

X96 Ketra Controller

- Used with Ketra's LS0 Lightbar Slim
- 96 W Class 2 power supply
- Clear Connect-Type X wireless communication for easy installation
- Mounts to standard 4 in x 4 in (101 mm x 101 mm) junction box
- Compatible in HomeWorks 16.0 or greater (HomeWorks QSX) and Athena systems (Coming in Phase 2)



ORDERING GUIDE

Please download this PDF to use the interactive drop down features of the ordering guide.

<u>HW-</u>	<u>X96-</u>	<u>X-</u>	<u>J1</u>
Product Line	Model	System	Enclosure and Region

Order code: _____

<u>Product Line</u>	<u>Code</u>	<u>System</u>	<u>Code</u>	<u>Enclosure and Region</u>	<u>Code</u>
Commercial (Athena compatible)	Coming in Phase 2	Clear Connect-Type X (CCX)	X-	Junction Box North American (120/277 V~ 60 Hz)	J1
Residential (HomeWorks compatible)	HW-				
<u>Model</u>					
96 W Linear Controller	X96-				

SPECIFICATIONS¹

Performance

Input Voltage	120/277 V~ 60 Hz
Output	21 V _{DC} 4.5 A 92 W Class 2
Power Factor	>0.9
Input Current	0.92 A @ 120 V~ 0.40 A @ 277 V~

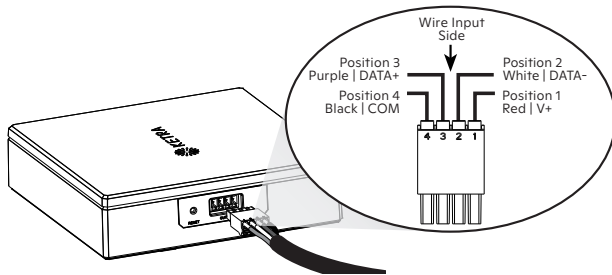
Dimensions

Length	5 in (127 mm)
Width	5 in (127 mm)
Height	1.30 in (33 mm)
Weight	1 lb (0.45 kg)

Environmental

Operating Temperature	0-40 °C (32 to 104 °F)
Storage Temperature	-20-80 °C (-4 to 176 °F)
Humidity	0-95%, Non-condensing
Location	UL Damp Location; not for use outdoors
Certification	UL, cUL, FCC Class A 277 V~, FCC Class B 120 V~

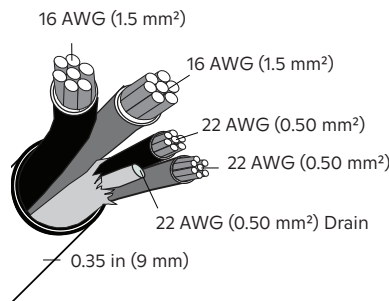
CONNECTIONS



Accessories and Connections

QS 4-conductor cable	QSH-CBLP-M-500, QSH-CBLP-L-500, QSH-CBL-M-500, QSH-CBL-L-500 Max. cable length 50 ft (15.24 m)
LSO Linear	Uniform Lens 250 lm/ft Max. fixture length 15 ft (4.9 m) (Coming in phase 2) Long Run 200 lm/ft Max. fixture length 24 ft (7.3 m) High Output 350 lm/ft Max. fixture length 15 ft (4.9 m)
Total Run Length	Max. cable length + max. fixture length
Max. number of LSO linear	8 fixture segments (per X96 power feed regardless of length)
Wireless Communication	Clear Connect-Type X

QSH-CBL(P)-M/L-500 CABLE



- Four conductors:
 - Common – 16 AWG (1.5 mm²)
 - Power – 16 AWG (1.5 mm²)
 - MUX Data – 22 AWG (0.50 mm²)
 - MUX Data – 22 AWG (0.50 mm²)
- Total outer jacket diameter: 0.26 in (6.6 mm)
- Another 4 cable conductor with similar specification can be used.
- For complete cable specifications, refer to Lutron's datasheets 369596 (plenum) and 369597 (non-plenum)

Important Note: The X96 and the N3 satellite are not interchangeable. The N3 satellite cannot be used with an LSO linear and an X96 cannot be used with G2, L31 or L4R linears.

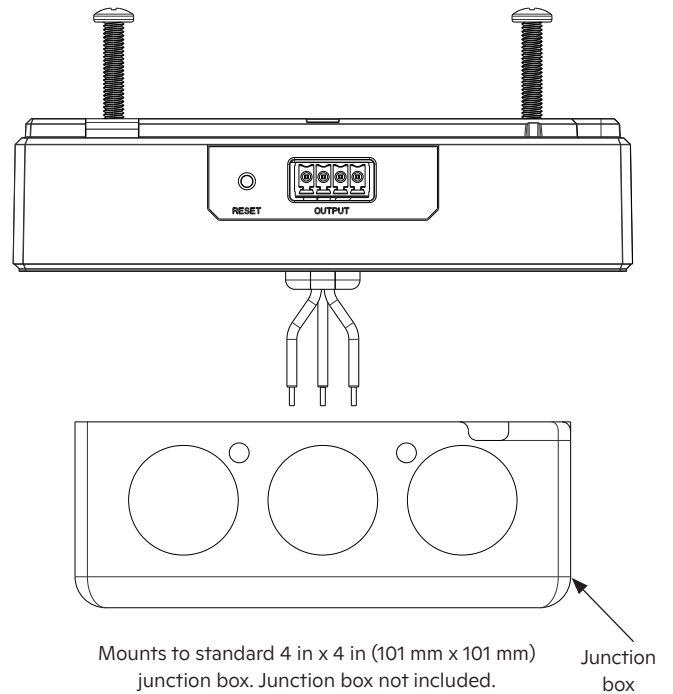
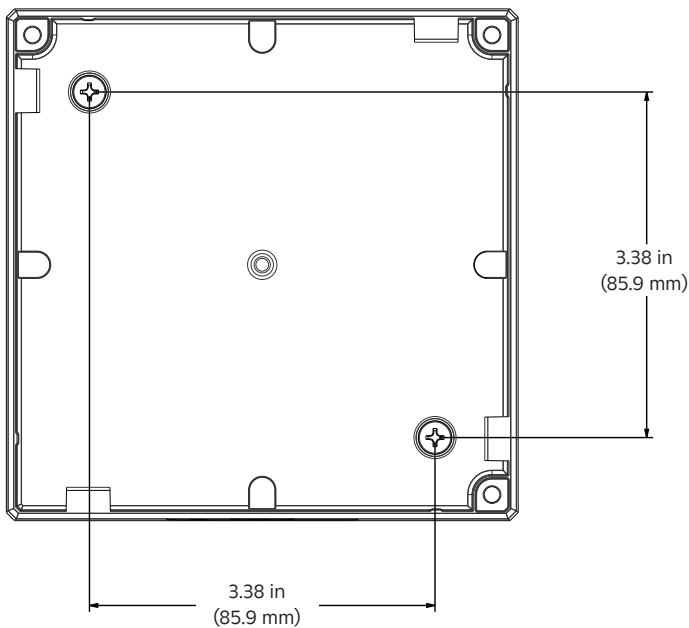
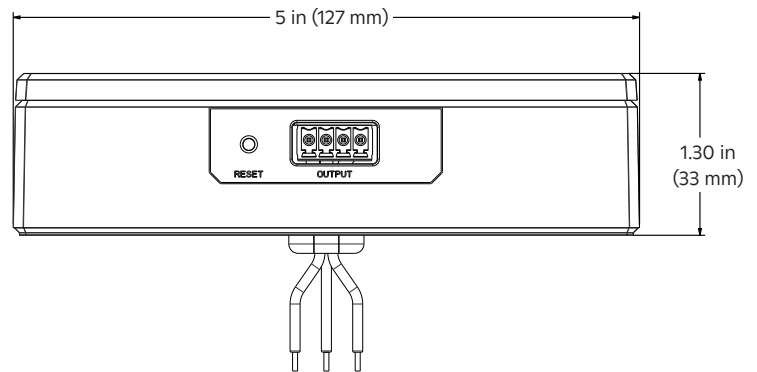
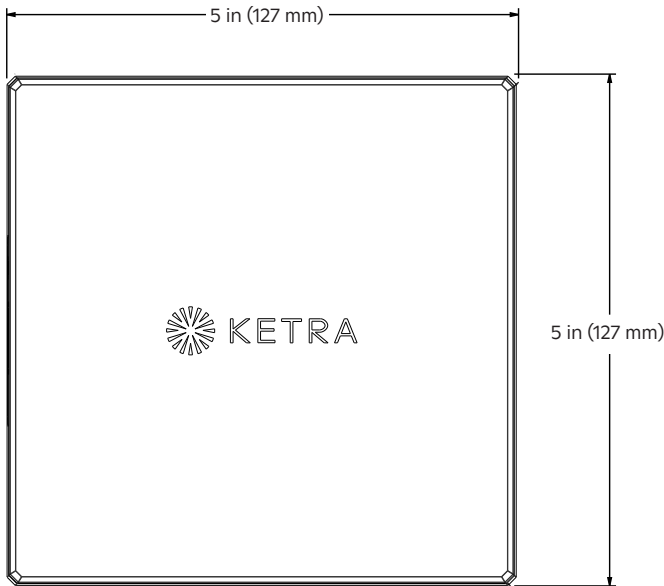
¹ Product includes on-board wireless radio for communications. Do not enclose in a metallic enclosure as it may impact radio performance.



KETRA X96 CONTROLLER

P/N 3662483 Rev B
Specifications are subject to change without notice

PRODUCT DIMENSIONS



The Ketra logo, Ketra, and KetraNet and Clear Connect are trademarks or registered trademarks of Lutron Electronics Co., Inc. in the US and/or other countries.