



Type _____
 Project _____
 Comments _____
 Prepared By _____

S38 Track Luminaire

Leverage the full feature set of Ketra's S38 LED Lamp
 Constant torque hinge provides 90° of tilt aiming at any increment, without the need for a mechanical lock
 365° of rotation eliminates any aiming shadows
 Optional optical accessories allow control of the beam and of Ketra's S38 with precision
 Configurable with industry standard track systems and conduit mount option



ORDERING GUIDE

	TA	S38		BT		11	G24			
Product Line	Series	Form Factor	Lumens	Platform/ Control	Beam Angle	Region/ Voltage	Base Type	Adapter Type	Housing Color	Accessory Type

Order code: _____

Product Line	Code	Platform/ Control	Code	Adapter Type	Code
Commercial	CM-	Wide Gamut, Tunable	BT	"H-Type" Compatible	H
Residential (Homeworks compatible)	HW-			½" NPT Canopy Mount	N
Model		Beam Angle		Housing Color	
Track Luminaire	TA	Spot (10°)	SP	White	WH
		Flood (25°)	FL	Black	BK
Form Factor		Wide Flood (40°)	WFL		
S38	S38	Very Wide Flood (60°)	VFL	Accessory Type	
Lumens				Short Snoot 55° cutoff	SNT55
900lm	09	Region/ Voltage		Tall Snoot 30° cutoff	SNT30
1100lm ¹	11	North America, 120VAC 60Hz	11	Hex Louver 45° cutoff, includes SNT55	LUV45
		Base Type		Baffle 15° cutoff, includes SNT30	BFL15
		GU24	G24	No Accessory	NA

¹ This option is not available for sale in California.



S38 TRACK LUMINAIRE

SPECIFICATIONS¹

Optical Performance

Lumen Output ²	900 lm/ 1100 lm
CRI (Ra) ³	>90 (R9 >90)
Lumen Maintenance ⁴	36,000 hours to L70 @ 25°C T _A
Color Spatial Uniformity	<2 MacAdam ellipses across field angle
Color Point Maintenance	<1 MacAdam ellipse over product lifetime
Equivalent Traditional Lamp	75W/ 100W halogen PAR38
Dimming Range ⁵	0.1-100% lm

Environmental

Operating Temperature (T _A) ⁶	0–50°C
Storage Temperature	-20–80°C
Humidity	0–95%, Non-condensing
Certification	UL, cUL, RoHS, FCC Class B
Location	UL Damp Location, IP20, Suitable for use in fully enclosed luminaires

Mechanical

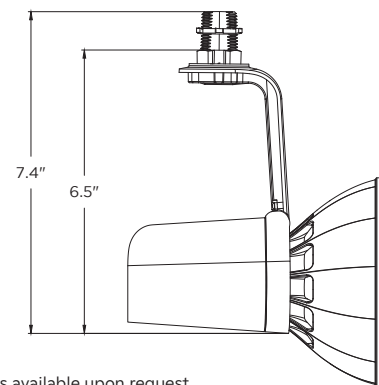
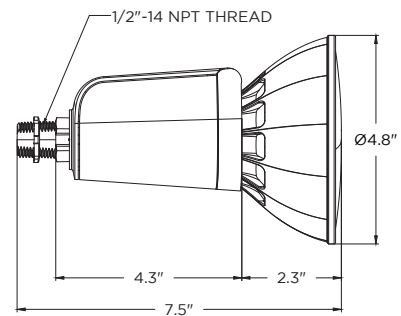
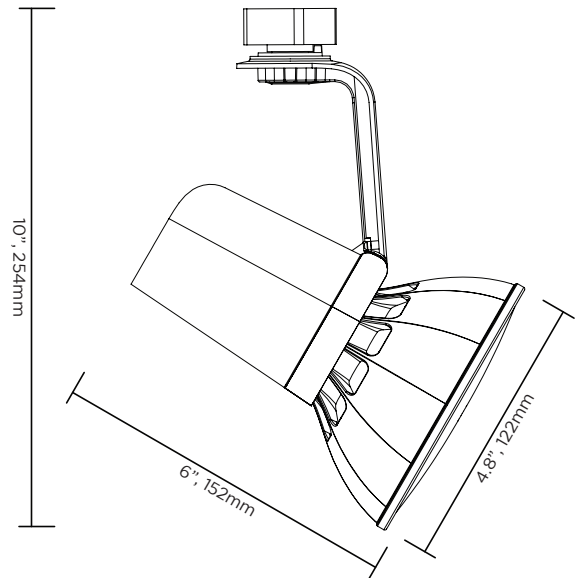
Weight	13.8 oz, 390 g
Housing Material	Powder Coated Aluminum, Polymer
Lens Material	Non-yellowing PMMA
Base Type	GU24

Electrical

Power Consumption	S38.09 13W/ S38.11 18W
Power Factor	>0.9
Current	170 mA Max
Efficacy	S38.09 69 lm/W / S38.11 62 lm/W

Accessories

S38 Accessory Snoot 30° cutoff, White	S38ASNT30WH
S38 Accessory Snoot 30° cutoff, Black	S38ASNT30BK
S38 Accessory Snoot 55° cutoff, White	S38ASNT55WH
S38 Accessory Snoot 55° cutoff, Black	S38ASNT55BK
S38 Accessory Louver 45° cutoff, White (Requires S38ASNT55)	S38ALUV45WH
S38 Accessory Louver 45° cutoff, Black (Requires S38ASNT55)	S38ALUV45BK
S38 Accessory Baffle 15° cutoff, White (Requires S38ASNT30)	S38ABFL15WH
S38 Accessory Baffle 15° cutoff, Black (Requires S38ASNT30)	S38ABFL15BK



CAD files available upon request

- All performance measurements taken at 3000K, 25°C ambient, 100% power input, unless otherwise stated.
- Lumen measurement complies with IES LM-79-08 testing procedures.
- See color gamut chart at the end of this document.
- Lumen maintenance values calculated in accordance to TM-21 procedures based on LM-80 compliant measurement data.
- Intensity and color point controlled via Ketra's wireless network.
- Suitable for use in fully enclosed luminaires.

770-000016-01 r 22

Specifications are subject to change without notice



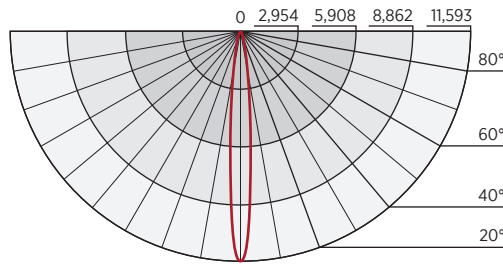
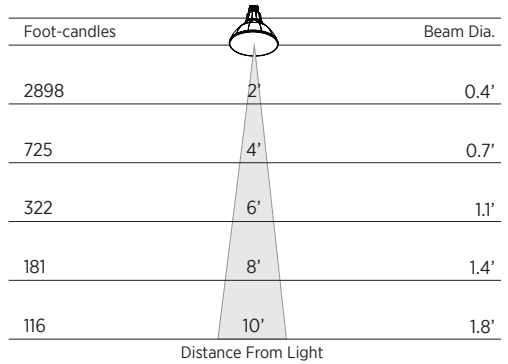
S38 TRACK LUMINAIRE

ISO FOOTCANDLE CHARTS: 2700 - 5000K VALUES ONLY

LM-79 compliant IES files available upon request.

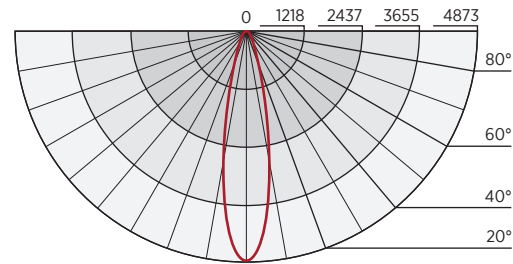
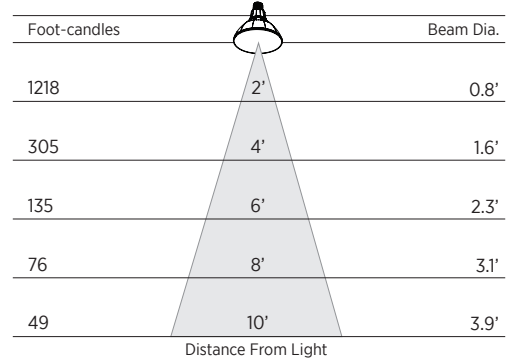
Beam Angle: 10° Spot (SP)

Product Code ¹	Wattage	Lumens	CBCP
S3811BTSP1E26WH	18W	1100	11,593



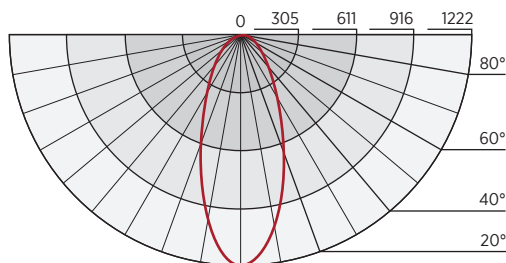
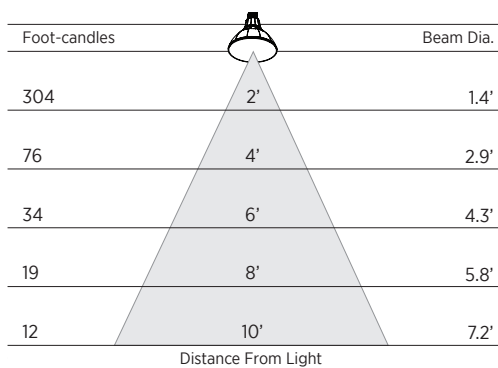
Beam Angle: 25° Flood (FL)

Product Code ¹	Wattage	Lumens	CBCP
S3811BTFL1E26WH	18W	1100	4873



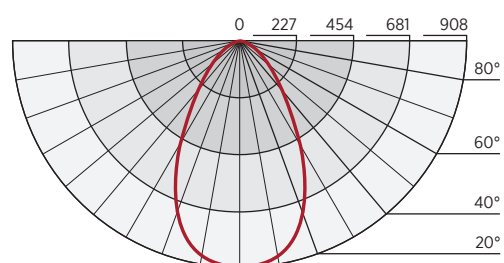
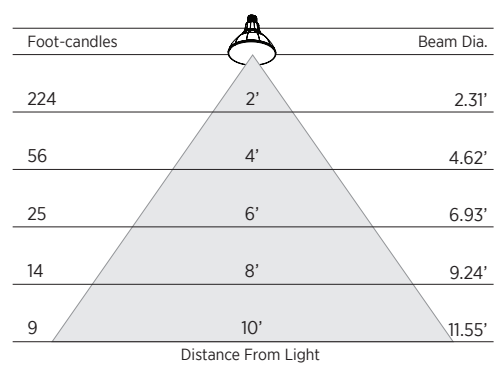
Beam Angle: 40° Wide Flood (WFL)

Product Code ¹	Wattage	Lumens	CBCP
S3811BTWFL1E26WH	18W	1100	1217



Beam Angle: 60° Very Wide Flood (VFL)

Product Code ¹	Wattage	Lumens	CBCP
S3811BTVFL1E26WH	18W	1100	818



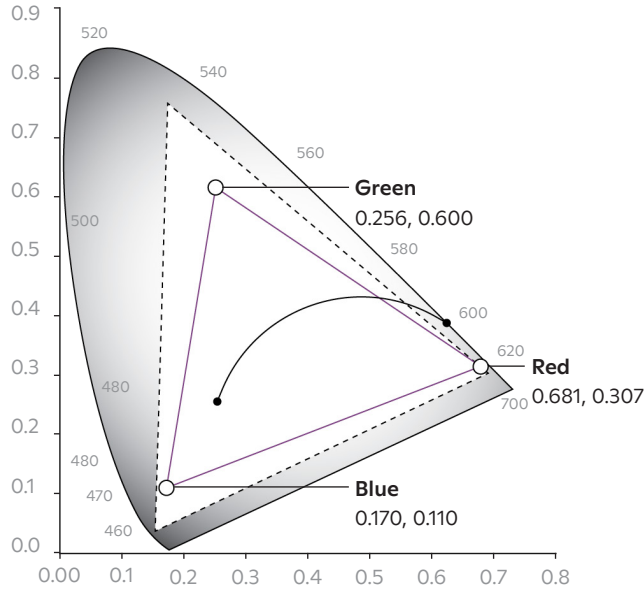
¹ This option is not available for sale in California.



S38 TRACK LUMINAIRE

WIDE GAMUT

CIE 1931 Color Chart



Ketra's tunable spectrum lamp can easily be configured via our intuitive Design Studio software tool. The product can reproduce any color point within the triangle shaped gamut indicated in the chart to the left. With Ketra's innovative optical and thermal feedback system, the color point is maintained to an accuracy of <1 MacAdam ellipse over the lifetime of the product and across operating temperature range.

— **Calibrated Gamut:** Color point is maintained to an accuracy of <1 MacAdam ellipse over the lifetime of the product and across operating temperature range .

- - - **Expanded Gamut:** Color calibration is relaxed such that each product produces the most saturated color it is capable of.

General Specifications

LED Track Luminaire shall employ closed loop optical and thermal feedback capable of maintaining color point accuracy of <1 MacAdam ellipse.

LED Track Luminaire shall have color spatial uniformity of <2 MacAdam ellipses over full field angle.

LED Track Luminaire shall have an integrated wireless control onboard.

LED Track Luminaire shall be capable of a CRI >90 at any point along the Black Body Curve from 2700 - 5000K.

LED Track Luminaire shall be a single source multi-die emitter consisting of both monochromatic and phosphor converted blue LED die.

LED Track Luminaire shall be sealed, meeting UL damp location and IP50 requirements.

LED Track Luminaire shall be lamped with GU24 base lamps.

LED Track Luminaire shall be UL listed and RoHS compliant.

LED Track Luminaire shall be capable of in situ firmware and software upgrades.

Ketra's LED Lamps are warrantied to be free from material defects in material and workmanship for five (5) years or 25,000 hours from date of shipment, whichever is less.

LED Track Luminaire shall be # _____

The Ketra logo and Ketra are trademarks or registered trademarks of Lutron Ketra, LLC, in the US and/or other countries

770-000016-01 r 22

Specifications are subject to change without notice