

N4 Hub

Enables control by Design Studio and the Ketra app

Seamless integration between KNets, allowing for installations with multiple N4s

Tabletop/wall-mounted and conduit-mounted mounting options

Ketra's N4 Hub forms a bridge between Ketra products and Ketra digital interfaces such as Design Studio and mobile app. With multiple N4s, a user can integrate KNets, allowing for seamless installations. With an Internet connection, the Hub can connect to Ketra's cloud servers to enable backup and remote maintenance functions.



ORDERING GUIDE

Product Line	N4 Model	14 Region/Voltage	Interface	BK Housing Color
--------------	----------	-------------------	-----------	------------------

Order code: _____

Product Line	Code	Interface	Code
Commercial	CM-	Table Top	TT
Residential (Homeworks compatible)	HW-	Conduit-Mounted	CND
Model		Housing Color	
N4 Hub	N4	Black	BK
Region & Voltage			
North America, 100-277VAC 50/60Hz	14		

PERFORMANCE SUMMARY

Environmental

Operating Temperature	-20° to 40°C
Storage Temperature	-20° to 80°C
Humidity	0 - 95%, Non-condensing
Certification	UL, cUL, FCC Class B, RoHS
Location ¹	UL Damp Location, IP20

Mechanical

Weight	9.5oz / 0.27kg
Housing Material	Polymer

Power

Voltage	100-277VAC50/60Hz *
Unit consumes 5W electrical power	
Current	0.041 Amps @ 120 VAC

* TT variant power cord (NEMA 1-15P/SPT-2) limited to 125VAC

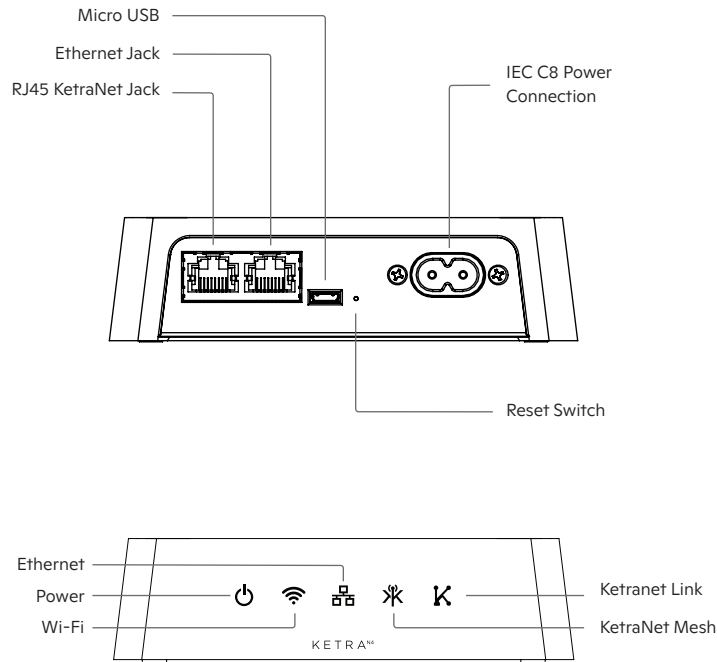
Enclosure & Connections

Connections (Class 1)

AC Power In (Table Top)	IEC C8 Power Connection
AC Power In (Conduit)	18 AWG Flying Leads

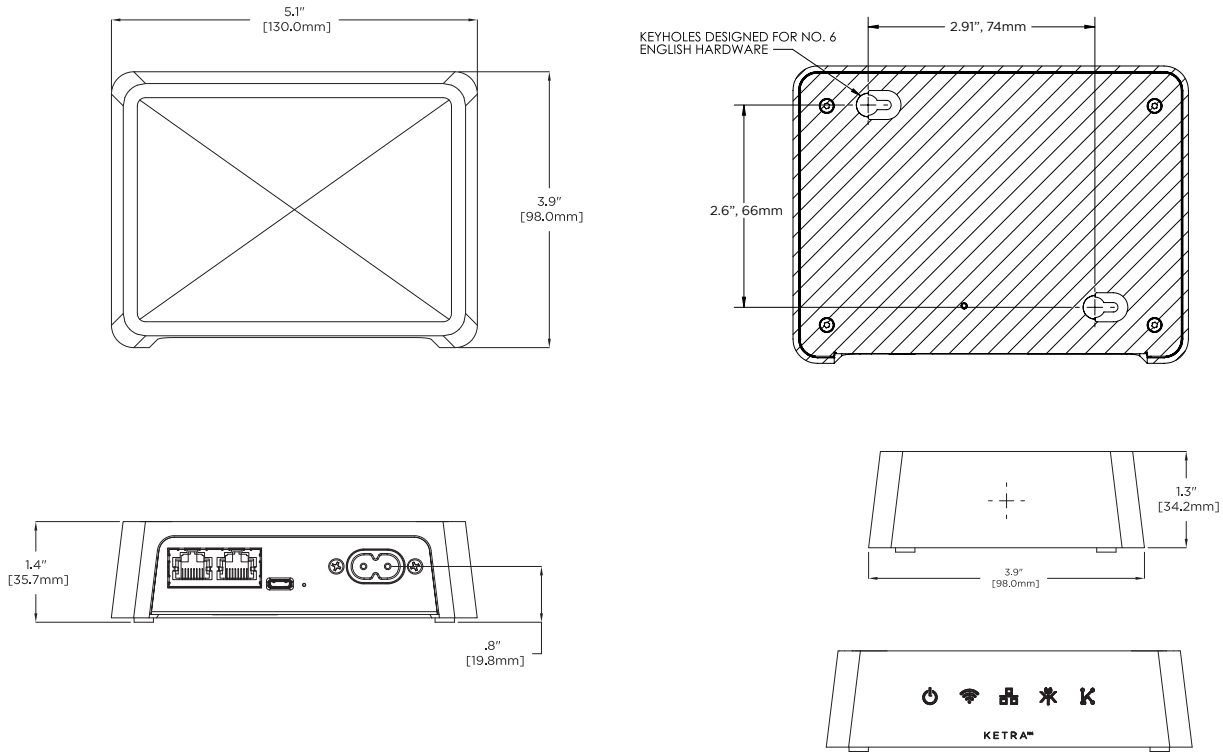
Connections (Class 1)

Connectivity Technology	Wireless, Wired
Data Link Protocol	Ethernet, Fast Ethernet, IEEE 802.11b, IEEE 802.11g
KetraNet Mesh™ Wireless	
USB Port	1 - Micro-B USB console port, for firmware updates

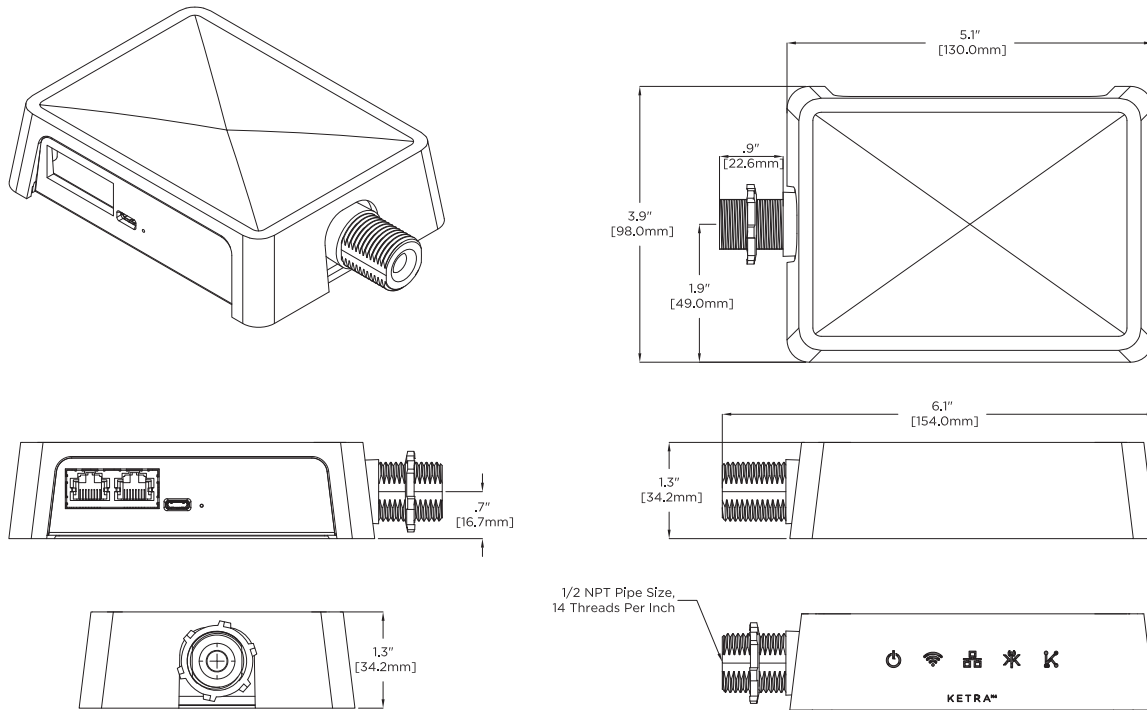


¹ Product includes on-board wireless radio for communications. Do not enclose in metallic enclosure as it may impact radio performance.

TABLE TOP



CONDUIT MOUNTED



The Ketra logo and KetraNet Mesh are trademarks or registered trademarks of Lutron Ketra, LLC, in the US and/or other countries

770-000024-01-r15

Specifications are subject to change without notice