

Type _____
 Project _____
 Comments _____
 Prepared By _____

N3 Satellite

Enables Ketra's luminaires to join the Ketra control network

Wireless network for easy installation

On-board content storage and astronomical time clock

Low voltage interface ports for interfacing with occupancy/vacancy and daylight sensors, 0-10V, contact closure, and DMX devices



ORDERING GUIDE

Product Line	N3IND Model	16 Region/ Voltage	Installation	BK Housing Color
--------------	-----------------------	---------------------------------	--------------	----------------------------

Order code: _____

Product Line	Code	Installation	Code
Commercial	CM-	Recessed Rated Housing	REC
Residential (Homeworks compatible)	HW-	Plenum Rated Housing	PLE
		Housing Color	
Model		Black	BK
N3 Satellite Link, Indoor	N3IND		
Region & Voltage			
North America, 100-277V 60Hz	16		

SPECIFICATIONS¹

Optical & Electrical Performance

Operating Temperature	-20 to 50°C
Storage Temperature	-20 to 80°C
Humidity	0 - 95%, Non-condensing
Certification	UL, cUL, FCC Class A, RoHS
Location ¹	UL Damp Location, IP20

Mechanical

Weight	2.93 lbs, 1.33 kg
Housing Material	Formed Steel, Polymer

Power

Load Ratings	Per Unit: 16Amps @ 120 VAC, 60 Hz (20 Amps de-rated to 80%)
Power Requirements	Unit consumes 5W electrical power Current: 041 Amps @ 120VAC
To compute total load, add 5W to sum of all connected luminaire power ratings.	
Voltage	120-277VAC 60Hz

Enclosure & Connections

Connections (Class 1)	
AC Power In (3 Conductor 100-277VAC 60Hz)	10-16AWG
AC Power Out (4 Conductor)	Standard Ketra Leader Cable or 10-16 AWG

Connections (Class 2)	
Multifunction I/O (4 channels)	16-24 AWG
Max Voltage per channel:	30 Volts DC

0-10V Input/Output

0-10V Sinking	
Max Current Per Channel:	100 mA
Max Total Current:	200 mA

0-10V Current Sourcing

Max Current Per Channel:	less than 5 uA
--------------------------	-----------------------

0-24V Input

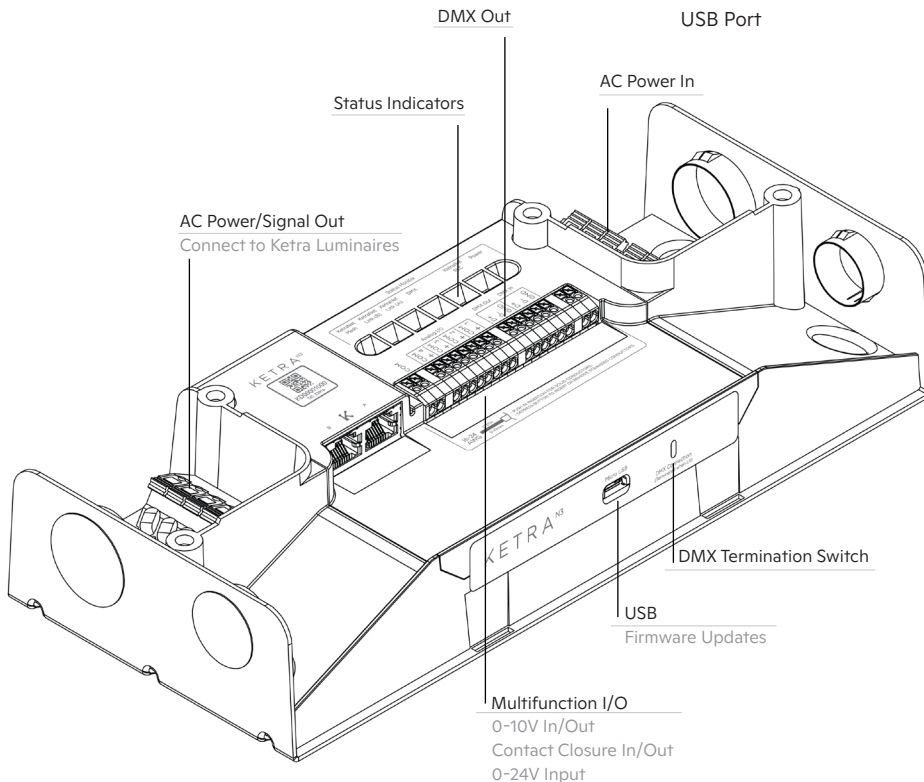
Voltage Range:	0 to 24 volts
----------------	----------------------

Contact closure mode

Maximum output sink current (per channel):	1.0 A
--	--------------

Full Universe of DMX Out
KetraNet Mesh™ Wireless
USB Port

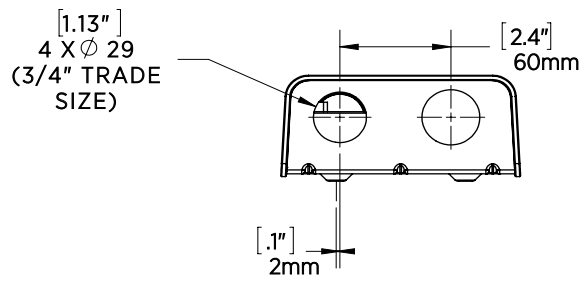
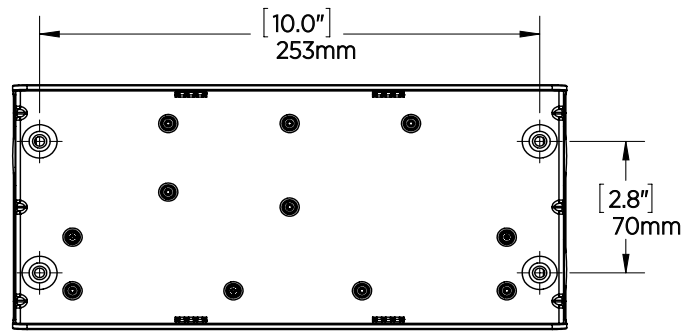
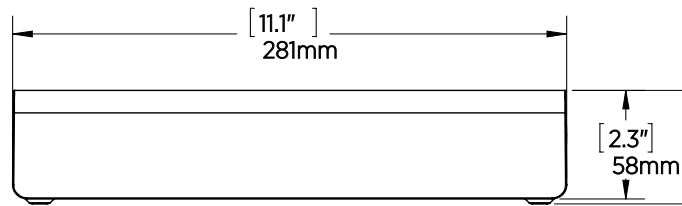
**1 - Micro-B USB console port,
for firmware updates**



Note: USB port not accessible with cover installed. Allow clearance around product for access after installation

¹ Product includes on-board wireless radio for communications. Do not enclose in metallic enclosure as it may impact radio performance.

PRODUCT DIMENSIONS



The Ketra logo and KetraNet Mesh are trademarks or registered trademarks of Lutron Ketra, LLC, in the US and/or other countries

770-000005-01-r38

Specifications are subject to change without notice