

Type _____
 Project _____
 Comments _____
 Prepared By _____

D3 Wall Wash, Square

Tunable fixture produces a wide range of 90+ CRI/R9 whites from 1400K-10,000K, as well as pastels and saturated colors

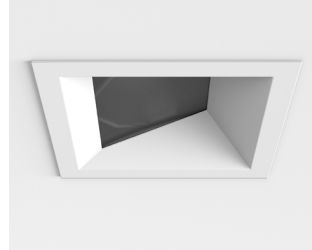
Closed-loop color point maintenance to <1 MacAdam ellipse over lifetime and temperature

Integrated temperature protection maintains safe operating conditions

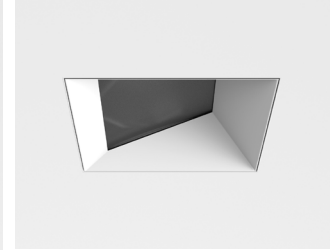
Wirelessly dimmable to 0.1%

On-board wireless control enables individual addressability and control

Flanged



Mud-in



ORDERING GUIDE

Housing

		BT	
Product Line	Fixture & Trim	Wattage	Platform & Control
WW		NCIC	SP
Beam Angle	Region & Voltage	Housing Type	Shipping Option

Order code: _____

Product Line	Code	Beam Angle	Code
Commercial	CM-	Wall Wash	WW
Residential (Homeworks compatible)	HW-		
Fixture & Trim		Voltage/Region	
D3 Wall Wash, Square	D3WWSQ	120VAC 60Hz, North America	11
D3 Wall Wash, Square Mud-in	D3WWSM	277VAC 60 Hz, North America	12
Wattage		Housing Type	
9 Watts	09	New Construction, IC/Airtight	NCIC
13 Watts	13	Shipping Option	
18 Watts	18	Single Pack	SP
Platform/Control		(Default, ships with Butterfly Brackets & 24" Nailer Bars to be installed in field)	
Wide Gamut, Tunable	BT		

Trim

UN-		
Product Line		
	W	
Model	Trim Color	Trim Accessory

Order code: _____

Product Line	Code
Universal	UN-
Model	
D3 Square Wall Wash	D3TFSW1
*Not compatible with D3WWSM housing	
D3 Square Flangeless Wall Wash ²	D3TXSW1
**Not compatible with D3WWSQ housing	
Trim Color	
White	WH
Black	BK
Trim Accessory²	
Wall Wash	W

¹ Downlight is wet location rated.

² Flangeless trim not compatible with wood or stone ceilings.



D3 WALL WASH SQUARE

SPECIFICATIONS¹

Optical & Electrical Performance

Delivered Lumen Output ²			
Beam Angle (1" recess)	9W	13W	18W
Wall Wash	414lm	573lm	705lm
CRI (Ra)	>90 (R9>90) 2400K-5000K TYP		
Lumen Maintenance ⁴	50,000 hours to L70 @ 25°C T_A		
Color Spatial Uniformity ³	<2 MacAdam ellipses across field angle		
Color Point Range ⁴	1400°K–10,000°K, Fully Saturated, & Pastel		
Equivalent Traditional Lamp	75W halogen		
Dimming Range ⁴	0.1–100% lm		
Power consumption	D3.09 9W D3.13 13W D3.18 18W		
Voltage	120VAC 60Hz 277VAC 60Hz		
Power Factor	>0.9		
Inrush Current ⁵	800mA, 0.2 mS duration		
Delivered Efficacy			
Beam Angle (1" recess)	9W	13W	18W
Wall Wash	46lm/W	44lm/W	39lm/W
Surge Protection	2.5KV		
Control Protocol	KetraNet Mesh		

Environmental

Operating Temperature (T _A)	0 - 40°C
Storage Temperature	-20 - 80°C
Humidity	0 - 95%, Non-condensing
Certification	UL, cUL, 120V: FCC Class B, 277V: FCC Class A
Location	UL Wet Location

Mechanical

Mounting Options	Hanger Bars/ Butterfly Brackets
Field Replaceable Optics	Yes
Field Replaceable Light Engine	Yes
Field Replaceable Power Supply	Yes
Housing Material	Powder Coated Steel, Polymer
Lens Material	Glass

Dimensions

Ceiling Square Cut-out	4" Flanged; 5.5" Mud-in
Trim Outside Dimension	4.63" Flanged; 3.75" Mud-in
Trim Thickness	1/16"
Optics Outside Dimension	2.5"
Trim Depth	1"
Ceiling Thickness	0.625" – 1.5"
Aiming	Tilt Fixed at 20° 364° Rotation
Service Position	Tilt to 40° Full 364° Rotation
Emitter Vertical Adjustment (tool-free)	0.75"
Housing Vertical Adjustment via Butterfly Bracket	1.75"
Housing Height	3.50"
Housing Length	18.38"
Housing Width	10"
Unit Weight	7.75 lb

¹ All performance measurements taken with 1" trim, with light engine at nadir at the low regress position, at 3000K, 25°C ambient, 100% power input, unless otherwise stated.

² Lumen measurement complies with IES LM-79-08 testing procedures.

³ Lumen maintenance values calculated in accordance to TM-21 procedures based on LM-80 compliant measurement data.

⁴ Intensity and color point controlled via Ketra's wireless network.

⁵ For more information on inrush current, refer to Ketra's Inrush App Note in the Support section of our website.

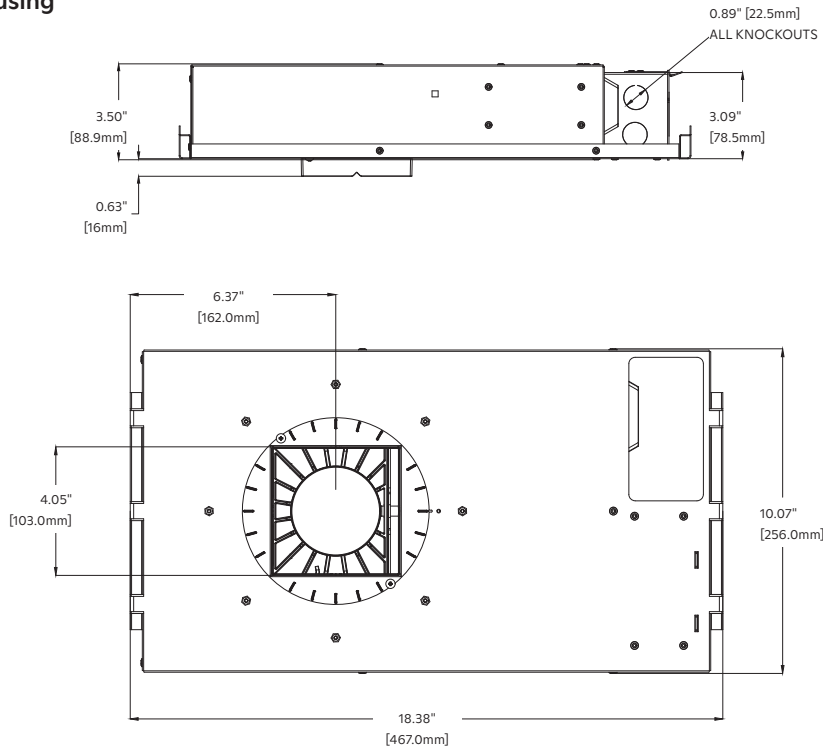
* For Title 24 and Title 20 compliant model numbers or for more information, please contact Customer Service at ketrasupport@lutron.com or 844.588.6445.



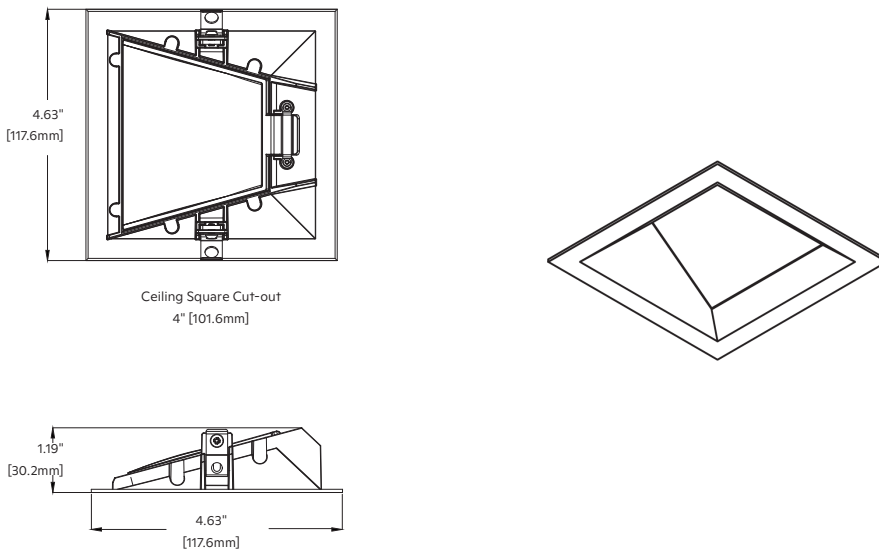
D3 WALL WASH SQUARE

PRODUCT DIMENSIONS

Flanged Housing



Flanged Trim



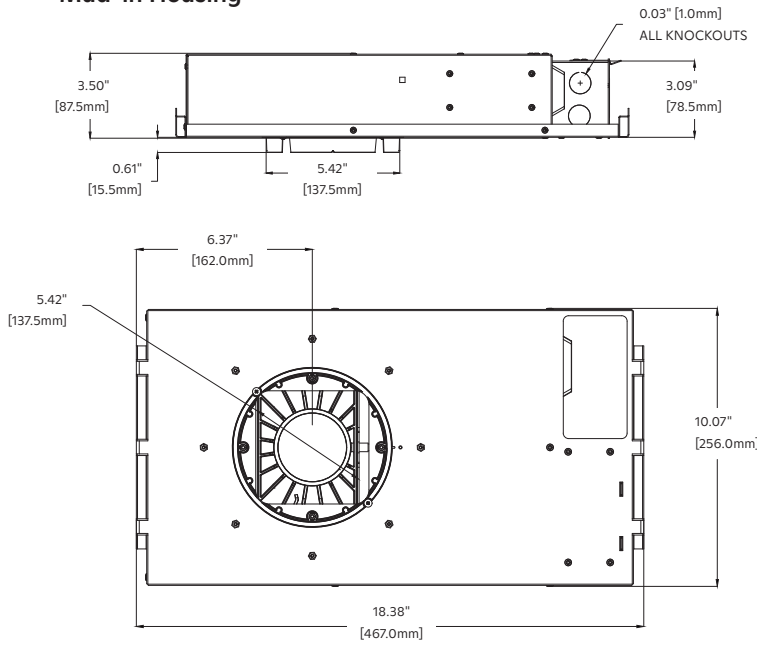
770-000028-06 r19
Specifications are subject to change without notice



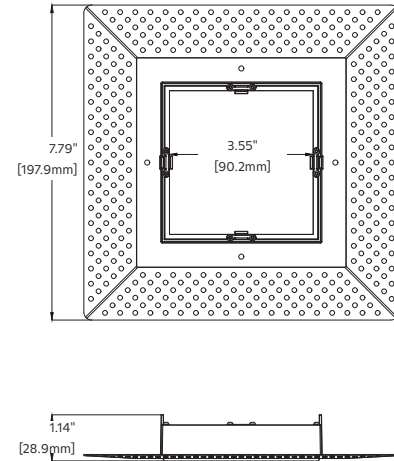
D3 WALL WASH SQUARE

PRODUCT DIMENSIONS

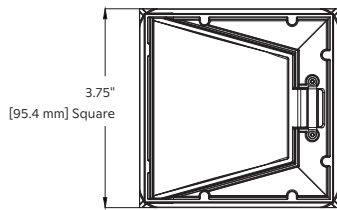
Mud-in Housing



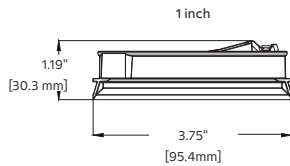
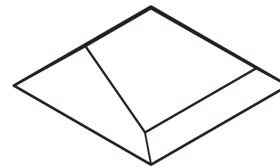
Mud-in Trim Retainer



Mud-in Trim



Ceiling Square Cut-Out
5.5" [139.7 mm]



770-000028-06 r19

Specifications are subject to change without notice



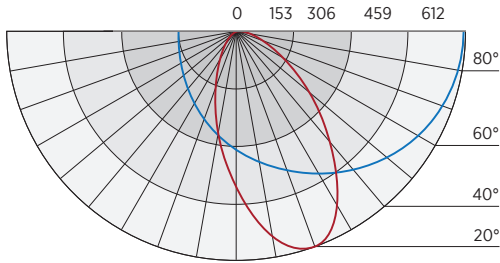
D3 WALL WASH SQUARE

ISO FOOTCANDLE CHARTS: 2700 - 5000K VALUES ONLY, DELIVERED LUMENS

LM-79 compliant IES files available upon request.

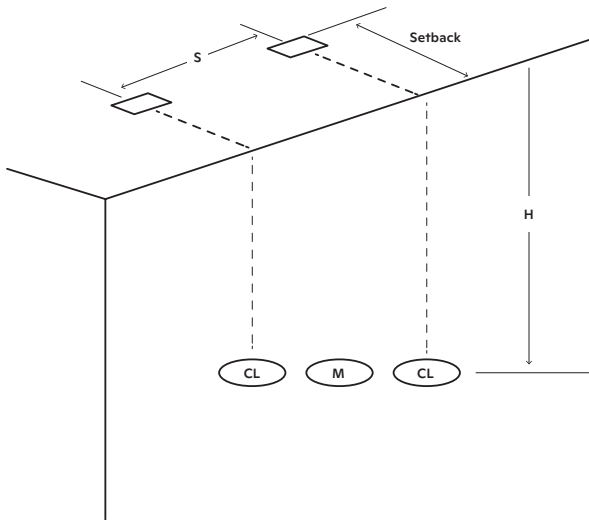
Beam Angle: Wall Wash

Product Code	Wattage	Lumens
D3WWSQ18BTWW	18W	1092



- 1 Vertical plane through horizontal angles (0-180) (through max. cd.)
- 2 Horizontal cone through vertical angle (20) (through max. cd.)

MULTIPLE UNITS DIAGRAM



2' from wall ("Setback")	2' on Center (S)			3' on Center (S)			4' on Center (S)		
	CL	M	CL	CL	M	CL	CL	M	CL
Distance from Ceiling (H)									
1'	30	29	30	21	20	21	17	14	17
2'	42	43	43	30	30	30	24	21	24
3'	43	45	45	32	31	31	25	23	25
4'	35	36	36	26	26	25	20	20	20
5'	25	26	27	20	19	19	15	15	15
6'	18	19	20	15	15	14	12	12	11
7'	14	14	15	11	11	11	9	9	9
8'	10	11	11	9	9	9	7	7	7
9'	8	9	9	7	7	7	6	6	6
10'	7	7	7	6	6	6	5	5	5

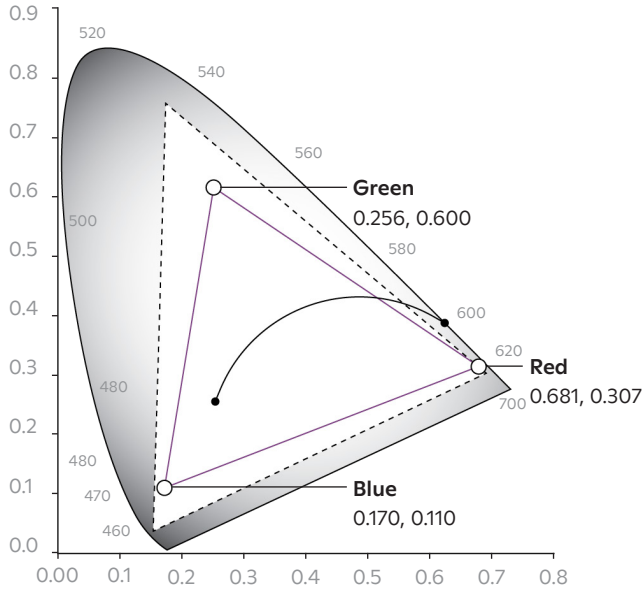
3' from wall ("Setback")	2' on Center (S)			3' on Center (S)			4' on Center (S)		
	CL	M	CL	CL	M	CL	CL	M	CL
Distance from Ceiling (H)									
1'	14	15	15	11	11	11	9	8	9
2'	24	25	25	18	18	18	14	13	14
3'	30	31	31	22	23	23	18	16	18
4'	29	30	31	22	23	23	18	16	18
5'	25	26	26	19	20	20	16	14	16
6'	20	21	21	16	16	17	13	12	13
7'	16	17	17	13	14	14	11	10	11
8'	13	14	14	11	11	11	9	8	9
9'	11	11	11	9	10	10	8	7	8
10'	9	9	9	8	8	8	7	6	7

¹ Calculated with five luminaires. Reflectances: 80, 50, 20.

² Values are rounded to the nearest footcandle.

770-000028-06 r19

Specifications are subject to change without notice

WIDE GAMUT
CIE 1931 Color Chart


Ketra's D3 LED Downlight can easily be configured via Ketra's intuitive Design Studio software. The product can reproduce any color point within the triangle shaped gamut indicated in the chart to the left. With Ketra's innovative optical and thermal feedback system, the color point is maintained to an accuracy of <1 MacAdam ellipse over the lifetime of the product and across operating temperature range.

— **Calibrated Gamut:** Color point is maintained to an accuracy of <1 MacAdam ellipse over the lifetime of the product and across operating temperature range .

----- **Expanded Gamut:** Color calibration is relaxed such that each product produces the most saturated color it is capable of.

General Specifications

LED downlight shall employ closed loop optical and thermal feedback capable of maintaining color point accuracy of <1 MacAdam ellipse.

LED downlight shall have color spatial uniformity of <2 MacAdam ellipses over full field angle.

LED downlight shall have an integrated wireless control onboard.

LED downlight shall be capable of a CRI >90 at any point along the Black Body Curve from 2700 - 5000K.

LED downlight shall be a single source multi-die emitter consisting of both monochromatic and phosphor converted blue LED die.

LED downlight shall be sealed, meeting UL damp location requirements.

LED downlight shall be dimmable to 0.1% of measured luminous flux with wireless dimming.

LED downlight shall be UL listed and RoHS compliant.

LED downlight shall be capable of in situ firmware and software upgrades.

Ketra's LED D3 downlight is warrantied to be free from material defects in material and workmanship for five (5) years or 25,000 hours from date of shipment, whichever is less.

LED Downlight shall be # _____



D3 WALL WASH SQUARE

TROUBLESHOOTING

The D3 uses built-in tests to check wiring and wireless connectivity. These tests run each time the D3 turns on, and may take several minutes.

Note: The D3 will NOT run these tests while provisioned to a Design Studio installation.

If the D3 finds a problem, it will let you know by emitting a corresponding color or, if no emitter is connected, by flashing the indicator lights on its power supply.

DIAGNOSTIC COLORS (REQUIRES EMITTER)

The D3 will emit a color to tell you the type of problem.

Product Code	Wattage	Lumens
Red	Invalid input voltage on the power line	Ensure the input voltage matches the expected voltage for the D3's model.
Magenta	Poor wireless connectivity	Ensure that the D3 is not in a metal enclosure and that there are no significant obstructions between the D3 and other Ketra devices. Note: In some circumstances, magenta is expected.
Yellow	Fair wireless connectivity	Ensure that the D3 is not in a metal enclosure and that there are no significant obstructions between the D3 and other Ketra devices.

The Ketra logo and KetraNet Mesh are trademarks or registered trademarks of Lutron Ketra, LLC, in the US and/or other countries

770-000028-06 r19

Specifications are subject to change without notice