

Type \_\_\_\_\_  
 Project \_\_\_\_\_  
 Comments \_\_\_\_\_  
 Prepared By \_\_\_\_\_

## D4 Retrofit Downlight

- Integrated appearance with 4" aperture
- Adjustable regress depth
- Supports multiple ceiling types
- Fully-tunable spectrum delivers white light, pastels and saturated color
- Lifetime color-point maintenance to within 1 MacAdam ellipse



### ORDERING GUIDE

Product Line	D4R	FXRD	Regress Depth	Baffle	BT	Beam Angle	11	Trim Color
	Model	Fixture Style/ Shape			Platform/ Control		Region/ Voltage	

SP
Power/Housing Rating

Order code: \_\_\_\_\_

Product Line	Code	Baffle	Code	Region/ Voltage	Code
Commercial	<b>CM-</b>	No Baffle (for flush 0" regress)	<b>NA</b>	North America, 120V 60Hz	<b>11</b>
Residential (Homeworks compatible)	<b>HW-</b>	White Baffle	<b>WH</b>		
		Black Baffle	<b>BK</b>		
Model		Platform/ Control		Trim Color	
4" Retrofit Downlight	<b>D4R</b>	Wide Gamut, Tunable	<b>BT</b>	White	<b>WH</b>
				Black	<b>BK</b>
Fixture Style/ Shape		Beam Angle		Power/ Housing Rating	
Fixed Round	<b>FXRD</b>	Spot (15°)	<b>15</b>	13W, Plenum, Air Tight	<b>13PLEN</b>
		Flood (25°)	<b>25</b>	8.5W, ICAT	<b>08ICAT</b>
		Wide Flood (40°)	<b>40</b>		
		Very Wide Flood (60°)	<b>60</b>		
		Extra Wide Flood (90°)	<b>90</b>		
Regress Depth		Packaging			
No Baffle (0")	<b>00</b>	Single Pack	<b>SP</b>		
Half Inch (0.5")	<b>05</b>				
One Inch (1")	<b>10</b>				
Two Inch (2")	<b>20</b>				

770-000035-01 r23  
 Specifications are subject to change without notice



## D4R DOWNLIGHT

CAD files available upon request

### SPECIFICATIONS<sup>1</sup>

#### Optical & Electrical Performance

Lumen Output <sup>2</sup>	<b>D4R.13PLEN 800lm</b> <b>D4R.08ICAT 600lm</b>
CRI (Ra) <sup>3</sup>	<b>&gt;90 (R9 &gt;90)</b>
Lumen Maintenance <sup>3</sup>	<b>50,000 hours to L70 @ 25°C T<sub>A</sub></b>
Color Spatial Uniformity	<b>&lt;2 MacAdam ellipses across field angle</b>
Color Point Maintenance <sup>3</sup>	<b>&lt;1 MacAdam ellipse over product lifetime</b>
Dimming Range <sup>4</sup>	<b>0.1-100% Im</b>

#### Environmental

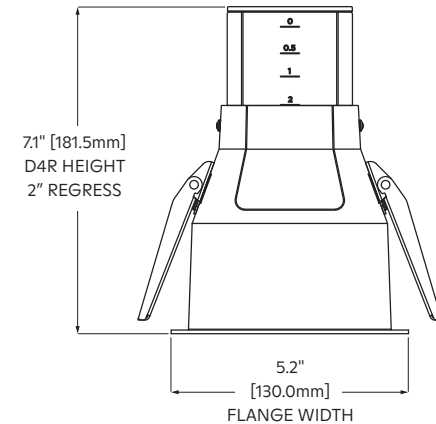
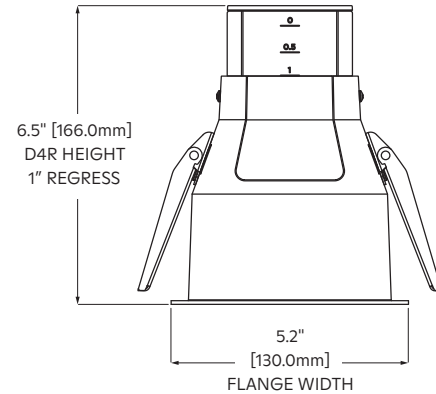
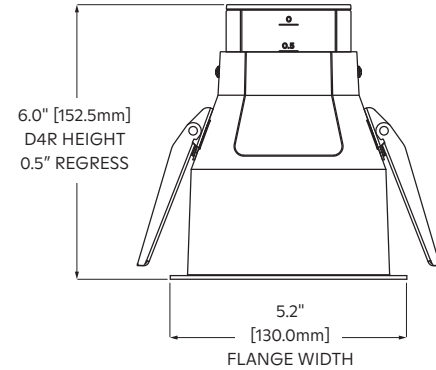
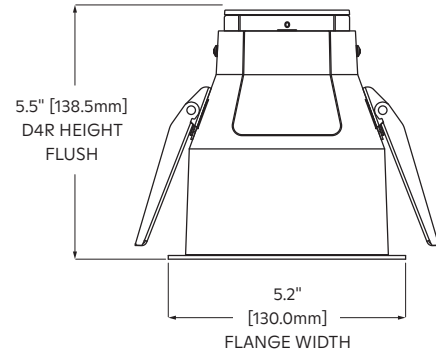
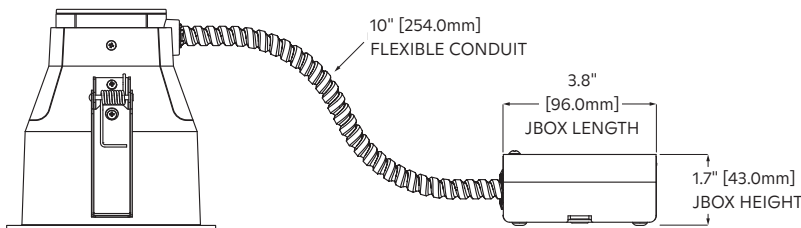
Operating Temperature	<b>0 to 50°C</b>
Storage Temperature	<b>-20 - 80°C</b>
Humidity	<b>0 - 95%, Non-condensing</b>
Certification	<b>UL, cUL, RoHS, FCC Class B</b>
Location	<b>UL Damp Location, IP20, Plenum &amp; IC-rated versions are airtight, &amp; Plenum-rated must be used only in non-insulation contact locations</b>

#### Mechanical

Weight	<b>2.65lbs, 1200 g</b>
Housing Material	<b>Powder Coated Aluminum, ABS Plastic, Corrosion Protected Steel</b>
Lens Material	<b>UL F1 outdoor rating for UV and water contact PMMA</b>

#### Electrical

Power consumption	<b>D4R.13PLEN 13W</b> <b>D4R.08ICAT 08.5W</b>
Power Factor	<b>&gt;0.9</b>
Current	<b>142 mA Max</b>
Efficacy <sup>1</sup>	<b>D4R.08 75 lm/W</b> <b>D4R.13 62 lm/W</b>



<sup>1</sup> All performance measurements taken at 1" regress depth, 3000K, 25°C ambient, 100% power input, with a white baffle, unless otherwise stated.  
<sup>2</sup> Lumen measurement complies with IES LM-79-08 testing procedures.  
<sup>3</sup> Lumen maintenance values calculated in accordance to TM-21 procedures based on LM-80 compliant measurement data.  
<sup>4</sup> Intensity and color point controlled via Ketra's wireless network  
 \* For Title 24 and Title 20 compliant model numbers or for more information, please contact Customer Service at sales@ketra.com or 512.872.4349

770-000035-01 r23

Specifications are subject to change without notice



# D4R DOWNLIGHT

## COMPONENT ORDERING GUIDE

### Replacement Light Engine

<b>UN-</b>	<b>D4R</b>	<b>LE</b>		<b>11</b>		
Product Line	Model	Component	Beam Angle	Region/ Voltage	Color	Power/Housing Rating

Order code: \_\_\_\_\_

<b>Product Line</b>	<b>Code</b>	<b>Region &amp; Voltage</b>	<b>Code</b>
Universal	<b>UN-</b>	North America, 120V 60Hz	<b>11</b>
<b>Model</b>	<b>Code</b>	<b>Color</b>	
4" Retrofit Downlight	<b>D4R</b>	White	<b>WH</b>
		Black	<b>BK</b>
<b>Component</b>	<b>Code</b>	<b>Power &amp; Housing Rating</b>	
Light Engine	<b>LE</b>		
<b>Beam Angle</b>			
Spot (15°)	<b>15</b>	13W, Plenum	<b>13</b>
Flood (25°)	<b>25</b>	8W, ICAT	<b>08</b>
Wide Flood (40°)	<b>40</b>		
Very Wide Flood (60°)	<b>60</b>		
Extra Wide Flood (90°)	<b>90</b>		

### Replacement Baffle

<b>UN-</b>	<b>D4R</b>	<b>BF</b>	<b>RD</b>		
Product Line	Model	Component	Baffle Shape	Regress Depth	Color

Order code: \_\_\_\_\_

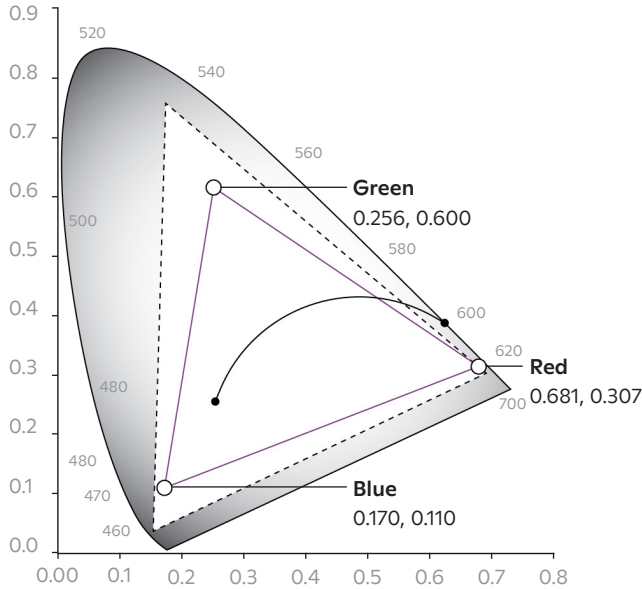
<b>Product Line</b>	<b>Code</b>	<b>Baffle Shape</b>	<b>Code</b>
Universal	<b>UN-</b>	Round	<b>RD</b>
<b>Model</b>	<b>Code</b>	<b>Regress Depth</b>	
4" Retrofit Downlight	<b>D4R</b>	Half Inch (0.5")	<b>05</b>
		One inch (1")	<b>10</b>
		Two Inch (2")	<b>20</b>
<b>Component</b>	<b>Code</b>	<b>Color</b>	
Baffle	<b>BF</b>		
		Black	<b>BK</b>
		White	<b>WH</b>



## D4R DOWNLIGHT

### WIDE GAMUT

#### CIE 1931 Color Chart



Ketra's D4R LED Downlight can easily be configured via Ketra's intuitive Design Studio software. The product can reproduce any color point within the triangle shaped gamut indicated in the chart to the left. With Ketra's innovative optical and thermal feedback system, the color point is maintained to an accuracy of <1 MacAdam ellipse over the lifetime of the product and across operating temperature range.

— **Calibrated Gamut:** Color point is maintained to an accuracy of <1 MacAdam ellipse over the lifetime of the product and across operating temperature range .

- - - - **Expanded Gamut:** Color calibration is relaxed such that each product produces the most saturated color it is capable of.

#### General Specifications

LED downlight shall employ closed loop optical and thermal feedback capable of maintaining color point accuracy of <1 MacAdam ellipse.

LED downlight shall have color spatial uniformity of <2 MacAdam ellipses over full field angle.

LED downlight shall have an integrated wireless control onboard.

LED downlight shall be capable of a CRI >90 at any point along the Black Body Curve from 2700 - 5000K.

LED downlight shall be a single source multi-die emitter consisting of both monochromatic and phosphor converted blue LED die.

LED downlight shall be sealed, meeting UL damp location requirements.

LED downlight shall be dimmable to 0.1% of measured luminous flux with wireless dimming.

LED downlight shall be UL listed and RoHS compliant.

LED downlight shall be capable of in situ firmware and software upgrades.

Ketra's LED D4R Downlight is warrantied to be free from material defects in material and workmanship for five ( 5 ) years or 25,000 hours from date of shipment, whichever is less.

LED Downlight shall be # \_\_\_\_\_

The Ketra logo and Ketra are trademarks or registered trademarks of Lutron Ketra, LLC, in the US and/or other countries.

770-000035-01 r23

Specifications are subject to change without notice