

KETRA

D4R RETROFIT DOWNLIGHT

Type: _____
 Project: _____
 Comments: _____
 Prepared By: _____



Integrated appearance with 4" aperture

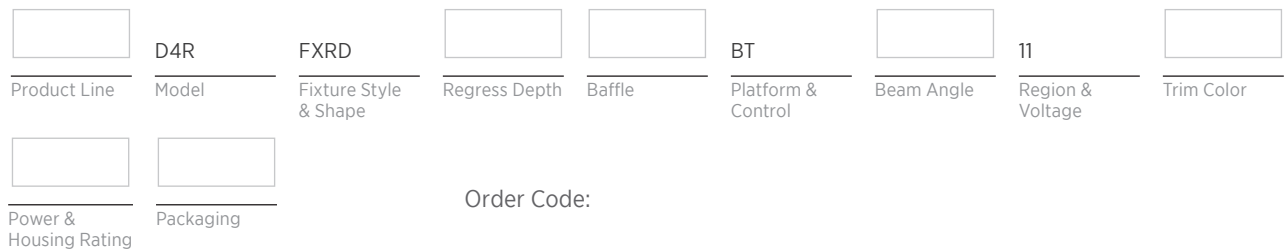
Adjustable regress depth

Supports multiple ceiling types

Fully-tunable spectrum delivers white light, pastels and saturated color

Lifetime color-point maintenance to within 1 MacAdam ellipse

HARDWARE ORDERING GUIDE



Order Code:

Product Line	Code	Baffle	Code	Region/ Voltage	Code
Commercial	CM-	No Baffle (for flush 0" regress)	NA	North America, 120V 60Hz	11
Residential (Homeworks compatible)	HW-	White Baffle	WH	Trim Color	
		Black Baffle	BK	White	WH
				Black	BK
Model		Platform & Control		Power/ Housing Rating	
4" Retrofit Downlight	D4R	Wide Gamut, Tunable	BT	13W, Plenum, Air Tight	13PLEN
				8.5W, ICAT	08ICAT
Fixture Style		Beam Angle		Packaging	
Fixed	FX	Spot (15°)	15	Single Pack	SP
Fixture Shape		Flood (25°)	25	Bulk Pack (6 fixtures)	BP
Round	RD	Wide Flood (40°)	40	Job Pack (Pallet)	JP
Regress Depth		Very Wide Flood (60°)	60		
No Baffle (0")	00	Extra Wide Flood (90°)	90		
Half Inch (0.5")	05				
One inch (1")	10				
Two Inch (2")	20				

770-000035-01 r17
 Specifications are subject to change without notice

SPECIFICATIONS¹

OPTICAL & ELECTRICAL PERFORMANCE

Lumen Output ²	D4R.13PLEN 800lm D4R.08ICAT 600lm
CRI (Ra) ³	>90 (R9 >90)
Lumen Maintenance ³	50,000 hours to L70 @ 25°C TA
Color Spatial Uniformity	<2 MacAdam ellipses across field angle
Color Point Maintenance ³	<1 MacAdam ellipse over product lifetime
Dimming Range ⁴	0.1-100% lm

ENVIRONMENTAL

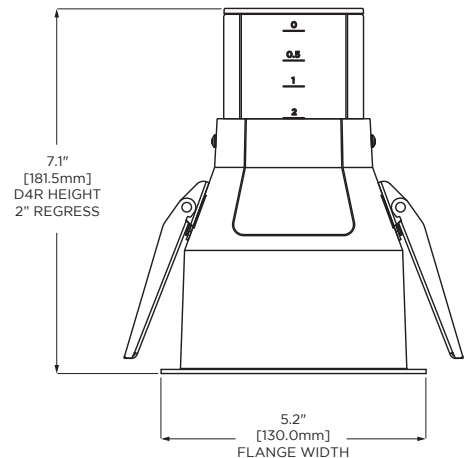
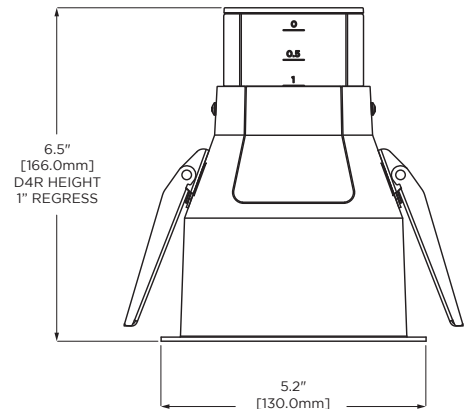
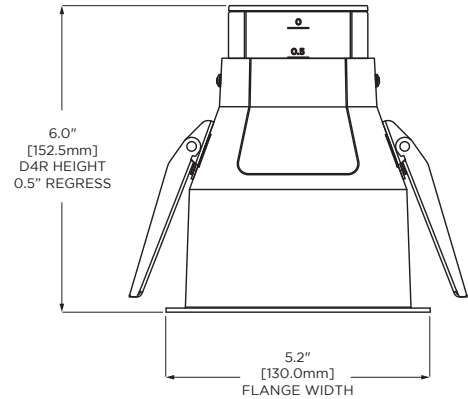
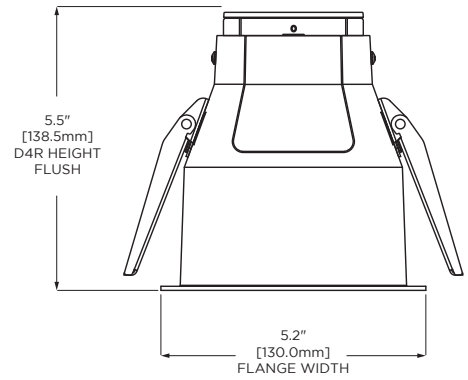
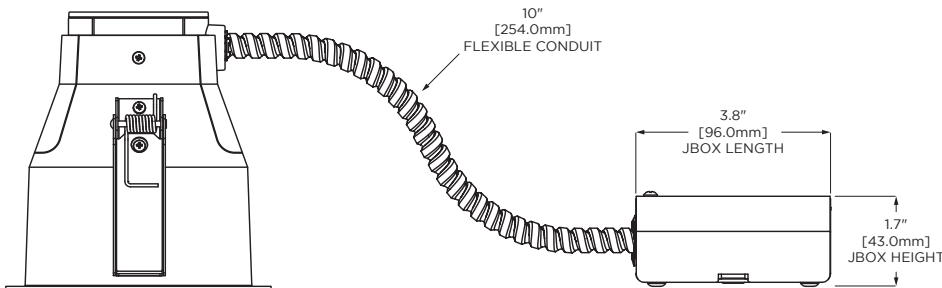
Operating Temperature	0 to 50°C
Storage Temperature	-20 - 80°C
Humidity	0 - 95%, Non-condensing
Certification	UL, cUL, RoHS, FCC Class B
Location	UL Damp Location, IP20, Plenum & IC-rated versions are airtight, & Plenum-rated must be used only in non-insulation contact locations

MECHANICAL

Weight	2.65lbs, 1200 g
Housing Material	Powder Coated Aluminum, ABS Plastic, Corrosion Protected Steel
Lens Material	UL F1 outdoor rating for UV and water contact PMMA

ELECTRICAL

Power consumption	D4R.13PLEN 13W D4R.08ICAT 08.5W
Power Factor	>0.9
Current	142 mA Max
Efficacy ¹	D4R.08 75 lm/W D4R.13 62 lm/W



¹ All performance measurements taken at 1" regress depth, 3000K, 25°C ambient, 100% power input, with a white baffle, unless otherwise stated.

² Lumen measurement complies with IES LM-79-08 testing procedures.

³ Lumen maintenance values calculated in accordance to TM-21 procedures based on LM-80 compliant measurement data.

⁴ Intensity and color point controlled via Ketra's wireless network

* For Title 24 and Title 20 compliant model numbers or for more information, please contact Customer Service at sales@ketra.com or 512.872.4349.

CAD files available upon request




770-000035-01 r17
Specifications are subject to change without notice

KETRA



D4R DOWNLIGHT

COMPONENT ORDERING GUIDE

REPLACEMENT LIGHT ENGINE

Product Line	D4R Model	LE Component	Beam Angle	Region & Voltage	Color	Power & Housing Rating
				11		
Product Line		Code	Region & Voltage		Code	
Commercial		CM-	North America, 120V 60Hz		11	
Residential (Homeworks)		HW-	Color			
Model			White		WH	
4" Retrofit Downlight		D4R	Black		BK	
Component			Power & Housing Rating			
Light Engine		LE	13W, Plenum		13	
			8W, ICAT		08	
Beam Angle			Order Code:			
Spot (15°)		15				
Flood (25°)		25				
Wide Flood (40°)		40				
Very Wide Flood (60°)		60				
Extra Wide Flood (90°)		90				

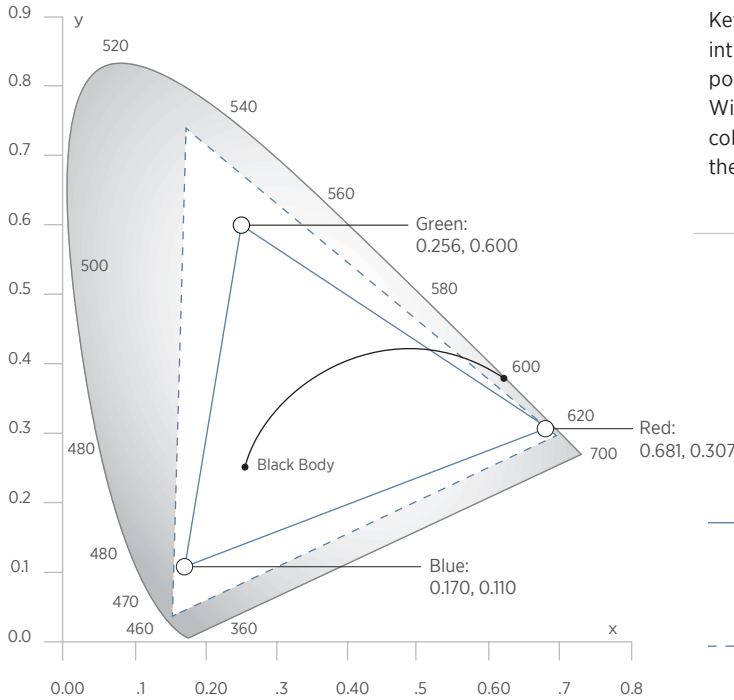
REPLACEMENT BAFFLE

UN- Product Line	D4R Model	BF Component	RD Baffle Shape	Regress Depth	Color
					
Product Line		Code	Baffle Shape		Code
Universal		UN-	Round		RD
Model			Regress Depth		
4" Retrofit Downlight		D4R	Half Inch (0.5")		05
			One inch (1")		10
			Two Inch (2")		20
Component			Color		
Baffle		BF	White		WH
			Black		BK

Order Code:

WIDE GAMUT

CIE 1931 Color Chart



Ketra's D4R LED Downlight can easily be configured via Ketra's intuitive Design Studio software. The product can reproduce any color point within the triangle shaped gamut indicated in the chart below. With Ketra's innovative optical and thermal feedback system, the color point is maintained to an accuracy of <1 MacAdam ellipse over the lifetime of the product and across operating temperature range.

- **Calibrated Gamut:** Color point is maintained to an accuracy of <1 MacAdam ellipse over the lifetime of the product and across operating temperature range.
- - - **Expanded Gamut:** Color calibration is relaxed such that each product produces the most saturated color it is capable of.

GENERAL SPECIFICATIONS

LED downlight shall employ closed loop optical and thermal feedback capable of maintaining color point accuracy of <1 MacAdam ellipse.

LED downlight shall have color spatial uniformity of <2 MacAdam ellipses over full field angle.

LED downlight shall have an integrated wireless control onboard.

LED downlight shall be capable of a CRI >90 at any point along the Black Body Curve from 2700 - 5000K.

LED downlight shall be a single source multi-die emitter consisting of both monochromatic and phosphor converted blue LED die.

LED downlight shall be sealed, meeting UL damp location requirements.

LED downlight shall be dimmable to 0.1% of measured luminous flux with wireless dimming.

LED downlight shall be UL listed and RoHS compliant.

LED downlight shall be capable of in situ firmware and software upgrades.

Ketra's LED D4R downlight is warranted to be free from material defects in material and workmanship for five (5) years or 25,000 hours from date of shipment, whichever is less.

LED Downlight shall be # _____