

## S38 Track Luminaire

### The Ketra Difference:

**High Def Palette**—covers a wide range of 16.7 million colors, including pastels, saturated colors and high CRI whites spanning from 1,400K to 10,000K.

**Dynamic Spectrum**—precisely tunes the amount of energy across the visible spectrum to produce Natural Light, Natural Dimming and Vibrancy.

**TruBeam**—produces uniform color across any available beam angle.

**Color Lock**—maintains your desired color point at a one-step MacAdam Ellipse across all Ketra product families and over each product's lifetime.



## ORDERING GUIDE

Please download this PDF to use the interactive drop down features of the ordering guide.

	TA	S38			11	G24			
Product Line	Series	Form Factor	Lumens	System/ Beam Angle	Region / Voltage	Base Type	Adapter Type	Housing Color	Accessory Type

Order code: \_\_\_\_\_

Product Line	Code	System/Beam Angle	Code	Region / Voltage	Code
Commercial	<b>CM-</b>	KetraNet Wide Gamut, Tunable Spot (10°)	<b>CTSP</b>	North America, 120 V~ 60 Hz	<b>11</b>
Residential (HomeWorks compatible)	<b>HW-</b>	KetraNet Wide Gamut, Tunable Flood (25°)	<b>BTFL</b>	<b>Base Type</b>	
<b>Model</b>		KetraNet Wide Gamut, Tunable Wide Flood (40°)	<b>BTWFL</b>	GU24	<b>G24</b>
Track Luminaire	<b>TA</b>	KetraNet Wide Gamut, Tunable Very Wide Flood (60°)	<b>BTVFL</b>	<b>Adapter Type</b>	
<b>Form Factor</b>		CCX Wide Gamut, Tunable Spot (10°) <sup>4</sup>	<b>GTSP</b>	"H-Type" Compatible	<b>H</b>
S38	<b>S38</b>	CCX Wide Gamut, Tunable Flood (25°) <sup>4</sup>	<b>GTFL</b>	½ in (12.7 mm) NPT Canopy Mount	<b>N</b>
<b>Lumens</b>		CCX Wide Gamut, Tunable Wide Flood (40°) <sup>4</sup>	<b>GTWFL</b>	<b>Housing Color</b>	
900 <sup>1</sup>	<b>09</b>	CCX Wide Gamut, Tunable Very Wide Flood (60°) <sup>4</sup>	<b>GTVFL</b>	White	<b>WH</b>
1100 <sup>1</sup>	<b>11</b>			Black	<b>BK</b>
900 High-Efficacy <sup>2,3</sup>	<b>09H</b>			<b>Accessory Type</b>	
				Short Snoot 55° cutoff	<b>SNT55</b>
				Tall Snoot 30° cutoff	<b>SNT30</b>
				Hex Louver 45° cutoff, includes SNT55	<b>LUV45</b>
				Baffle 15° cutoff, includes SNT30	<b>BFL15</b>
				No Accessory	<b>NA</b>

<sup>1</sup> This option is not available for sale in California.

<sup>2</sup> The state of California requires the use and sale of high-efficacy light sources.

<sup>3</sup> High-efficacy only available for design with residential HomeWorks QSX systems shipping after 5/1/2020.

<sup>4</sup> CCX stands for Clear Connect Type X.

\* For Title 24 and Title 20 compliant model numbers or for more information, please contact Customer Service at [ketrasales@lutron.com](mailto:ketrasales@lutron.com) or 844.588.6445.



# S38 TRACK LUMINAIRE

P/N 3662384 Rev C

Specifications are subject to change without notice

## SPECIFICATIONS<sup>1</sup>

### Optical Performance

Lumen Output <sup>2</sup>	900 lm/ 1100 lm
CRI (Ra) <sup>3</sup>	>90 (R9 >90)
Lumen Maintenance <sup>4</sup>	36,000 hours to L70 @ 25 °C T <sub>A</sub>
Color Point Maintenance	One-step MacAdam Ellipse over product lifetime
Equivalent Traditional Lamp	75 W/ 100 W halogen PAR38
Dimming Range <sup>5</sup>	0.1-100%

### Environmental

Operating Temperature (T <sub>A</sub> )	0–50°C
Storage Temperature	-20–80°C
Humidity	0–95%, Non-condensing
Certification	UL, cUL, RoHS, FCC Class B
Location	UL Damp Location, IP20
Outdoor Use	Not for use in outdoor applications

### Mechanical

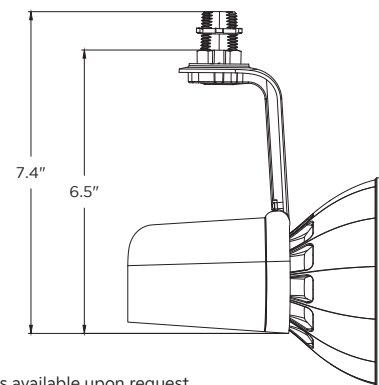
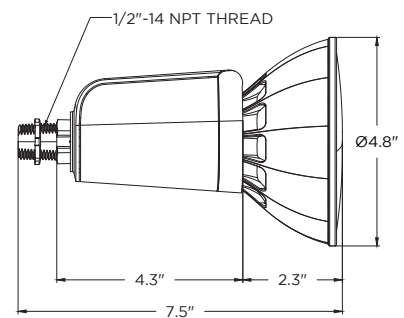
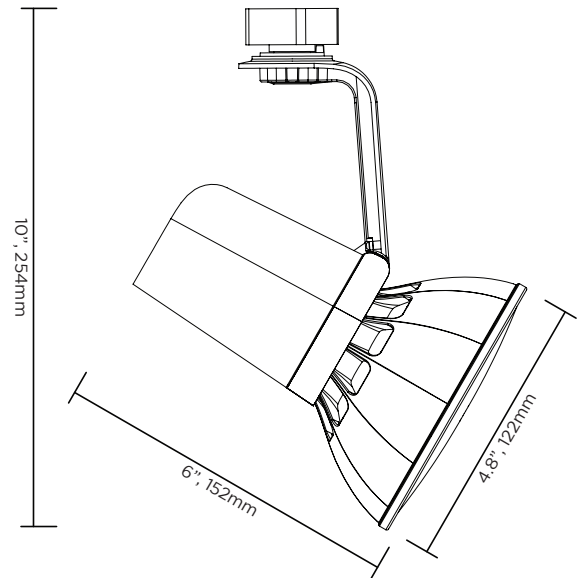
Weight	13.8 oz, 390 g
Housing Material	Powder Coated Aluminum, Polymer
Lens Material	Non-yellowing PMMA
Base Type	GU24

### Electrical

Power Consumption	S38.09 13 W/ S38.11 18 W
Power Factor	>0.9
Current	170 mA Max
Efficacy	S38.09 69 lm/W / S38.11 62 lm/W

### Accessories

S38 Accessory Snoot 30° cutoff, White	S38ASNT30WH
S38 Accessory Snoot 30° cutoff, Black	S38ASNT30BK
S38 Accessory Snoot 55° cutoff, White	S38ASNT55WH
S38 Accessory Snoot 55° cutoff, Black	S38ASNT55BK
S38 Accessory Louver 45° cutoff, White (Requires S38ASNT55)	S38ALUV45WH
S38 Accessory Louver 45° cutoff, Black (Requires S38ASNT55)	S38ALUV45BK
S38 Accessory Baffle 15° cutoff, White (Requires S38ASNT30)	S38ABFL15WH
S38 Accessory Baffle 15° cutoff, Black (Requires S38ASNT30)	S38ABFL15BK



CAD files available upon request

<sup>1</sup> All performance measurements taken at 3000 K, 25 °C ambient, 100% power input, unless otherwise stated.

<sup>2</sup> Lumen measurement complies with IES LM-79-08 testing procedures.

<sup>3</sup> See color gamut chart at the end of this document.

<sup>4</sup> Lumen maintenance values calculated in accordance to TM-21 procedures based on LM-80 compliant measurement data.

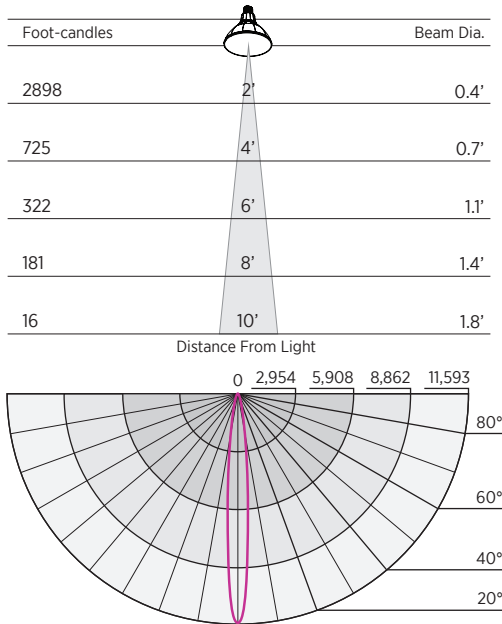
<sup>5</sup> Intensity and color point control requires compatible system.



**ISO FOOTCANDLE CHARTS: 2700 - 5000 K VALUES ONLY**

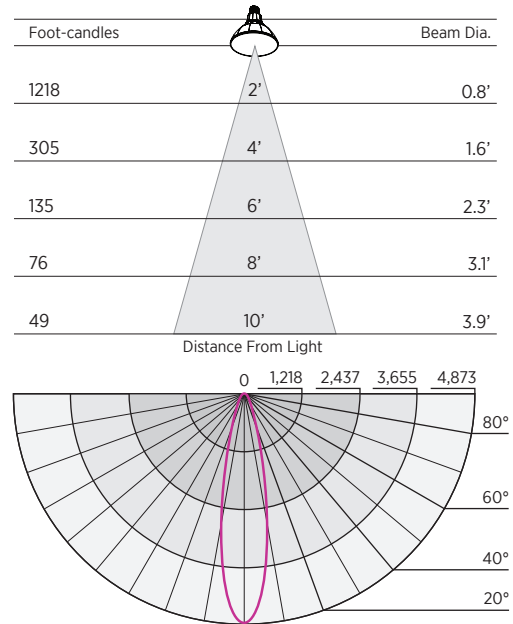
**Beam Angle: 10° Spot (SP)**

Product Code <sup>1</sup>	Wattage	Lumens	CBCP
S3811CTSP1E26WH	18 W	1100	11,593



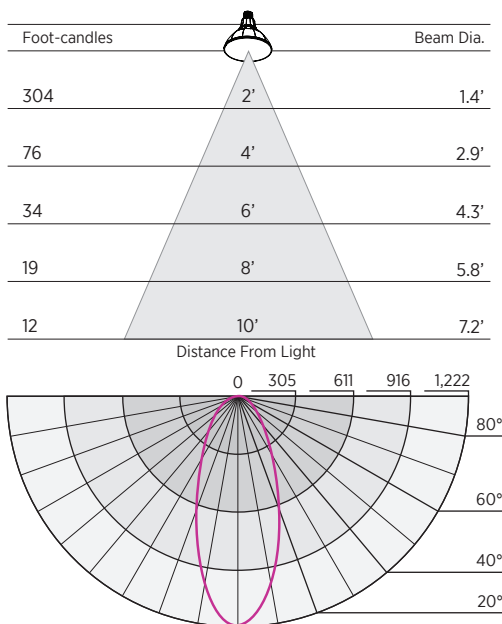
**Beam Angle: 25° Flood (FL)**

Product Code <sup>1</sup>	Wattage	Lumens	CBCP
S3811BTFL1E26WH	18 W	1100	4873



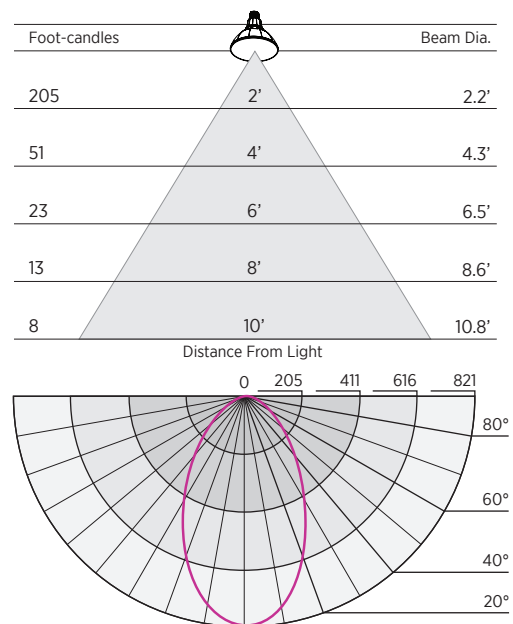
**Beam Angle: 40° Wide Flood (WFL)**

Product Code <sup>1</sup>	Wattage	Lumens	CBCP
S3811BTWFL1E26WH	18 W	1100	1217

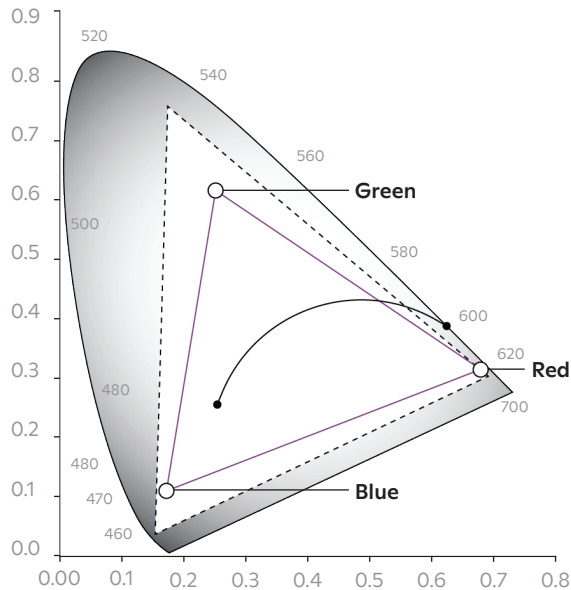


**Beam Angle: 60° Very Wide Flood (VFL)**

Product Code <sup>1</sup>	Wattage	Lumens	CBCP
S3811BTVFL1E26WH	18 W	1100	818



<sup>1</sup> This option is not available for sale in California.

**WIDE GAMUT**
**CIE 1931 Color Chart**


Ketra's LED Track Luminaire can easily be configured via Ketra's intuitive Design Studio software. The product can reproduce any color point within the triangle shaped gamut indicated in the chart to the left. With Ketra's innovative optical and thermal feedback system, the color point is maintained to an accuracy of one-step MacAdam Ellipse over the lifetime of the product and across operating temperature range.

— **Color Lock**—Color point is maintained to an accuracy of one-step MacAdam Ellipse over the lifetime of the product and across operating temperature range.

- - - - **Expanded Gamut**—Color calibration is relaxed such that each product produces the most saturated color it is capable of.

**S38 General Specifications**

**Color Point Maintenance:** Employ closed loop optical and thermal feedback capable of maintaining color point accuracy at a one-step MacAdam ellipse over product lifetime.

**Wireless Capability:** LED light source shall have an integrated wireless control on board.

**Color Rendering Index (CRI):** Capable of CRI greater than 90 at any point along the Black Body Curve from 2,700K to 5,000K.

**Single Source Multi-Dye Emitter Design:** Employ a single source multi-dye emitter consisting of both monochromatic and phosphor converted blue LED dye.

**LED Estimated Useful Life:** Minimum of 50,000 hours at 70 percent lumen maintenance, calculated based on IES LM-80 test data.

**Warranty:** Ketra's light source is warrantied to be free from material defects in material and workmanship for five ( 5 ) years or 25,000 hours from date of shipment, whichever is less.

**Lighting System Capable of the Following Dimming Functionality:**

1. Automatically mimicking natural daylight by shifting Correlated Color Temperature (CCT) and intensity based on time-of-day.
2. Shifting from high CCT at high intensity to low CCT at low intensity, mimicking dimming curve of an incandescent lamp.
3. Changing intensity while maintaining full color spectrum or CCT.
4. Changing full color spectrum or CCT while maintaining intensity.

**Spectral Power Distribution Manipulation:** Light system capable of manipulating the Spectral Power Distribution (SPD) by automatically adjusting distributions of color intensity while maintaining the same Correlated Color Temperature (CCT).

**Dimming Range:** Dimmable from 100 to 0.1 percent measured luminous flux.

**Color Point Range:** Single light source capable of producing 16.7 million colors and white from 1,400K to 10,000K Correlated Color Temperature (CCT).

The Ketra logo, Ketra, and KetraNet are trademarks or registered trademarks of Lutron Ketra, LLC, in the US and/or other countries.

Clear Connect and HomeWorks are trademarks or registered trademarks of Lutron Electronics Co., Inc. in the US and/or other countries.