

S30 Track Luminaire

The Ketra Difference:

High Def Palette—covers a wide range of 16.7 million colors, including pastels, saturated colors and high CRI whites spanning from 1,400K to 10,000K.

Dynamic Spectrum—precisely tunes the amount of energy across the visible spectrum to produce Natural Light, Natural Dimming and Vibrancy.

TruBeam—produces uniform color across any available beam angle.

Color Lock—maintains your desired color point at a one-step MacAdam Ellipse across all Ketra product families and over each product's lifetime.



ORDERING GUIDE

Please download this PDF to use the interactive drop down features of the ordering guide.

	TA	S30			11	G24			
Product Line	Series	Form Factor	Lumens	System/ Beam Angle	Region / Voltage	Base Type	Adapter Type	Housing Color	Accessory Type

Order code: _____

Product Line	Code	System/Beam Angle	Code	Adapter Type	Code
Commercial	CM-	KetraNet Spot (15°)	CTSP	"H-Type" Compatible	H
Residential (HomeWorks compatible)	HW-	KetraNet Flood (25°)	BTFL	½ in (12.7 mm) NPT Canopy Mount	N
		KetraNet Wide Flood (40°)	BTWFL		
		KetraNet Very Wide Flood (60°)	BTVFL		
		KetraNet Extra Wide Flood (90° BR Style)	BTXFL		
Model		CCX Spot (15°) ⁴	GTSP	Housing Color	
Track Luminaire	TA	CCX Flood (25°) ⁴	GTFL	White	WH
		CCX Wide Flood (40°) ⁴	GTWFL	Black	BK
		CCX Very Wide Flood (60°) ⁴	GTVFL		
		CCX Extra Wide Flood (90° BR Style)	GTXFL	Accessory Type	
Form Factor				Short Snoot 55° cutoff	SNT55
S30	S30			Tall Snoot 30° cutoff	SNT30
				Hex Louver 45° cutoff, includes SNT55	LUV45
Lumens				Baffle 15° cutoff, includes SNT30	BFL15
800 ¹	08			No Accessory	NA
1050 ¹	10	Region / Voltage			
800 High-Efficacy ^{2,3}	08H	North America, 120 V~ 60 Hz	11		
		Base Type			
		GU24	G24		

¹ This option is not available for sale in California.

² The state of California requires the use and sale of high-efficacy light sources.

³ High-efficacy only available for design with residential HomeWorks QSX systems shipping after 5/1/2020.

⁴ CCX stands for Clear Connect Type X.

* For Title 24 and Title 20 compliant model numbers or for more information, please contact Customer Service at ketrasales@lutron.com or 844.588.6445.



S30 TRACK LUMINAIRE

P/N 3662383 Rev F

Specifications are subject to change without notice

SPECIFICATIONS¹

Optical Performance

Lumen Output ²	800 lm/ 1050 lm
CRI (Ra) ³	>90 (R9 >90)
Lumen Maintenance ⁴	50,000 hours to L70 @ 25°C T _A
Color Point Maintenance	One-step MacAdam Ellipse over product lifetime
Equivalent Traditional Lamp	75 W halogen PAR30
Dimming Range ⁵	0.1-100%

Environmental

Operating Temperature (T _A)	0–50°C
Storage Temperature	-20–80°C
Humidity	0–95%, Non-condensing
Certification	UL, cUL, RoHS, FCC Class B
Location	UL Damp Location, IP20
Outdoor Use	Not for use in outdoor applications

Mechanical

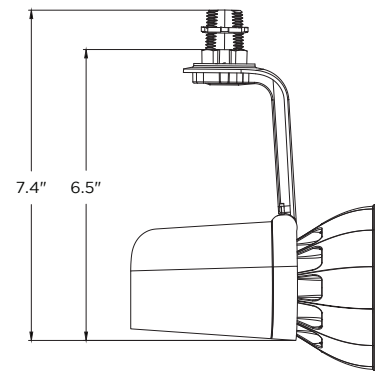
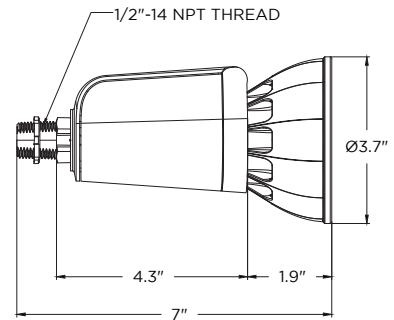
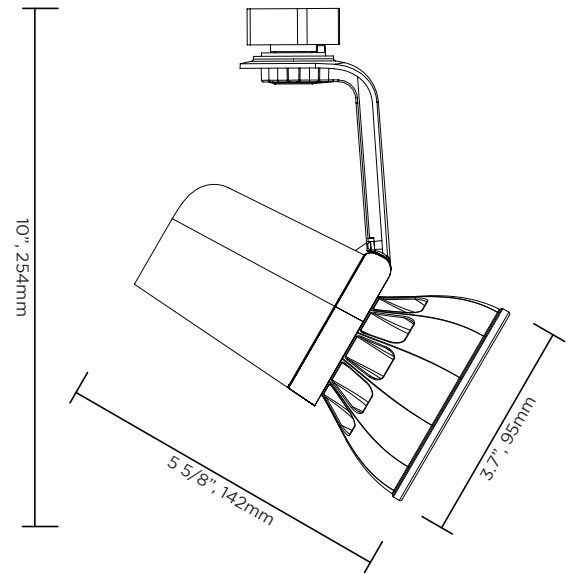
Weight	11.95 oz, 339 g
Housing Material	Powder Coated Aluminum, Polymer
Lens Material	Non-yellowing PMMA
Base Type	GU24

Electrical

Power Consumption	S30.08 11W/ S30.10 17W
Power Factor	>0.9
Current	170 mA Max
Efficacy	S30.08 75 lm/W / S30.10 62 lm/W

Accessories

S30 Accessory Snoot 30° cutoff, White	S30ASNT30WH
S30 Accessory Snoot 30° cutoff, Black	S30ASNT30BK
S30 Accessory Snoot 55° cutoff, White	S30ASNT55WH
S30 Accessory Snoot 55° cutoff, Black	S30ASNT55BK
S30 Accessory Louver 45° cutoff, White (Requires S30ASNT55)	S30ALUV45WH
S30 Accessory Louver 45° cutoff, Black (Requires S30ASNT55)	S30ALUV45BK
S30 Accessory Baffle 15° cutoff, White (Requires S30ASNT30)	S30ABFL15WH
S30 Accessory Baffle 15° cutoff, Black (Requires S30ASNT30)	S30ABFL15BK



CAD files available upon request

¹ All performance measurements taken at 3000K, 25°C ambient, 100% power input, unless otherwise stated.

² Lumen measurement complies with IES LM-79-08 testing procedures.

³ See color gamut chart at the end of this document.

⁴ Lumen maintenance values calculated in accordance to TM-21 procedures based on LM-80 compliant measurement data.

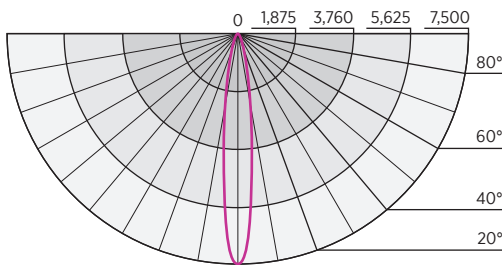
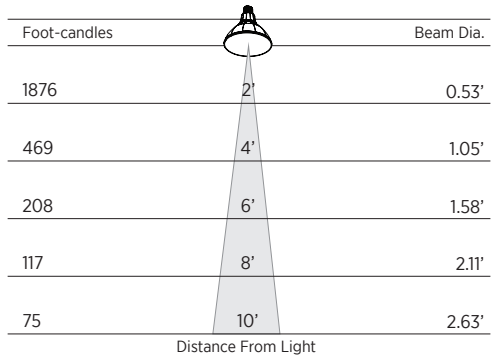
⁵ Intensity and color point control requires compatible system.



ISO FOOTCANDLE CHARTS: 2700 - 5000 K VALUES ONLY

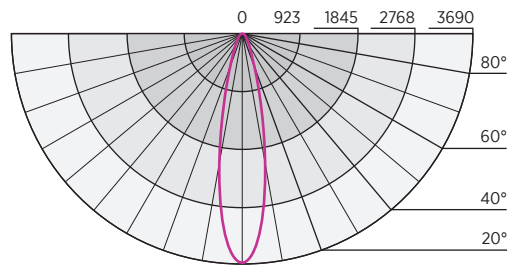
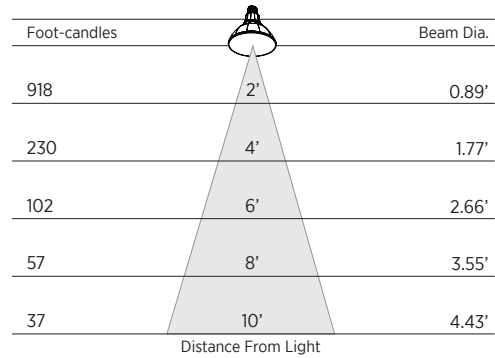
Beam Angle: 15° Spot (SP)

Product Code ¹	Wattage	Lumens	CBCP
S3010CTSP11E26WH	17 W	1050	7501



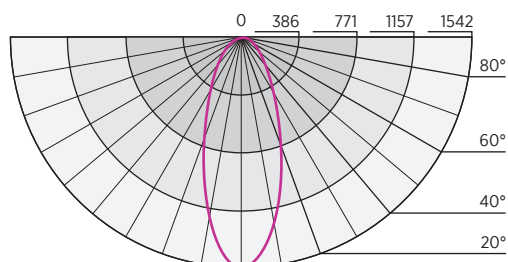
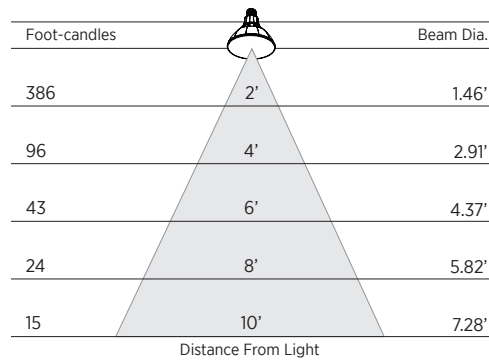
Beam Angle: 25° Flood (FL)

Product Code ¹	Wattage	Lumens	CBCP
S3010BTFL11E26WH	17 W	1050	3672



Beam Angle: 40° Wide Flood (WFL)

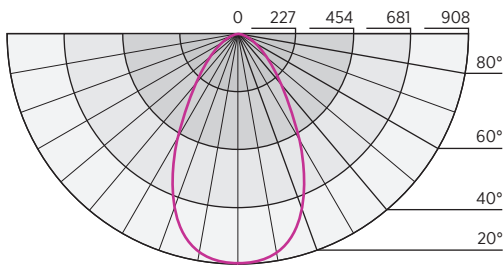
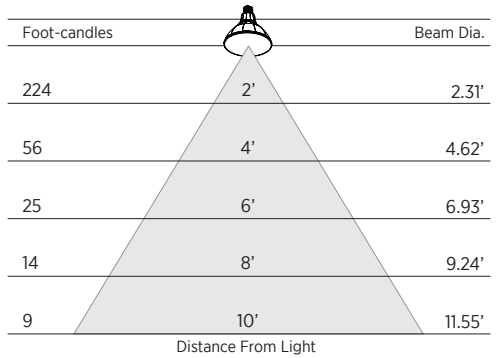
Product Code ¹	Wattage	Lumens	CBCP
S3010BTWFL11E26WH	17 W	1050	1542



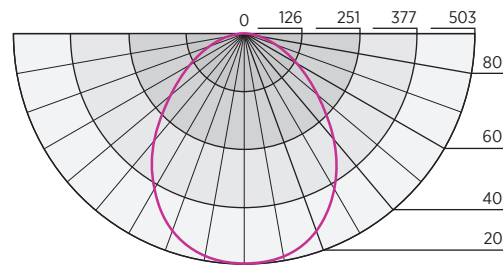
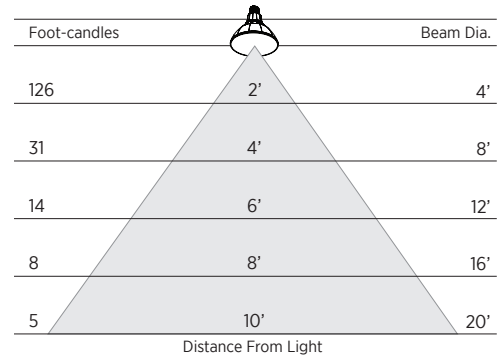
¹ This option is not available for sale in California.

ISO FOOTCANDLE CHARTS: 2700 - 5000 K VALUES ONLY
Beam Angle: 60° Very Wide Flood (VFL)

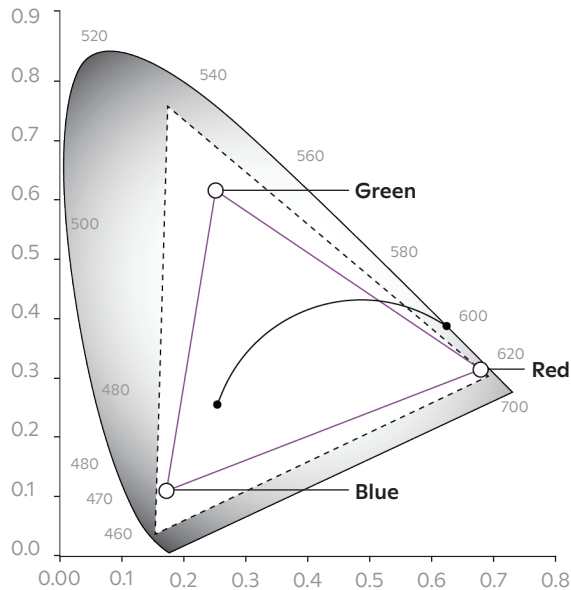
Product Code ¹	Wattage	Lumens	CBCP
S30101BTVFL11E26WH	17 W	1050	897


Beam Angle: 90° Extra Wide Flood (XFL)

Product Code ¹	Wattage	Lumens	CBCP
S30101BTXFL11E26WH	17 W	1050	503



¹ This option is not available for sale in California.

WIDE GAMUT
CIE 1931 Color Chart


Ketra's LED Track Luminaire can easily be configured via Ketra's intuitive Design Studio software. The product can reproduce any color point within the triangle shaped gamut indicated in the chart to the left. With Ketra's innovative optical and thermal feedback system, the color point is maintained to an accuracy of one-step MacAdam Ellipse over the lifetime of the product and across operating temperature range.

— **Color Lock**—Color point is maintained to an accuracy of one-step MacAdam Ellipse over the lifetime of the product and across operating temperature range.

- - - **Expanded Gamut**—Color calibration is relaxed such that each product produces the most saturated color it is capable of.

S30 General Specifications

Color Point Maintenance: Employ closed loop optical and thermal feedback capable of maintaining color point accuracy at a one-step MacAdam ellipse over product lifetime.

Wireless Capability: LED light source shall have an integrated wireless control on board.

Color Rendering Index (CRI): Capable of CRI greater than 90 at any point along the Black Body Curve from 2,700K to 5,000K.

Single Source Multi-Dye Emitter Design: Employ a single source multi-dye emitter consisting of both monochromatic and phosphor converted blue LED dye.

LED Estimated Useful Life: Minimum of 50,000 hours at 70 percent lumen maintenance, calculated based on IES LM-80 test data.

Warranty: Ketra's light source is warrantied to be free from material defects in material and workmanship for five (5) years or 25,000 hours from date of shipment, whichever is less.

Lighting System Capable of the Following Dimming Functionality:

1. Automatically mimicking natural daylight by shifting Correlated Color Temperature (CCT) and intensity based on time-of-day.
2. Shifting from high CCT at high intensity to low CCT at low intensity, mimicking dimming curve of an incandescent lamp.
3. Changing intensity while maintaining full color spectrum or CCT.
4. Changing full color spectrum or CCT while maintaining intensity.

Spectral Power Distribution Manipulation: Light system capable of manipulating the Spectral Power Distribution (SPD) by automatically adjusting distributions of color intensity while maintaining the same Correlated Color Temperature (CCT).

Dimming Range: Dimmable from 100 to 0.1 percent measured luminous flux.

Color Point Range: Single light source capable of producing 16.7 million colors and white from 1,400K to 10,000K Correlated Color Temperature (CCT).

The Ketra logo, Ketra, and KetraNet are trademarks or registered trademarks of Lutron Ketra, LLC, in the US and/or other countries.

Clear Connect and HomeWorks are trademarks or registered trademarks of Lutron Electronics Co., Inc. in the US and/or other countries.