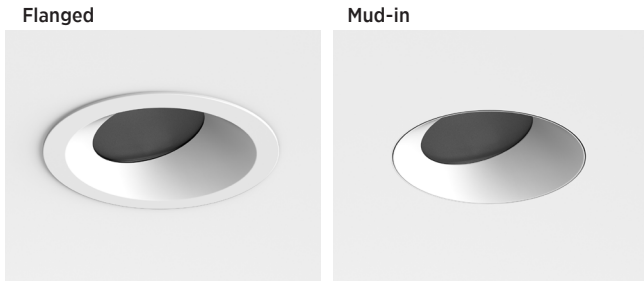


KETRA

D3 WALL WASH, ROUND

Type: _____
 Project: _____
 Comments: _____
 Prepared By: _____



Tunable, fixture produces a wide range of 90+ CRI/R9 whites from 1400K-10,000K, as well as pastels and saturated colors

Closed-loop color point maintenance to <1 MacAdam ellipse over lifetime and temperature

Integrated temperature protection maintains safe operating conditions

Wirelessly dimmable to 0.1%

On-board wireless control enables individual addressability and control

HARDWARE ORDERING GUIDE

HOUSING



Product Line Fixture & Trim



BT
Platform & Control

WW
Beam Angle



NCIC
Housing Type

SP
Shipping Option

Wattage Platform & Control Beam Angle Voltage & Region Housing Type Shipping Option

Order Code:

| Product Line | Code | Beam Angle | Code |
|------------------------------------|---------------|---|-------------|
| Commercial | CM- | Wall Wash | WW |
| Residential (Homeworks compatible) | HW- | | |
| Fixture & Trim | | Voltage & Region | |
| D3 Wall Wash, Round * | D3WWRD | 120VAC 60Hz, North America | 11 |
| D3 Wall Wash, Round Mud-in ** | D3WWRM | 277VAC 60 Hz, North America | 12 |
| Wattage | | Housing Type | |
| 9 Watts | 09 | New Construction, IC/Airtight | NCIC |
| 13 Watts | 13 | Shipping Option | |
| 18 Watts | 18 | Single Pack <small>(Default, ships with Butterfly Brackets & 24" Nailer Bars to be installed in field)</small> | SP |
| Platform & Control | | | |
| Wide Gamut, Tunable | BT | | |

TRIM

UN-
Product Line



W
Trim Accessory

Model Trim Color Trim Accessory

Order Code:

| Product Line | Code |
|--|----------------|
| Universal | UN- |
| Model | |
| D3 Round Wall Wash | D3TFRW1 |
| <small>*Not compatible with flangeless housing</small> | |
| D3 Round Flangeless Wall Wash | D3TXRW1 |
| <small>**Not compatible with flanged housing</small> | |
| Trim Color | |
| White | WH |
| Black | BK |
| Trim Accessory ¹ | |
| Wall Wash | W |

¹ Downlight is wet location rated.

KETRA

D3 WALL WASH, ROUND

SPECIFICATIONS¹

OPTICAL & ELECTRICAL PERFORMANCE¹

| Delivered Lumen Output ² | | | |
|---------------------------------------|--|--------|--------|
| Beam Angle (1" recess) | 9W | 13W | 18W |
| Wall Wash | 414lm | 573lm | 705lm |
| CRI (Ra) ³ | >90 (R9>90) 2400K-5000K TYP | | |
| Lumen Maintenance ⁴ | 50,000 hours to L70 @ 25°C T _A | | |
| Color Spatial Uniformity ³ | <2 MacAdam ellipses across field angle | | |
| Color Point Range ⁴ | 1400°K-10,000°K, Fully Saturated, & Pastel | | |
| Equivalent Traditional Lamp | 75W halogen | | |
| Dimming Range ⁴ | 0.1-100%lm | | |
| Power consumption | D3.09 9W | | |
| | D3.13 13W | | |
| | D3.18 18W | | |
| Voltage | 120VAC 60Hz 277VAC 60Hz | | |
| Power Factor | >0.9 | | |
| Inrush Current ⁵ | 800mA, 0.2 ms duration | | |
| Delivered Efficacy | | | |
| Beam Angle | 9W | 13W | 18W |
| Wall Wash | 46lm/W | 44lm/W | 39lm/W |
| Surge Protection | 2.5KV | | |
| Control Protocol | KetraNet Mesh | | |

ENVIRONMENTAL

| | |
|---|--|
| Operating Temperature (T _A) | 0 - 40°C |
| Storage Temperature | -20 - 80°C |
| Humidity | 0 - 95%, Non-condensing |
| Certification | UL, cUL, 120V: FCC Class B, 277V: FCC Class A |
| Location | UL Wet Location |

MECHANICAL

| | |
|--------------------------------|---------------------------------|
| Mounting Options | Hanger Bars/ Butterfly Brackets |
| Field Replaceable Optics | Yes |
| Field Replaceable Light Engine | Yes |
| Field Replaceable Power Supply | Yes |
| Housing Material | Powder Coated Steel, Polymer |
| Lens Material | Glass |

DIMENSIONS

| | |
|---|------------------------------------|
| Ceiling Hole Diameter | 4" Flanged; 5.5" Mud-in |
| Trim Outside Diameter | 4.63" Flanged; 3.75" Mud-in |
| Trim Inside Diameter | 3.75" |
| Trim Thickness | 1/16" (Flanged only) |
| Optics Outside Diameter | 2.5" |
| Trim Depth | 1" |
| Ceiling Thickness | 0.625" - 1.5" |
| Aiming | Tilt Fixed at 20° 364° Rotation |
| Service Position | Tilt to 40° Full 364° Rotation |
| Emitter Vertical Adjustment (tool-free) | 0.75" |
| Housing Vertical Adjustment via Butterfly Bracket | 1.75" |
| Housing Height | 3.50" |
| Housing Length | 18.38" |
| Housing Width | 10" |
| Unit Weight | 7.75 lb |

¹ All performance measurements taken with 1" trim, with light engine at nadir at the low regress position, at 3000K, 25°C ambient, 100% power input, unless otherwise stated.

² Lumen measurement complies with IES LM-79-08 testing procedures.

³ Lumen maintenance values calculated in accordance to TM-21 procedures based on LM-80 compliant measurement data.

⁴ Intensity and color point controlled via Ketra's wireless network.

⁵ For more information on inrush current, refer to Ketra's Inrush App Note in the Support section of our website.

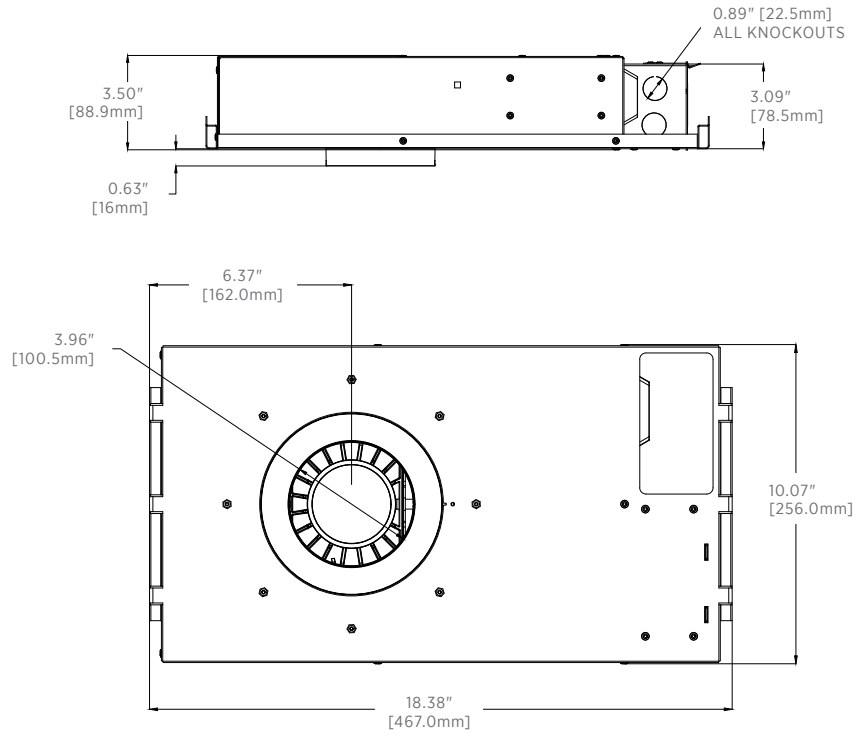
* For Title 24 and Title 20 compliant model numbers or for more information, please contact Customer Service at sales@ketra.com or 512.872.4349.

KETRA

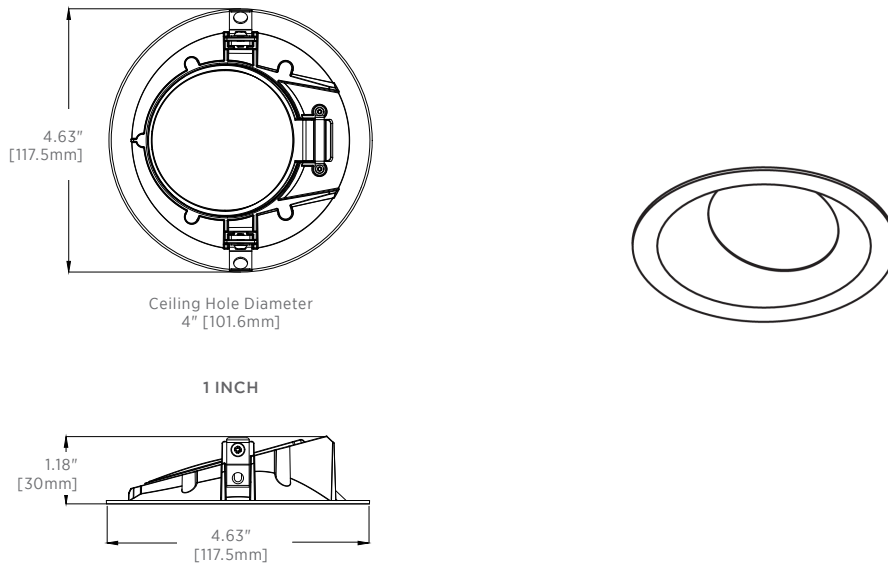
D3 WALL WASH, ROUND

DIMENSION DRAWINGS

FLANGED HOUSING



FLANGED TRIM



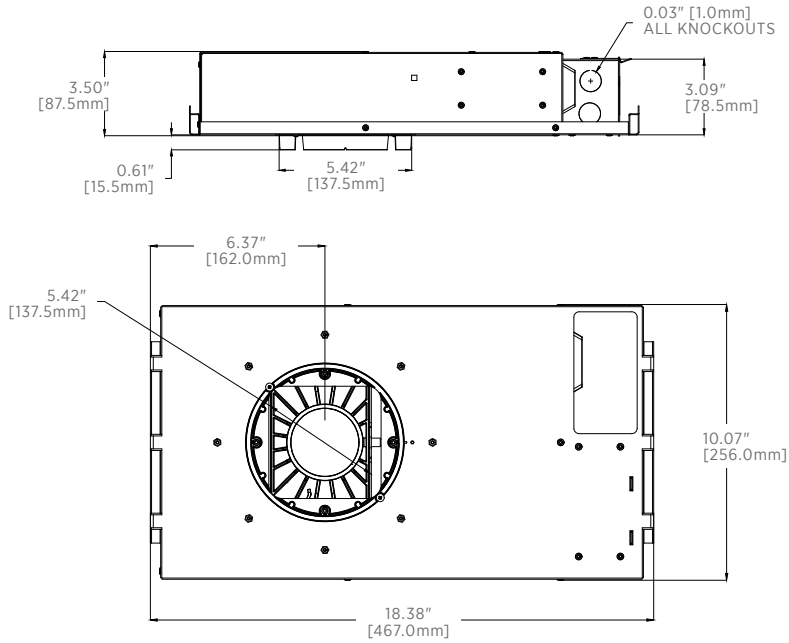
770-000028-05 r12
Specifications are subject to change without notice

KETRA

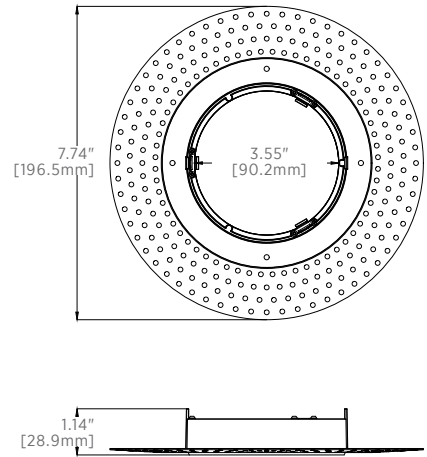
D3 WALL WASH, ROUND

DIMENSION DRAWINGS

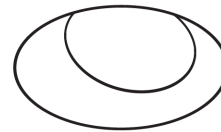
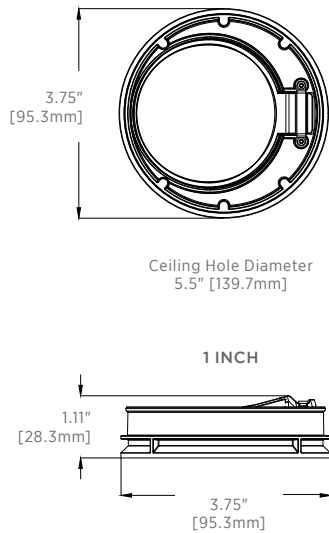
MUD-IN HOUSING



MUD-IN TRIM RETAINER



MUD-IN TRIM



770-000028-05 r12
Specifications are subject to change without notice

KETRA

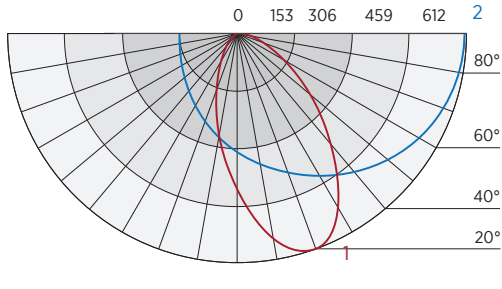
D3 WALL WASH, ROUND

ISO FOOTCANDLE CHARTS: 2700 - 5000K VALUES ONLY, DELIVERED LUMENS

LM-79 compliant IES files available upon request.

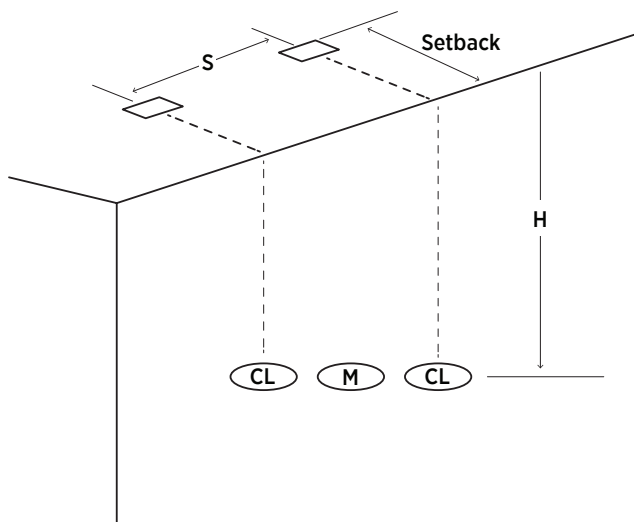
BEAM ANGLE: WALL WASH

| Product Code | Wattage | Lumens |
|--------------|---------|--------|
| D3WWRD18BTWW | 18W | 714 |



- 1 Vertical plane through horizontal angles (0-180) (through max. cd.)
- 2 Horizontal cone through vertical angle (20) (through max. cd.)

MULTIPLE UNITS DIAGRAM



| 2' from wall ("Setback") | 2' on Center (S) | | | 3' on Center (S) | | | 4' on Center (S) | | |
|-----------------------------|------------------|----|----|------------------|----|----|------------------|----|----|
| | CL | M | CL | CL | M | CL | CL | M | CL |
| Distance from Ceiling (H) | | | | | | | | | |
| 1' | 30 | 29 | 30 | 21 | 20 | 21 | 17 | 14 | 17 |
| 2' | 42 | 43 | 43 | 30 | 30 | 30 | 24 | 21 | 24 |
| 3' | 43 | 45 | 45 | 32 | 31 | 31 | 25 | 23 | 25 |
| 4' | 35 | 36 | 36 | 26 | 26 | 25 | 20 | 20 | 20 |
| 5' | 25 | 26 | 27 | 20 | 19 | 19 | 15 | 15 | 15 |
| 6' | 18 | 19 | 20 | 15 | 15 | 14 | 12 | 12 | 11 |
| 7' | 14 | 14 | 15 | 11 | 11 | 11 | 9 | 9 | 9 |
| 8' | 10 | 11 | 11 | 9 | 9 | 9 | 7 | 7 | 7 |
| 9' | 8 | 9 | 9 | 7 | 7 | 7 | 6 | 6 | 6 |
| 10' | 7 | 7 | 7 | 6 | 6 | 6 | 5 | 5 | 5 |

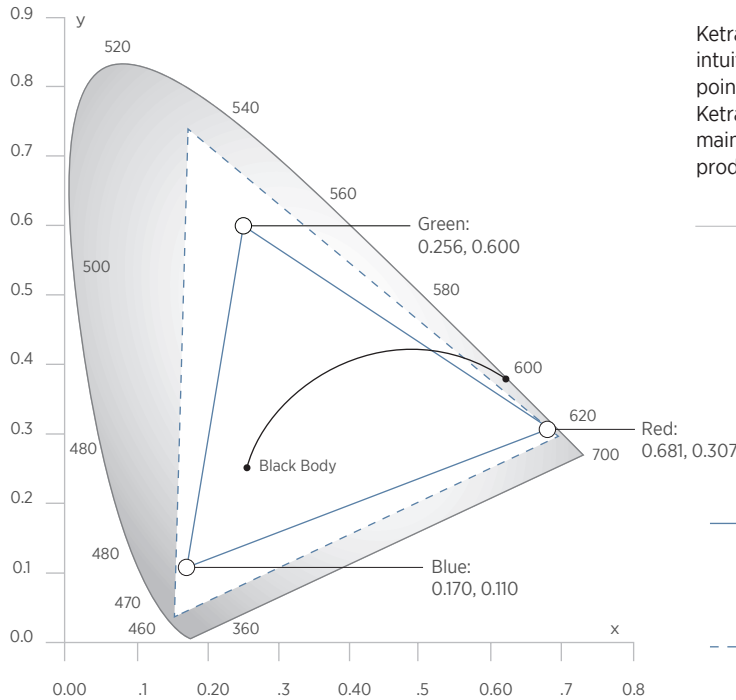
| 3' from wall ("Setback") | 2' on Center (S) | | | 3' on Center (S) | | | 4' on Center (S) | | |
|-----------------------------|------------------|----|----|------------------|----|----|------------------|----|----|
| | CL | M | CL | CL | M | CL | CL | M | CL |
| Distance from Ceiling (H) | | | | | | | | | |
| 1' | 14 | 15 | 15 | 11 | 11 | 11 | 9 | 8 | 9 |
| 2' | 24 | 25 | 25 | 18 | 18 | 18 | 14 | 13 | 14 |
| 3' | 30 | 31 | 31 | 22 | 23 | 23 | 18 | 16 | 18 |
| 4' | 29 | 30 | 31 | 22 | 23 | 23 | 18 | 16 | 18 |
| 5' | 25 | 26 | 26 | 19 | 20 | 20 | 16 | 14 | 16 |
| 6' | 20 | 21 | 21 | 16 | 16 | 17 | 13 | 12 | 13 |
| 7' | 16 | 17 | 17 | 13 | 14 | 14 | 11 | 10 | 11 |
| 8' | 13 | 14 | 14 | 11 | 11 | 11 | 9 | 8 | 9 |
| 9' | 11 | 11 | 11 | 9 | 10 | 10 | 8 | 7 | 8 |
| 10' | 9 | 9 | 9 | 8 | 8 | 8 | 7 | 6 | 7 |

Calculated with five luminaires. Reflectances: 80, 50, 20.
Values are rounded to the nearest footcandle.

770-000028-05 r12
Specifications are subject to change without notice

WIDE GAMUT

CIE 1931 Color Chart



Ketra's tunable spectrum D3 downlight can easily be configured via Ketra's intuitive Design Studio software. The product can reproduce any color point within the triangle shaped gamut indicated in the chart below. With Ketra's innovative optical and thermal feedback system, the color point is maintained to an accuracy of <1 MacAdam ellipse over the lifetime of the product and across operating temperature range

- **Calibrated Gamut:** Color point is maintained to an accuracy of <1 MacAdam ellipse over the lifetime of the product and across operating temperature range.
- - - **Expanded Gamut:** Color calibration is relaxed such that each product produces the most saturated color it is capable of.

GENERAL SPECIFICATIONS

LED downlight shall employ closed loop optical and thermal feedback capable of maintaining color point accuracy of <1 MacAdam ellipse.

LED downlight shall have color spatial uniformity of <2 MacAdam ellipses over full field angle.

LED downlight shall have an integrated wireless control onboard.

LED downlight shall be capable of a CRI >90 along the Black Body Curve from 2700-5000K.

LED downlight lamp shall be a single source multi-die emitter consisting of both monochromatic and phosphor converted blue LED dye.

LED downlight shall be sealed, meeting UL damp location (and UL Wet Location with Wet Location Trim) requirements.

LED downlight shall be dimmable to 0.1% of measured luminous flux with wireless dimming.

LED downlight shall be UL listed and RoHS compliant.

LED downlight shall be capable of in situ firmware and software upgrades.

Ketra LED Fixtures are warranted to be free from material defects in material and workmanship for five (5) years or 25,000 hours from date of shipment, whichever is less.

LED D3 Fixture shall be # _____

TROUBLESHOOTING

The D3 uses built-in tests to check wiring and wireless connectivity. These tests run each time the D3 turns on, and may take several minutes.

Note: The D3 will NOT run these tests while provisioned to a Design Studio installation.

If the D3 finds a problem, it will let you know by emitting a corresponding color or, if no emitter is connected, by flashing the indicator lights on its power supply.

DIAGNOSTIC COLORS (REQUIRES EMITTER)

The D3 will emit a color to tell you the type of problem.

| COLOR | CONDITION | CORRECTION |
|---------|---|---|
| Red | Invalid input voltage on the power line | Ensure the input voltage matches the expected voltage for the D3's model. |
| Magenta | Poor wireless connectivity | Ensure that the D3 is not in a metal enclosure and that there are no significant obstructions between the D3 and other Ketra devices. Note: In some circumstances, magenta is expected. See the note below the table. |
| Yellow | Fair wireless connectivity | Ensure that the D3 is not in a metal enclosure and that there are no significant obstructions between the D3 and other Ketra devices. |