

KETRA

N4 HUB



Type: _____

Project: _____

Comments: _____

Prepared By: _____

Enables control by Design Studio and the Ketra app

Seamless integration between KNETs, allowing for installations with multiple N4s

Tabletop/wall-mounted and conduit-mounted mounting options

PRODUCT DESCRIPTION

Ketra's N4 Hub forms a bridge between Ketra products and Ketra digital interfaces such as Design Studio and mobile app. With multiple N4s, a user can integrate KNETs, allowing for seamless installations. With an Internet connection, the Hub can connect to Ketra's cloud servers to enable backup and remote maintenance functions.

HARDWARE ORDERING GUIDE

Product Line	N4	14	Interface	BK
Product Line	Model	Region & Voltage	Interface	Housing Color
Order Code:				
			Code	
Product Line				
Commercial			CM-	
Residential (Homeworks compatible)			HW-	
Model				
N4 Hub			N4	
Region & Voltage				
North America, 100-277VAC 50/60Hz			14	
Interface				
Table Top			TT	
Conduit-Mounted			CND	
Housing Color				
Black			BK	

770-000024-01-r12
Specifications are subject to change without notice

PERFORMANCE SUMMARY

ENVIRONMENTAL

Operating Temperature	-20° to 40°C
Storage Temperature	-20° to 80°C
Humidity	0 - 95%, Non-condensing
Certification	UL, cUL, FCC Class B, RoHS
Location ¹	UL Damp Location, IP20

MECHANICAL

Weight	9.5oz / 0.27kg
Housing Material	Polymer

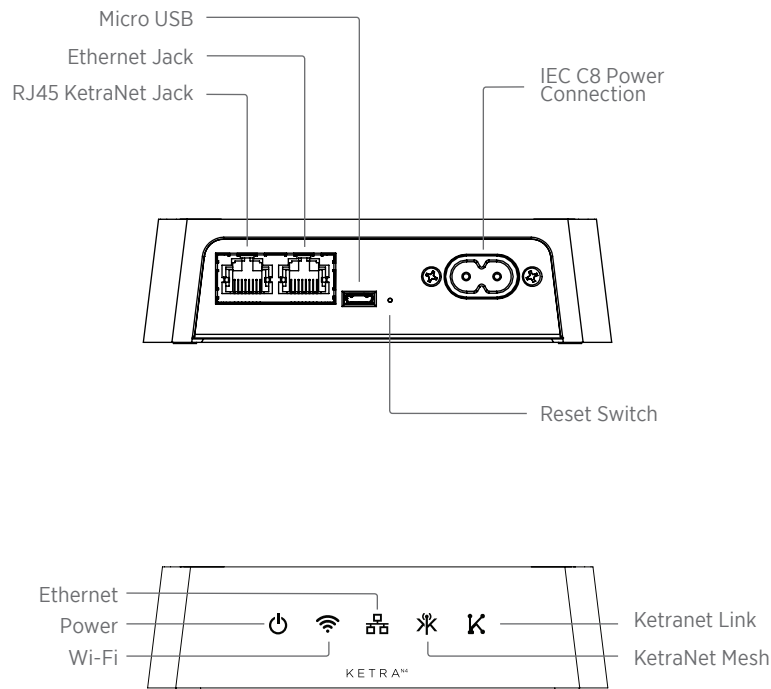
POWER

Voltage	100-277VAC50/60Hz *
Unit consumes 5W electrical power	
Current: .041 Amps @ 120 VAC	

* TT variant power cord (NEMA 1-15P/SPT-2) limited to 125VAC

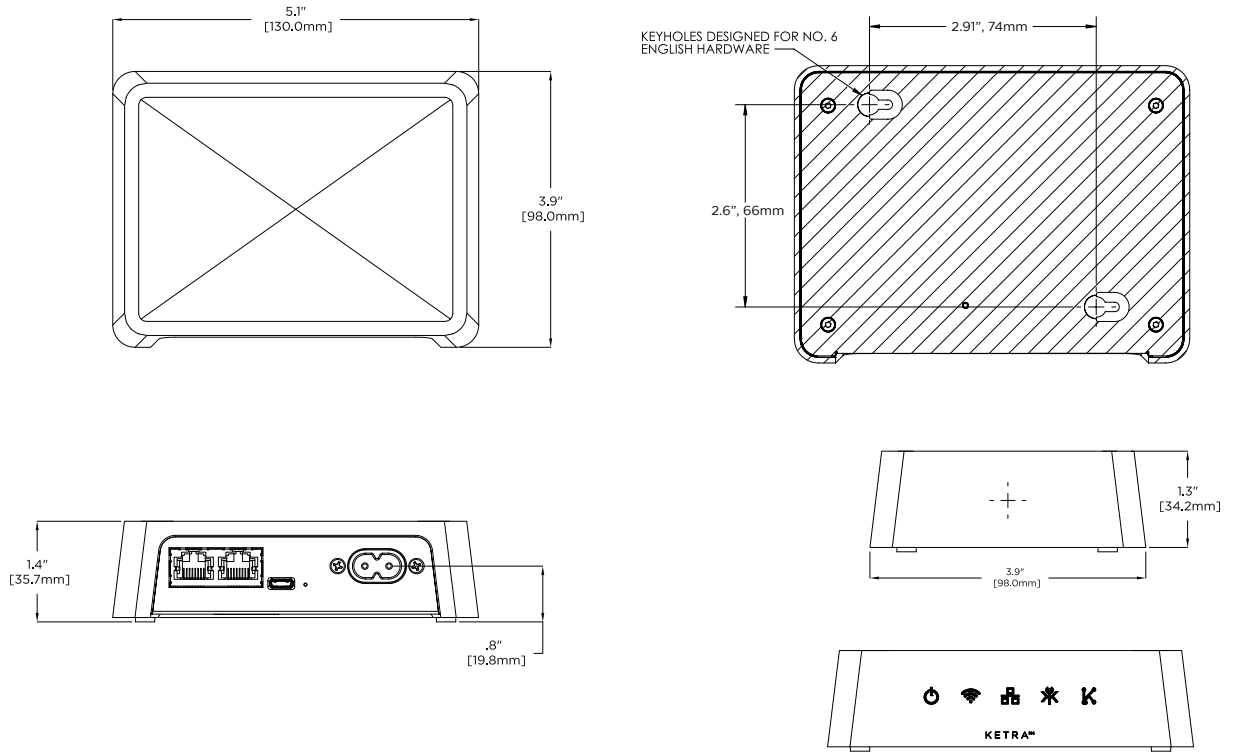
ENCLOSURE + CONNECTIONS

Connections (Class 1)	
AC Power In (Table Top)	IEC C8 Power Connection
AC Power In (Conduit)	18 AWG Flying Leads
Connections (Class 1)	
Connectivity Technology	Wireless, Wired
Data Link Protocol	Ethernet, Fast Ethernet, IEEE 802.11b, IEEE 802.11g
KetraNet Mesh™ Wireless	
USB Port	1 - Micro-B USB console port, for firmware updates



¹ Product includes on-board wireless radio for communications. Do not enclose in metallic enclosure as it may impact radio performance.

TABLE TOP



CONDUIT MOUNTED

