

N4 Hub

Enables control by Design Studio and the Ketra app

Seamless integration between KNets, allowing for installations with multiple N4s

Tabletop/wall-mounted and conduit-mounted mounting options

Ketra's N4 Hub forms a bridge between Ketra products and Ketra digital interfaces such as Design Studio and mobile app. With multiple N4s, a user can integrate KNets, allowing for seamless installations. With an Internet connection, the Hub can connect to Ketra's cloud servers to enable backup and remote maintenance functions.



ORDERING GUIDE

Please download this PDF to use the full functionality of the ordering guide.

| Product Line | N4 | 14 | Interface | BK |
|--------------|----|----|-----------|----|
|--------------|----|----|-----------|----|

Order code: _____

| Product Line | Code | Interface | Code |
|--|------------|----------------------|------------|
| Commercial | CM- | Table Top | TT |
| Residential (HomeWorks QS compatible) | HW- | Conduit-Mounted | CND |
| Model | | Housing Color | |
| N4 Hub | N4 | Black | BK |
| Region & Voltage | | | |
| North America, 100-277 V~ 50/60 Hz | 14 | | |

PERFORMANCE SUMMARY

Environmental

| | |
|-----------------------|---|
| Operating Temperature | -20° to 40 °C |
| Storage Temperature | -20° to 80 °C |
| Humidity | 0 - 95%, Non-condensing |
| Certification | UL, cUL, FCC Class B, RoHS, UL 2043 (conduit-mounted only) |
| Location† | UL Damp Location, IP20 |

Mechanical

| | |
|------------------|------------------|
| Weight | 9.5 oz (0.27 kg) |
| Housing Material | Polymer |

Power

| | |
|-----------------------------------|-----------------------|
| Voltage | 100-277 V~ 50/60 Hz * |
| Unit consumes 5W electrical power | |
| Current | 0.041 Amps @ 120 V~ |

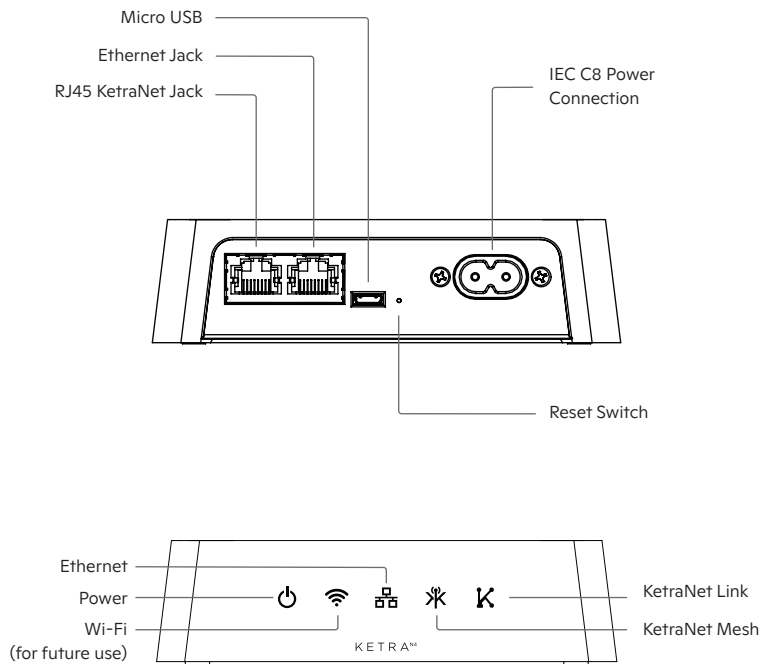
Enclosure & Connections

Connections (Class 1)

| | |
|-------------------------|---|
| AC Power In (Table Top) | IEC C8 Power Connection |
| AC Power In (Conduit) | 18 AWG (0.75 mm ²) Flying Leads |

Connections (Class 1)

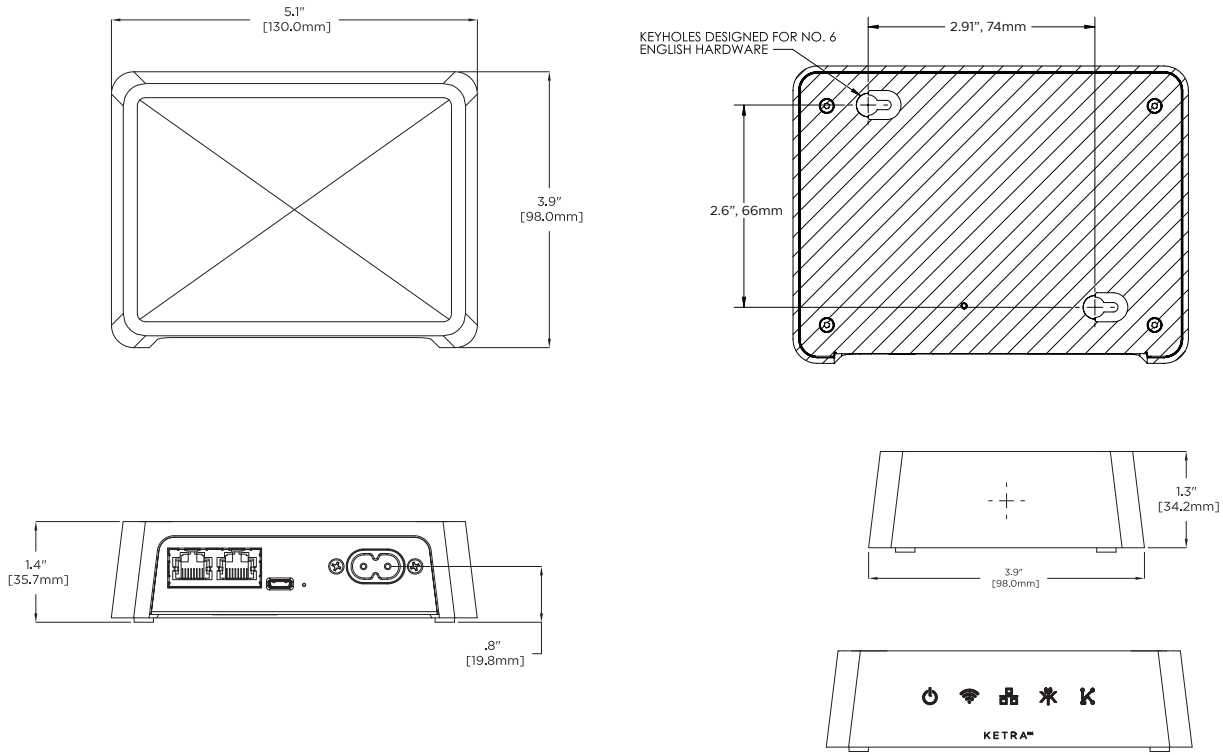
| | |
|-------------------------|---|
| Connectivity Technology | Wireless, Wired |
| Data Link Protocol | Ethernet, Fast Ethernet |
| KetraNet Mesh Wireless | |
| USB Port | 1 - Micro-B USB console port, for firmware updates |



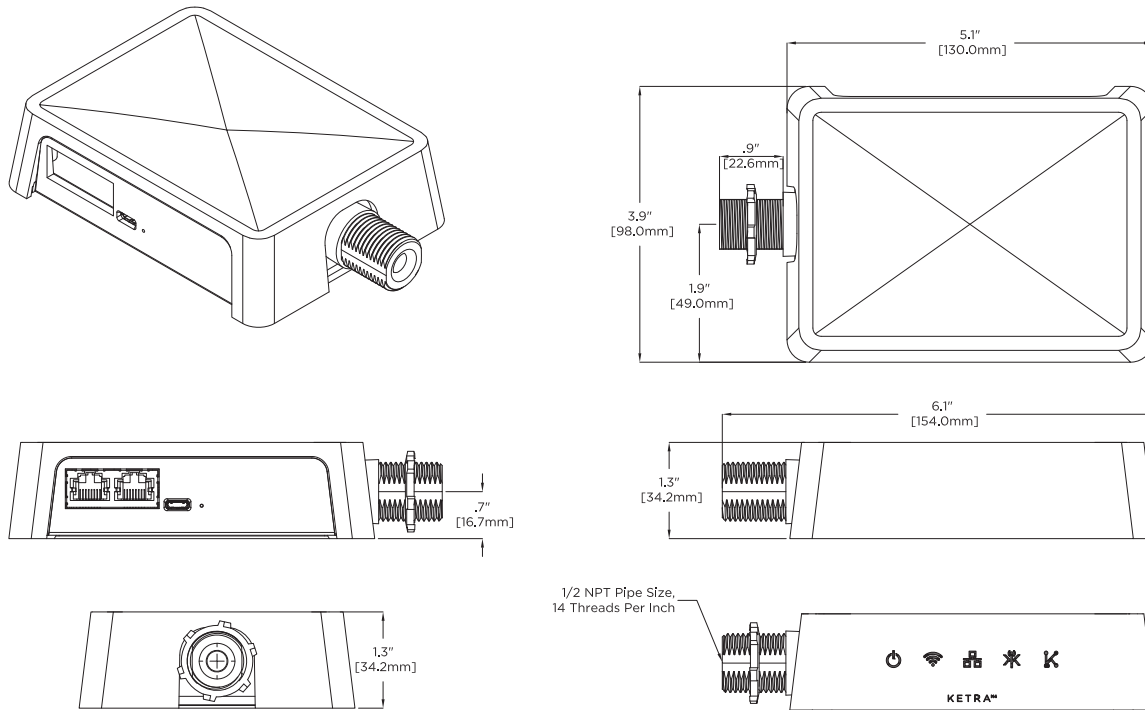
† Product includes on-board wireless radio for communications. Do not enclose in metallic enclosure as it may impact radio performance.

* TT variant power cord (NEMA 1-15P/SPT-2) limited to 125 V~.

TABLE TOP



CONDUIT-MOUNTED



The Ketra logo and KetraNet Mesh are trademarks or registered trademarks of Lutron Ketra, LLC, in the US and/or other countries. HomeWorks is a trademark or registered trademark of Lutron Electronics Co., Inc. in the US and/or other countries.