

N3 Satellite

Enables Ketra's luminaires to join the Ketra control network

Wireless network for easy installation

On-board content storage and astronomical time clock

Low voltage interface ports for interfacing with occupancy/vacancy and daylight sensors, 0-10 V, contact closure, and DMX devices ¹



ORDERING GUIDE

Please download this PDF to use the interactive drop down features of the ordering guide.

Product Line	Model	16 Region /Voltage	Installation	BK Housing Color
--------------	-------	-----------------------	--------------	---------------------

Order code: _____

Product Line	Code	Region / Voltage	Code
Commercial	CM-	North America, 100-277 V~ 60 Hz	16
Residential (HomeWorks compatible)	HW-		
		Installation	
		Recessed Rated Housing	REC
		Plenum Rated Housing	PLE
Model		Housing Color	
KetraNet N3 Satellite Link	N3IND	Black	BK
CCX N3 Satellite Link ²	N3LTX		

¹ Functionality will vary between the KetraNet and Clear Connect Type X versions of the N3.

² CCX stands for Clear Connect Type X.

SPECIFICATIONS¹

Optical & Electrical Performance

Operating Temperature	-20 to 50 °C
Storage Temperature	-20 to 80 °C
Humidity	0 - 95%, Non-condensing
Certification	UL, cUL, FCC Class A, RoHS
Location ¹	UL Damp Location, IP20
Outdoor Use	Not for use in outdoor applications

Mechanical

Weight	2.93 lbs, 1.33 kg
Housing Material	Formed Steel, Polymer

Power

Load Ratings	Per Unit: 16 A @ 120 V~ 60 Hz (20 A de-rated to 80%)
Power Requirements	Unit consumes 5 W electrical power Current: 0.041 A @ 120 V~
To compute total load, add 5W to sum of all connected luminaire power ratings.	
Voltage	120-277 V~ 60 Hz

Enclosure & Connections

Connections (Class 1)	
AC Power In (3 Conductor 100-277 V~ 60Hz)	10 - 16 AWG (4 - 1 mm ²)
AC Power Out (4 Conductor)	Standard Ketra Leader Cable or 10 - 16 AWG (4 - 1 mm ²)

Connections (Class 2)	
Multifunction I/O (4 channels)	16 - 24 AWG (1 - 0.2 mm ²)
Max Voltage per channel:	30 V ⁻⁻⁻

0-10 V Input/Output

0-10 V Sinking	
Max Current Per Channel:	100 mA
Max Total Current:	200 mA

0-10 V Current Sourcing

Max Current Per Channel:	less than 5 uA
--------------------------	----------------

0-24 V Input

Voltage Range:	0 to 24 V
----------------	-----------

Contact closure mode

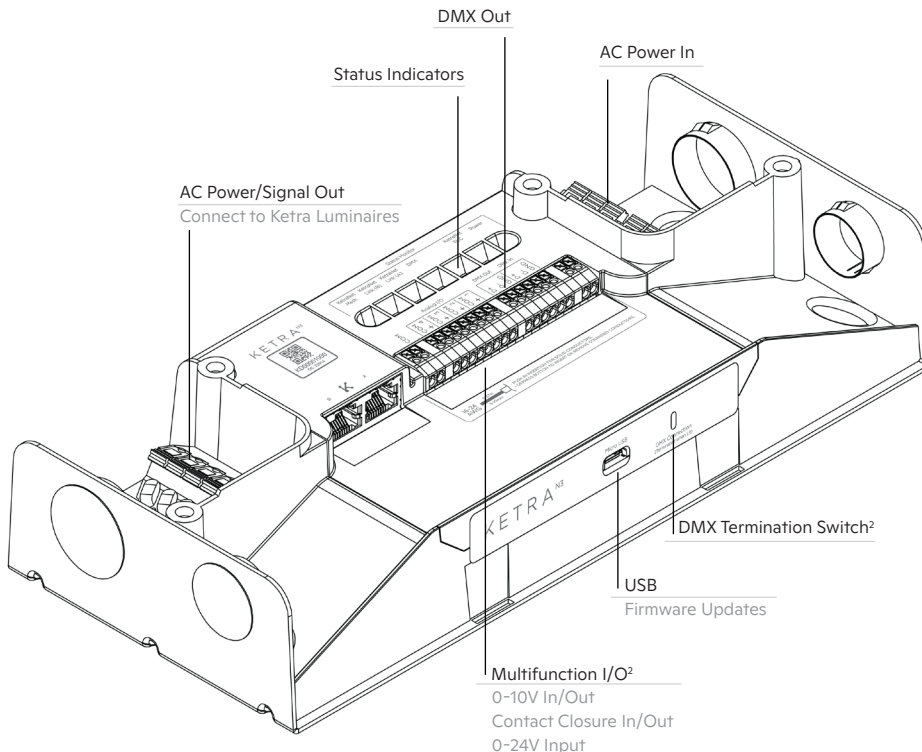
Maximum output sink current (per channel):	1.0 A
--	-------

Full Universe of DMX Out

KetraNet Mesh Wireless

USB Port

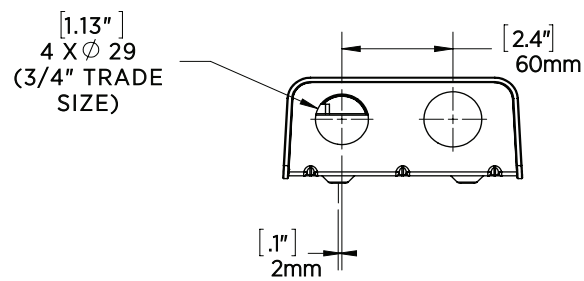
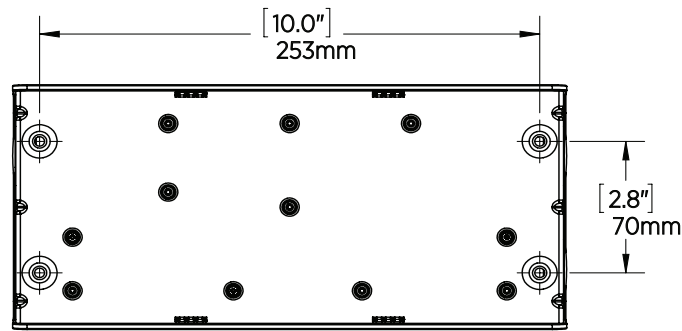
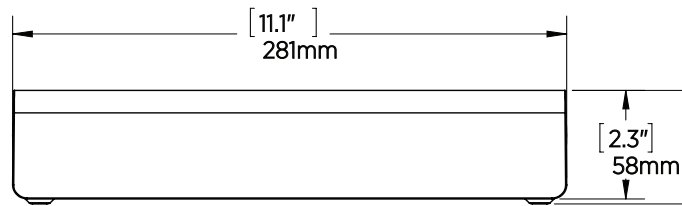
1 - Micro-B USB console port,
for firmware updates



Note: USB port not accessible with cover installed. Allow clearance around product for access after installation.

¹ Product includes on-board wireless radio for communications. Do not enclose in metallic enclosure as it may impact radio performance.
² Functionality will vary between the KetraNet and Clear Connect Type X versions of the N3.

PRODUCT DIMENSIONS



The Ketra logo, Ketra, and KetraNet are trademarks or registered trademarks of Lutron Ketra, LLC, in the US and/or other countries. Clear Connect is a trademark or a registered trademark of Lutron Electronics Co., Inc. in the US and/or other countries.