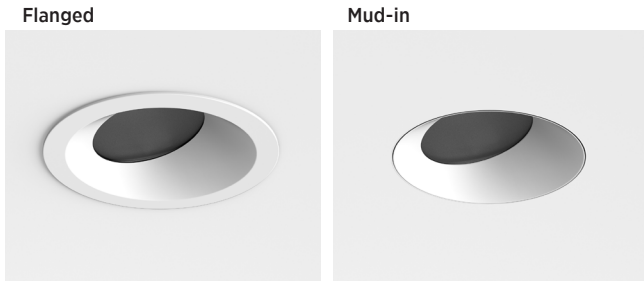


# KETRA

## D3 WALL WASH, ROUND

Type: \_\_\_\_\_  
 Project: \_\_\_\_\_  
 Comments: \_\_\_\_\_  
 Prepared By: \_\_\_\_\_



Tunable, fixture produces a wide range of 90+ CRI/R9 whites from 1400K-10,000K, as well as pastels and saturated colors

Closed-loop color point maintenance to <1 MacAdam ellipse over lifetime and temperature

Integrated temperature protection maintains safe operating conditions

Wirelessly dimmable to 0.1%

On-board wireless control enables individual addressability and control

### HARDWARE ORDERING GUIDE

#### HOUSING

<input type="text"/>	<input type="text"/>				
Product Line	Fixture & Trim				
<input type="text"/>	BT	WW	<input type="text"/>	NCIC	SP
Wattage	Platform & Control	Beam Angle	Voltage & Region	Housing Type	Shipping Option

Example **Housing** Order Code: **CM-D3WWRD 09 BT WW 11 NCIC SP**

	Code		Code
Product Line		Beam Angle	
Commercial	<b>CM-</b>	Wall Wash	<b>WW</b>
Residential (Homeworks compatible)	<b>HW-</b>		
Fixture & Trim		Voltage & Region	
D3 Wall Wash, Round *	<b>D3WWRD</b>	120VAC 60Hz, North America	<b>11</b>
D3 Wall Wash, Round Mud-in **	<b>D3WWRM</b>	277VAC 60 Hz, North America	<b>12</b>
		Housing Type	
Wattage		New Construction, IC/Airtight	<b>NCIC</b>
9 Watts	<b>09</b>	Shipping Option	
13 Watts	<b>13</b>	Single Pack	<b>SP</b>
18 Watts	<b>18</b>	(Default, ships with Butterfly Brackets & 24" Nailer Bars to be installed in field)	
Platform & Control			
Wide Gamut, Tunable	<b>BT</b>		

#### TRIM

<input type="text"/>	<input type="text"/>	<input type="text"/>
UN-		
Product Line		
<input type="text"/>	<input type="text"/>	W
Model	Trim Color	Trim Accessory

Example **Trim** Order Code: **UN-D3TFRW1BK W**

	Code
Product Line	
Universal	<b>UN-</b>
Model	
D3 Round Wall Wash	<b>D3TFRW1</b>
*Not compatible with flangeless housing	
D3 Round Flangeless Wall Wash	<b>D3TXRW1</b>
**Not compatible with flanged housing	
Trim Color	
White	<b>WH</b>
Black	<b>BK</b>
Trim Accessory <sup>1</sup>	
Wall Wash	<b>W</b>

<sup>1</sup> Downlight is wet location rated.

# KETRA

D3 WALL WASH, ROUND

## SPECIFICATIONS<sup>1</sup>

### OPTICAL & ELECTRICAL PERFORMANCE<sup>1</sup>

Delivered Lumen Output <sup>2</sup>			
Beam Angle (1" recess)	9W	13W	18W
Wall Wash	414lm	573lm	705lm
CRI (Ra) <sup>3</sup>	>90 (R9>90) 2400K-5000K TYP		
Lumen Maintenance <sup>4</sup>	50,000 hours to L70 @ 25°C T <sub>A</sub>		
Color Spatial Uniformity <sup>3</sup>	<2 MacAdam ellipses across field angle		
Color Point Range <sup>4</sup>	1400°K-10,000°K, Fully Saturated, & Pastel		
Equivalent Traditional Lamp	75W halogen		
Dimming Range <sup>4</sup>	0.1-100%lm		
Power consumption	D3.09 9W		
	D3.13 13W		
	D3.18 18W		
Voltage	120VAC 60Hz 277VAC 60Hz		
Power Factor	>0.9		
Inrush Current <sup>5</sup>	800mA, 0.2 ms duration		
Delivered Efficacy			
Beam Angle	9W	13W	18W
Wall Wash	46lm/W	44lm/W	39lm/W
Surge Protection	2.5KV		
Control Protocol	KetraNet Mesh		

### ENVIRONMENTAL

Operating Temperature (T <sub>A</sub> )	0 - 40°C
Storage Temperature	-20 - 80°C
Humidity	0 - 95%, Non-condensing
Certification	UL, cUL, 120V: FCC Class B, 277V: FCC Class A
Location	UL Wet Location

### MECHANICAL

Mounting Options	Hanger Bars/ Butterfly Brackets
Field Replaceable Optics	Yes
Field Replaceable Light Engine	Yes
Field Replaceable Power Supply	Yes
Housing Material	Powder Coated Steel, Polymer
Lens Material	Glass

### DIMENSIONS

Ceiling Hole Diameter	4" Flanged; 5.5" Mud-in
Trim Outside Diameter	4.63" Flanged; 3.75" Mud-in
Trim Inside Diameter	3.75"
Trim Thickness	1/6" (Flanged only)
Optics Outside Diameter	2.5"
Trim Depth	1"
Ceiling Thickness	0.625" - 1.5"
Aiming	Tilt Fixed at 20° 364° Rotation
Service Position	Tilt to 40° Full 364° Rotation
Emitter Vertical Adjustment (tool-free)	0.75"
Housing Vertical Adjustment via Butterfly Bracket	1.75"
Housing Height	3.50"
Housing Length	18.38"
Housing Width	10"
Unit Weight	7.75 lb

<sup>1</sup> All performance measurements taken with 1" trim, with light engine at nadir at the low regress position, at 3000K, 25°C ambient, 100% power input, unless otherwise stated.

<sup>2</sup> Lumen measurement complies with IES LM-79-08 testing procedures.

<sup>3</sup> Lumen maintenance values calculated in accordance to TM-21 procedures based on LM-80 compliant measurement data.

<sup>4</sup> Intensity and color point controlled via Ketra's wireless network.

<sup>5</sup> For more information on inrush current, refer to Ketra's Inrush App Note in the Support section of our website.

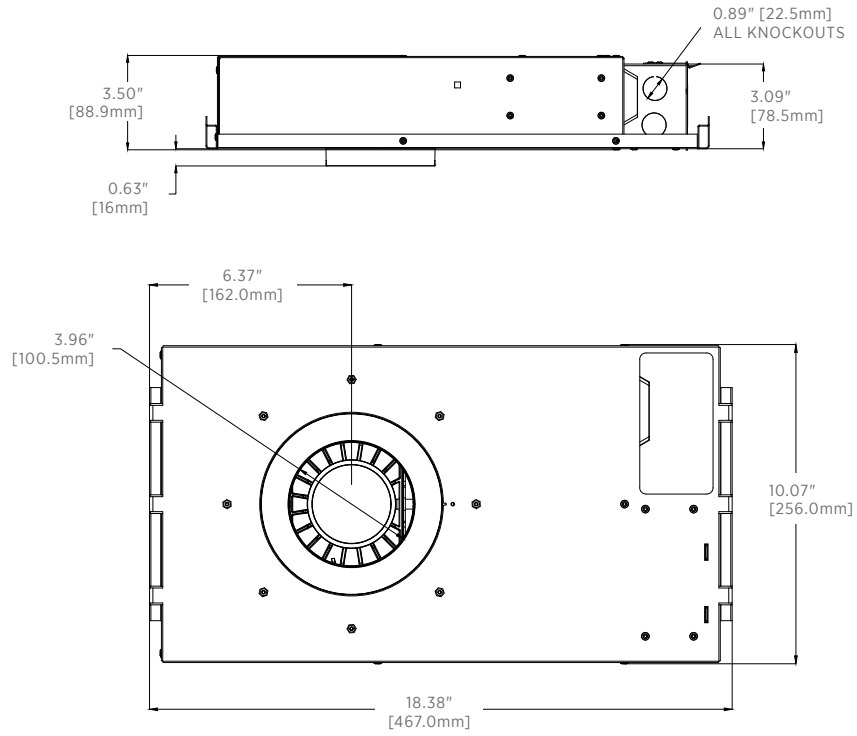
\* For Title 24 and Title 20 compliant model numbers or for more information, please contact Customer Service at sales@ketra.com or 512.872.4349.

# KETRA

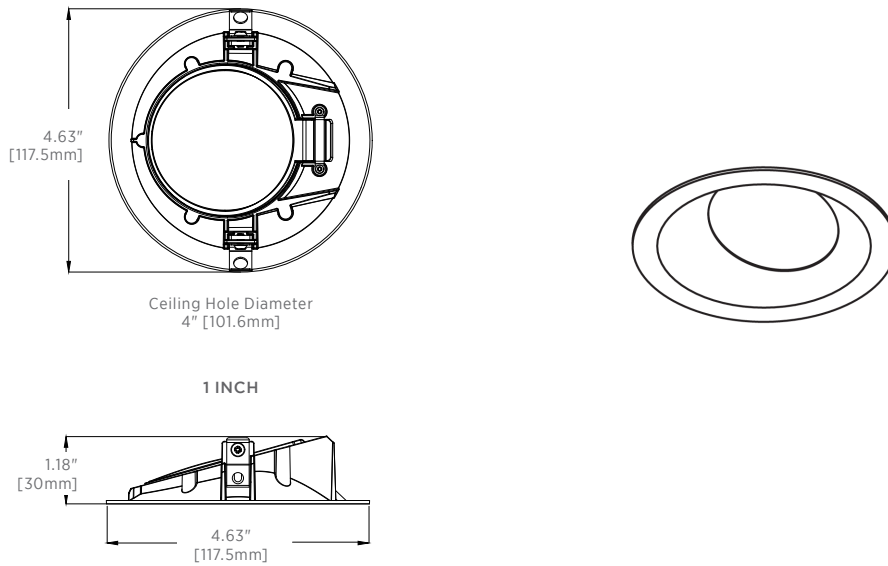
D3 WALL WASH, ROUND

## DIMENSION DRAWINGS

### FLANGED HOUSING



### FLANGED TRIM



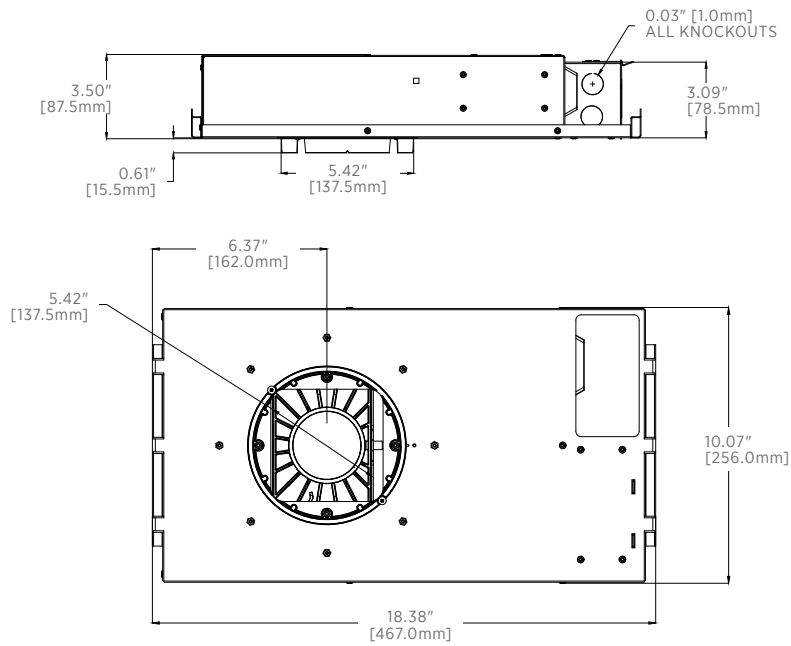
770-000028-05 r12  
Specifications are subject to change without notice

# KETRA

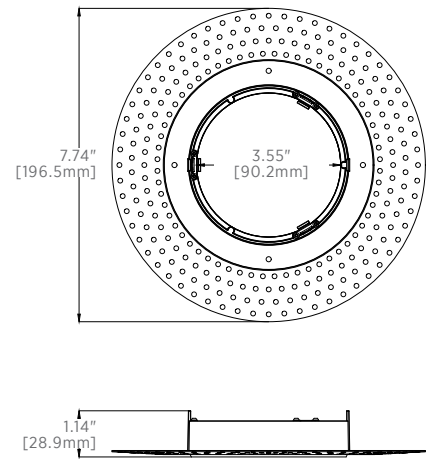
D3 WALL WASH, ROUND

## DIMENSION DRAWINGS

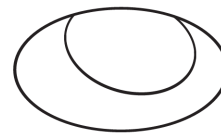
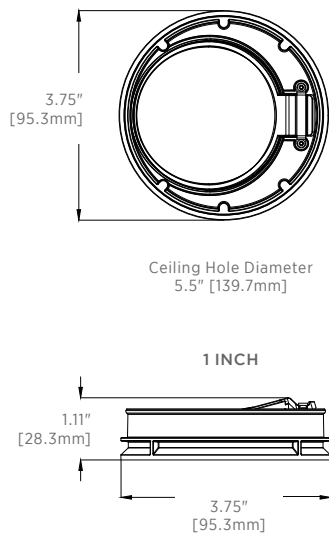
### MUD-IN HOUSING



### MUD-IN TRIM RETAINER



### MUD-IN TRIM



770-000028-05 r12  
Specifications are subject to change without notice

# KETRA

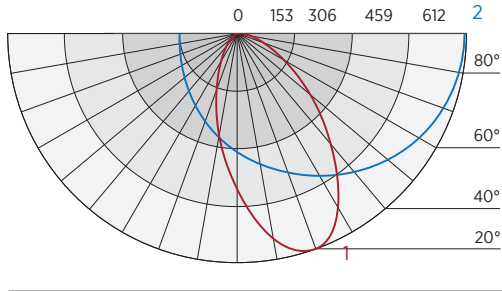
D3 WALL WASH, ROUND

## ISO FOOTCANDLE CHARTS: 2700 - 5000K VALUES ONLY, DELIVERED LUMENS

LM-79 compliant IES files available upon request.

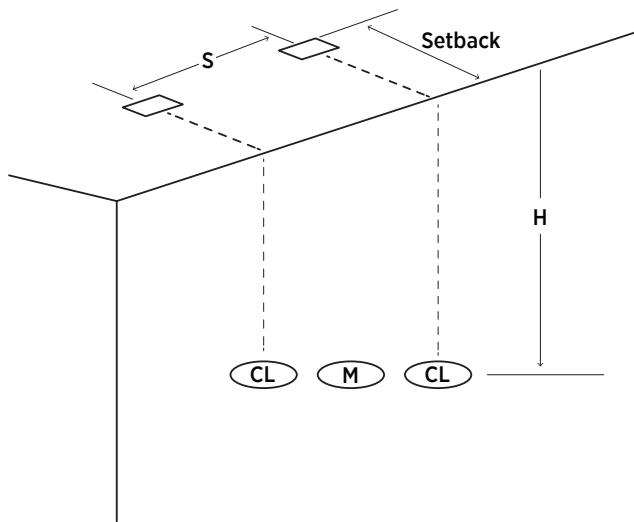
### BEAM ANGLE: WALL WASH

Product Code	Wattage	Lumens
D3WWRD18BTWW	18W	714



- 1 Vertical plane through horizontal angles (0-180) (through max. cd.)
- 2 Horizontal cone through vertical angle (20) (through max. cd.)

### MULTIPLE UNITS DIAGRAM



2' from wall ("Setback")	2' on Center (S)			3' on Center (S)			4' on Center (S)		
	CL	M	CL	CL	M	CL	CL	M	CL
Distance from Ceiling (H)									
1'	30	29	30	21	20	21	17	14	17
2'	42	43	43	30	30	30	24	21	24
3'	43	45	45	32	31	31	25	23	25
4'	35	36	36	26	26	25	20	20	20
5'	25	26	27	20	19	19	15	15	15
6'	18	19	20	15	15	14	12	12	11
7'	14	14	15	11	11	11	9	9	9
8'	10	11	11	9	9	9	7	7	7
9'	8	9	9	7	7	7	6	6	6
10'	7	7	7	6	6	6	5	5	5

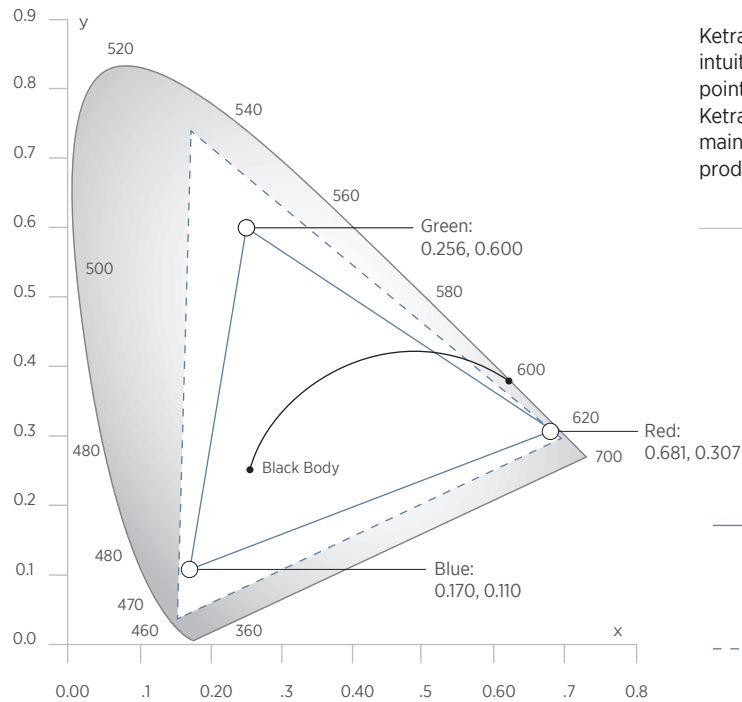
3' from wall ("Setback")	2' on Center (S)			3' on Center (S)			4' on Center (S)		
	CL	M	CL	CL	M	CL	CL	M	CL
Distance from Ceiling (H)									
1'	14	15	15	11	11	11	9	8	9
2'	24	25	25	18	18	18	14	13	14
3'	30	31	31	22	23	23	18	16	18
4'	29	30	31	22	23	23	18	16	18
5'	25	26	26	19	20	20	16	14	16
6'	20	21	21	16	16	17	13	12	13
7'	16	17	17	13	14	14	11	10	11
8'	13	14	14	11	11	11	9	8	9
9'	11	11	11	9	10	10	8	7	8
10'	9	9	9	8	8	8	7	6	7

Calculated with five luminaires. Reflectances: 80, 50, 20.  
Values are rounded to the nearest footcandle.

770-000028-05 r12  
Specifications are subject to change without notice

## WIDE GAMUT

CIE 1931 Color Chart



Ketra's tunable spectrum D3 downlight can easily be configured via Ketra's intuitive Design Studio software. The product can reproduce any color point within the triangle shaped gamut indicated in the chart below. With Ketra's innovative optical and thermal feedback system, the color point is maintained to an accuracy of <1 MacAdam ellipse over the lifetime of the product and across operating temperature range

- **Calibrated Gamut:** Color point is maintained to an accuracy of <1 MacAdam ellipse over the lifetime of the product and across operating temperature range.
- - - **Expanded Gamut:** Color calibration is relaxed such that each product produces the most saturated color it is capable of.

## GENERAL SPECIFICATIONS

LED downlight shall employ closed loop optical and thermal feedback capable of maintaining color point accuracy of <1 MacAdam ellipse.

LED downlight shall have color spatial uniformity of <2 MacAdam ellipses over full field angle.

LED downlight shall have an integrated wireless control onboard.

LED downlight shall be capable of a CRI >90 along the Black Body Curve from 2700-5000K.

LED downlight lamp shall be a single source multi-die emitter consisting of both monochromatic and phosphor converted blue LED dye.

LED downlight shall be sealed, meeting UL damp location (and UL Wet Location with Wet Location Trim) requirements.

LED downlight shall be dimmable to 0.1% of measured luminous flux with wireless dimming.

LED downlight shall be UL listed and RoHS compliant.

LED downlight shall be capable of in situ firmware and software upgrades.

Ketra LED Fixtures are warranted to be free from material defects in material and workmanship for five (5) years or 25,000 hours from date of shipment, whichever is less.

LED D3 Fixture shall be # \_\_\_\_\_

## TROUBLESHOOTING

The D3 uses built-in tests to check wiring and wireless connectivity. These tests run each time the D3 turns on, and may take several minutes.

**Note: The D3 will NOT run these tests while provisioned to a Design Studio installation.**

If the D3 finds a problem, it will let you know by emitting a corresponding color or, if no emitter is connected, by flashing the indicator lights on its power supply.

### DIAGNOSTIC COLORS (REQUIRES EMITTER)

The D3 will emit a color to tell you the type of problem.

COLOR	CONDITION	CORRECTION
Red	Invalid input voltage on the power line	Ensure the input voltage matches the expected voltage for the D3's model.
Magenta	Poor wireless connectivity	Ensure that the D3 is not in a metal enclosure and that there are no significant obstructions between the D3 and other Ketra devices. <b>Note:</b> In some circumstances, magenta is expected. See the note below the table.
Yellow	Fair wireless connectivity	Ensure that the D3 is not in a metal enclosure and that there are no significant obstructions between the D3 and other Ketra devices.