

# KETRA

## S30 TUNABLE LAMP

Type: \_\_\_\_\_  
 Project: \_\_\_\_\_  
 Comments: \_\_\_\_\_  
 Prepared By: \_\_\_\_\_



Fully tunable spectrum single point source produces wide range of 90+ CRI white, pastels and saturated colors

Closed-loop color point maintenance to <1 MacAdam ellipse over lifetime and temperature

Integrated temperature protection maintains product within safe operating conditions

Wirelessly dimmable to 0.1%

On-board wireless control enables individual addressability and control at a competitive system level price point

### HARDWARE ORDERING GUIDE

<input type="text"/>	S30	<input type="text"/>	BT	<input type="text"/>	<input type="text"/>	<input type="text"/>
Product Line	Model	Lumens	Platform & Control	Beam Angle	Region/ Voltage/ Base	Housing Color

Example Order Code: **CM-S30 08 BT FL 11E26 WH**

Product Line	Code	Beam Angle	Code
Commercial	<b>CM-</b>	Spot (15°)	<b>SP</b>
Residential (Homeworks compatible)	<b>HW-</b>	Flood (25°)	<b>FL</b>
		Wide Flood (40°)	<b>WFL</b>
		Very Wide Flood (60°)	<b>VFL</b>
		Extra Wide Flood (90° BR Style)	<b>XFL</b>
Model		Region/ Voltage/ Base	
S Series PAR30 Long Neck Lamp	<b>S30</b>	North America, 120 VAC 60Hz, E26	<b>11E26</b>
		North America, 120 VAC 60Hz, GU24	<b>11G24</b>
Lumens		Housing Color	
800	<b>08</b>	White	<b>WH</b>
1050 <sup>1</sup>	<b>10</b>	Black	<b>BK</b>
Platform & Control (see page 4 color chart)			
Wide Gamut, Tunable	<b>BT</b>		

<sup>1</sup> This option is not available for sale in California.

\* For Title 24 and Title 20 compliant model numbers or for more information, please contact Customer Service at sales@ketra.com or 512.872.4349.

# KETRA

## S30 TUNABLE LAMP

### SPECIFICATIONS<sup>1</sup>

#### OPTICAL & ELECTRICAL PERFORMANCE

Lumen Output <sup>2</sup>	825 lm/ 1050 lm
CRI (Ra) <sup>3</sup>	>90 (R9 >90)
Lumen Maintenance <sup>3</sup>	50,000 hours to L70 @ 25°C TA
Color Spatial Uniformity	<2 MacAdam ellipses across field angle
Color Point Maintenance <sup>4</sup>	<1 MacAdam ellipse over product lifetime
Color Point Range <sup>4</sup>	1400°K-10,000°K, Fully Saturated, & Pastel
Equivalent Traditional Lamp	75W halogen PAR30
Dimming Range <sup>4</sup>	0.1-100% lm

#### ENVIRONMENTAL

Operating Temperature <sup>5</sup>	0 to 50°C
Storage Temperature	-20 - 80°C
Humidity	0 - 95%, Non-condensing
Certification	UL, cUL, RoHS, FCC Class B
Location	UL Damp Location, IP20

#### MECHANICAL

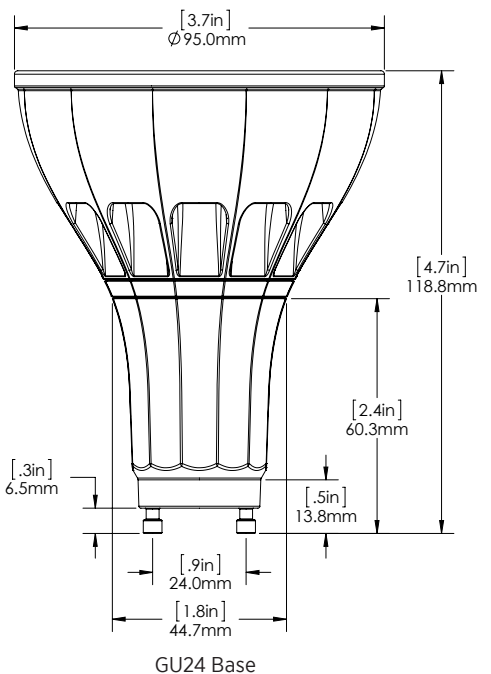
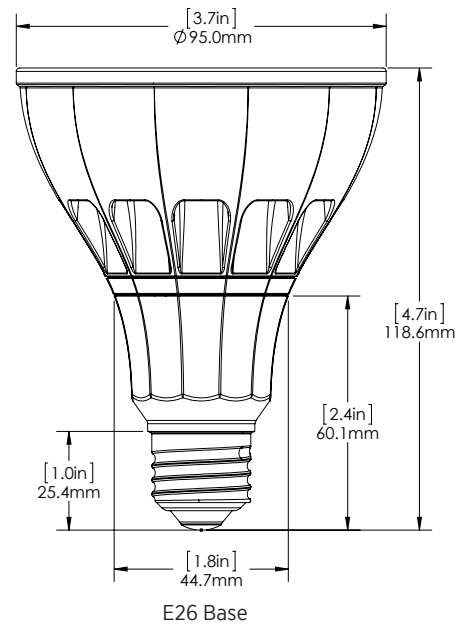
Weight	1.35 lbs, 600 g
Housing Material	Powder Coated Aluminum, Polymer
Lens Material	UL Damp Location, IP20, Suitable for use in fully enclosed luminaires
Base Type	E26 GU24

#### ELECTRICAL

Power consumption	S30.08 11W/ S30.10 17W
Power Factor	>0.9
Current	170 mA Max
Efficacy	S30.08 75 lm/W / S30.10 62 lm/W

#### ACCESSORIES

S30 Accessory Short Snoot	S30ASNT55 WH/BK
S30 Accessory Tall Snoot	S30ASNT30 WH/BK
S30 Accessory 45° Hex Louver Includes Short Snoot	S30ALUV45 WH/BK
S30 Accessory 15° Baffle Includes Tall Snoot	S30ABFL15 WH/BK



CAD files available upon request

<sup>1</sup> All performance measurements taken at 3000K, 25°C ambient, 100% power input, unless otherwise stated.

<sup>2</sup> Lumen measurement complies with IES LM-79-08 testing procedures.

<sup>3</sup> Lumen maintenance values calculated in accordance to TM-21 procedures based on LM-80 compliant measurement data.

<sup>4</sup> Intensity and color point controlled via Ketra's wireless network

<sup>5</sup> Suitable for use in fully enclosed luminaires

## ISO FOOTCANDLE CHARTS: 2700 - 5000K VALUES ONLY

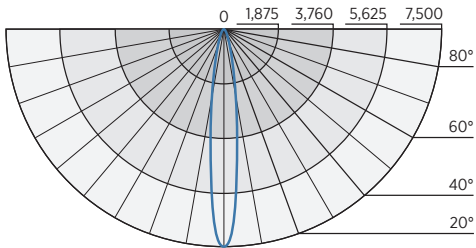
LM-79 compliant IES files available upon request.

### Beam Angle: 15° Spot (SP)

Product Code <sup>1</sup>	Wattage	Lumens	CBCP
S3010BTSP11E26WH	17W	1050	7501

Foot-candles	Distance From Light	Beam Dia.
1876	2'	0.53'
469	4'	1.05'
208	6'	1.58'
117	8'	2.11'
75	10'	2.63'

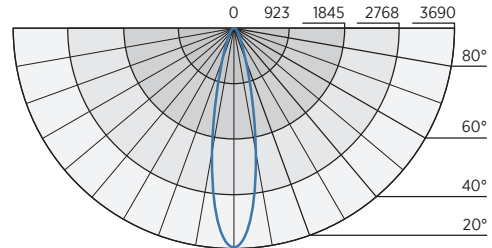


### Beam Angle: 25° Flood (FL)

Product Code <sup>1</sup>	Wattage	Lumens	CBCP
S3010BTFL11E26WH	17W	1050	3672

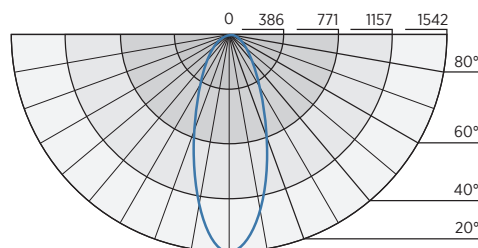
Foot-candles	Distance From Light	Beam Dia.
918	2'	0.89'
230	4'	1.77'
102	6'	2.66'
57	8'	3.55'
37	10'	4.43'



### Beam Angle: 40° Wide Flood (WFL)

Product Code <sup>1</sup>	Wattage	Lumens	CBCP
S3010BTWFL11E26WH	17W	1050	1542

Foot-candles	Distance From Light	Beam Dia.
386	2'	1.46'
96	4'	2.91'
43	6'	4.37'
24	8'	5.82'
15	10'	7.28'



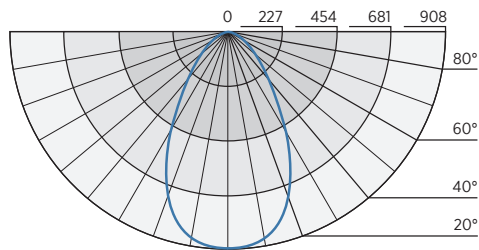
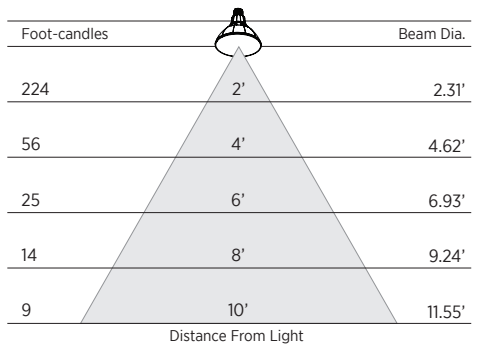
<sup>1</sup> Performance data applies to all base types and housing colors.

## ISO FOOTCANDLE CHARTS: 2700 - 5000K VALUES ONLY

LM-79 compliant IES files available upon request.

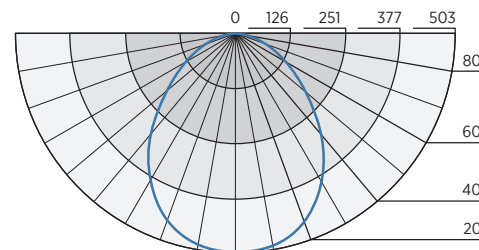
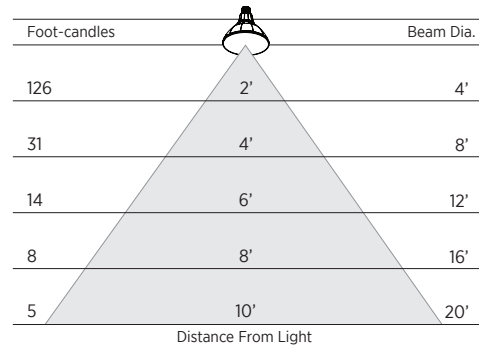
### Beam Angle: 60° Very Wide Flood (VFL)

Product Code <sup>1</sup>	Wattage	Lumens	CBCP
S30101BTVFL11E26WH	17W	1050	897



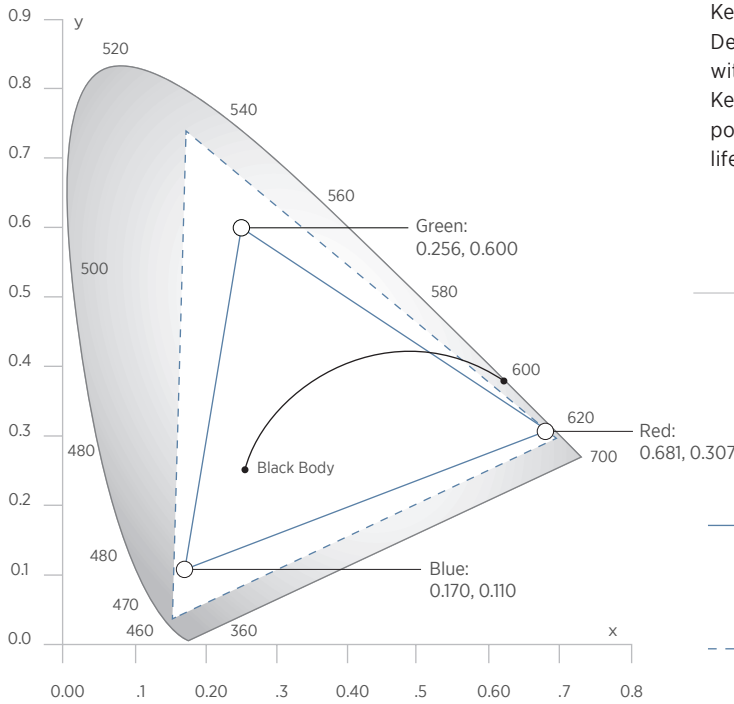
### Beam Angle: 90° Extra Wide Flood (XFL)

Product Code <sup>1</sup>	Wattage	Lumens	CBCP
S30101BTXFL11E26WH	17W	1050	503



## WIDE GAMUT

CIE 1931 Color Chart



Ketra's S30 Tunable lamp can easily be configured via Ketra's intuitive Design Studio software. The product can reproduce any color point within the triangle shaped gamut indicated in the chart below. With Ketra's innovative optical and thermal feedback system, the color point is maintained to an accuracy of <1 MacAdam ellipse over the lifetime of the product and across operating temperature range.

— **Calibrated Gamut:** Color point is maintained to an accuracy of <1 MacAdam ellipse over the lifetime of the product and across operating temperature range.

- - - **Expanded Gamut:** Color calibration is relaxed such that each product produces the most saturated color it is capable of.

## GENERAL SPECIFICATIONS

LED PAR30 lamp shall employ closed loop optical and thermal feedback capable of maintaining color point accuracy of <1 MacAdam ellipse.

LED PAR30 lamp shall have color spatial uniformity of <2 MacAdam ellipses over full field angle.

LED PAR30 lamp shall have an integrated wireless control onboard.

LED PAR30 lamp shall be capable of a CRI >90 at any point along the Black Body Curve from 2700 - 5000K.

LED PAR30 lamp shall be a single source multi-die emitter consisting of both monochromatic and phosphor converted blue LED dye.

LED PAR30 lamp shall be sealed, meeting UL damp location (and UL Wet Location with Wet Location Trim) requirements.

LED PAR30 lamp shall be dimmable to 0.1% of measured luminous flux with wireless dimming.

LED PAR30 lamp shall be UL listed and RoHS compliant.

LED PAR30 lamp shall be capable of in situ firmware and software upgrades.

Ketra's LED PAR30 lamp is warranted to be free from material defects in material and workmanship for five (5) years or 25,000 hours from date of shipment, whichever is less.

LED PAR30 lamp shall be # \_\_\_\_\_