

KETRA

S30 TRACK LUMINAIRE

Type: _____
 Project: _____
 Comments: _____
 Prepared By: _____



Leverage the full feature set of Ketra's S30 LED Lamp

Constant torque hinge provides 90° of tilt aiming at any increment, without the need for a mechanical lock

365° of rotation eliminates any aiming shadows

Optional optical accessories allow control of the beam and of Ketra's S30 with precision

HARDWARE ORDERING GUIDE

<input type="text"/>	TA	S30	<input type="text"/>	BT	<input type="text"/>	11	G24	<input type="text"/>	<input type="text"/>	<input type="text"/>
Product Line	Series	Form Factor	Lumens	Platform & Control	Beam Angle	Region & Voltage	Base Type	Adapter Type	Housing Color	Accessory Type

Example Order Code: **CM TA S30 09 BT FL 11 G24 H WH SNT55**

	Code		Code		Code
Product Line		Platform & Control (see page 3 color chart)		Adapter Type	
Commercial	CM	Wide Gamut, Tunable	BT	"H-Type" Compatible	H
Residential (Homeworks compatible)	HW			½" NPT Canopy Mount	N
Model		Beam Angle		Housing Color	
Track Luminaire	TA	Spot (15°)	SP	White	WH
		Flood (25°)	FL	Black	BK
		Wide Flood (40°)	WFL		
Form Factor		Very Wide Flood (60°)	VFL	Accessory Type	
S30	S30	Extra Wide Flood (90° BR Style)	XFL	Short Snoot 5° cutoff	SNT55
Lumens		Region/ Voltage		Tall Snoot 30° cutoff	SNT30
S30-800lm	08	North America, 120VAC 60Hz	11	Hex Louver 45° cutoff, includes SNT55	LUV45
S30-1000lm ¹	10	Base Type		Baffle 15° cutoff, includes SNT30	BFL15
		GU24	G24	No Accessory	NA

¹ This option is not available for sale in California.

KETRA

S30 TRACK LUMINAIRE

SPECIFICATIONS¹

OPTICAL PERFORMANCE

Lumen Output ²	825 lm/ 1050 lm
CRI (Ra) ³	>90 (R9>90)
Lumen Maintenance ⁴	36,000 hours to L70 @ 25°C T _A
Color Spatial Uniformity	<2 MacAdam ellipses across field angle
Color Point Maintenance	<1 MacAdam ellipse over product lifetime
Equivalent Traditional Lamp	75W halogen PAR30
Dimming Range ⁵	0.1-100%lm

ENVIRONMENTAL

Operating Temperature (T _A) ⁶	0-50°C
Storage Temperature	-20-80°C
Humidity	0-95%, Non-condensing
Certification	UL, cUL, RoHS, FCC Class B
Location	UL Damp Location, IP20, Suitable for use in fully enclosed luminaires

MECHANICAL

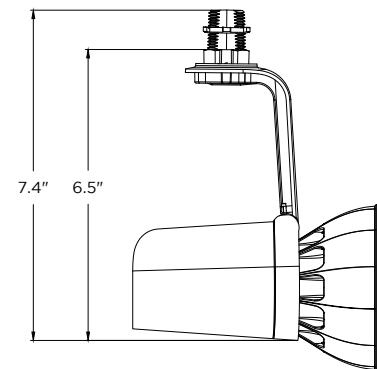
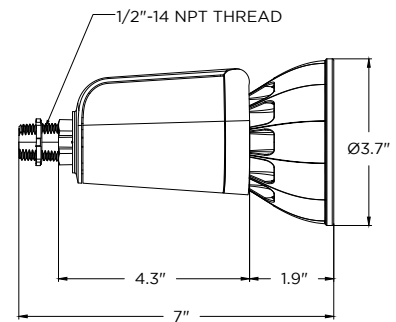
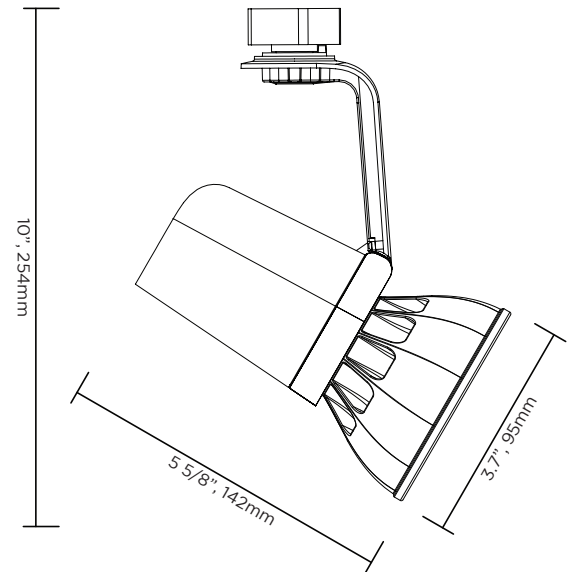
Weight	11.95 oz, 339 g
Housing Material	Powder Coated Aluminum, Polymer
Lens Material	Non-yellowing PMMA
Base Type	GU24

ELECTRICAL

Power Consumption	S30.08 11W/ S30.10 17W
Power Factor	>0.9
Current	170 mA Max
Efficacy	S30.08 75 lm/W / S30.10 62 lm/W

ACCESSORIES

S30 Accessory Snoot 30° cutoff, White	S30ASNT30WH
S30 Accessory Snoot 30° cutoff, Black	S30ASNT30BK
S30 Accessory Snoot 55° cutoff, White	S30ASNT55WH
S30 Accessory Snoot 55° cutoff, Black	S30ASNT55BK
S30 Accessory Louver 45° cutoff, White (Requires S30ASNT55)	S30ALUV45WH
S30 Accessory Louver 45° cutoff, Black (Requires S30ASNT55)	S30ALUV45BK
S30 Accessory Baffle 15° cutoff, White (Requires S30ASNT30)	S30ABFL15WH
S30 Accessory Baffle 15° cutoff, Black (Requires S30ASNT30)	S30ABFL15BK



CAD files available upon request

¹ All performance measurements taken at 3000K, 25°C ambient, 100% power input, unless otherwise stated.

² Lumen measurement complies with IES LM-79-08 testing procedures.

³ See color gamut chart at the end of this document.

⁴ Lumen maintenance values calculated in accordance to TM-21 procedures based on LM-80 compliant measurement data.

⁵ Intensity and color point controlled via Ketra's wireless network.

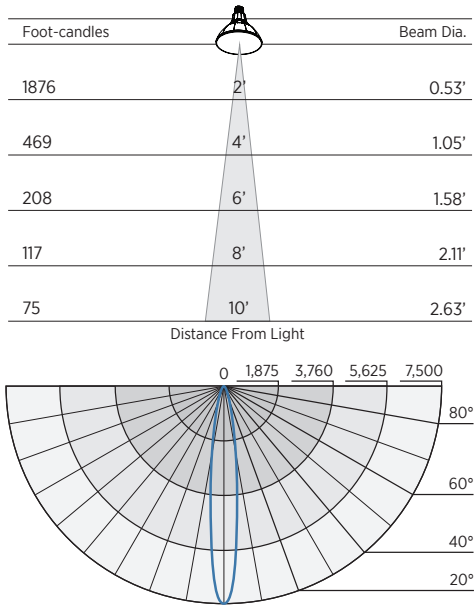
⁶ Suitable for use in fully enclosed luminaires.

ISO FOOTCANDLE CHARTS: 2700 - 5000K VALUES ONLY

LM-79 compliant IES files available upon request.

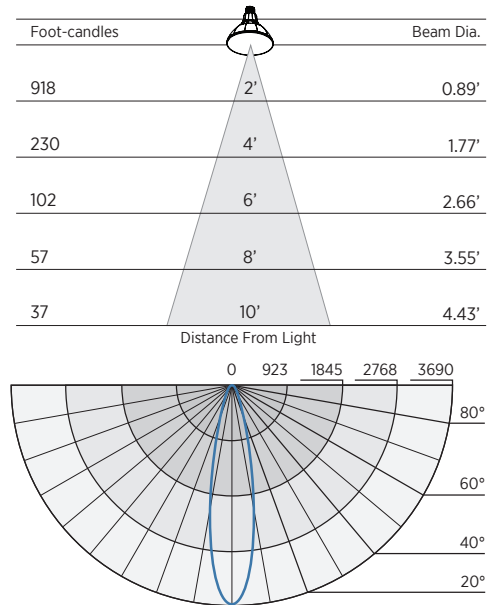
BEAM ANGLE: 15° SPOT (SP)

Product Code ¹	Wattage	Lumens	CBCP
S3010BTSP11E26WH	17W	1050	7501



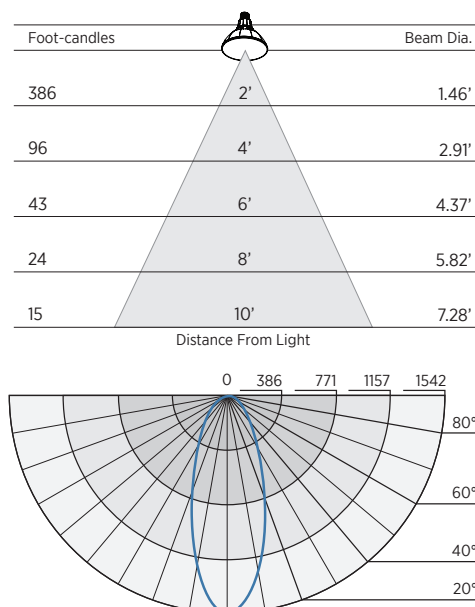
BEAM ANGLE: 25° FLOOD (FL)

Product Code ¹	Wattage	Lumens	CBCP
S3010BTFL11E26WH	17W	1050	3672



BEAM ANGLE: 40° WIDE FLOOD (WFL)

Product Code ¹	Wattage	Lumens	CBCP
S3010BTWFL11E26WH	17W	1050	1542

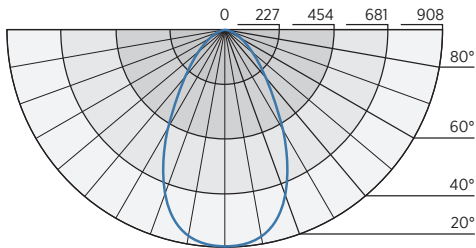
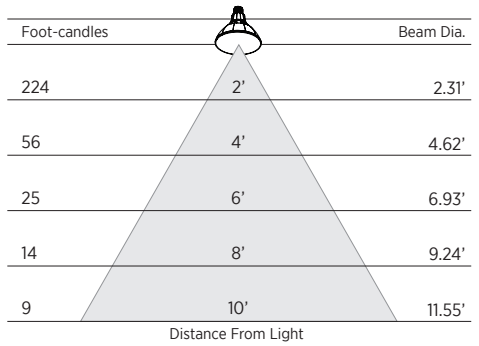


ISO FOOTCANDLE CHARTS: 2700 - 5000K VALUES ONLY

LM-79 compliant IES files available upon request.

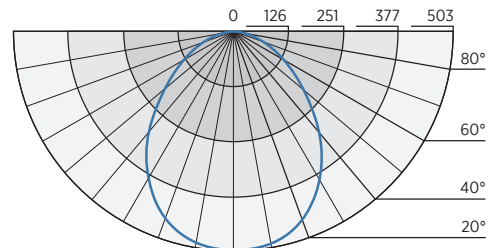
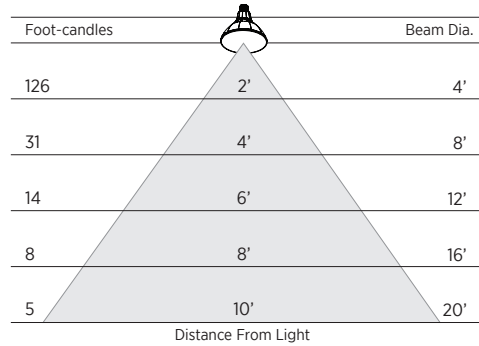
BEAM ANGLE: 60° VERY WIDE FLOOD (VFL)

Product Code ¹	Wattage	Lumens	CBCP
S30101BTVFL11E26WH	17W	1050	897



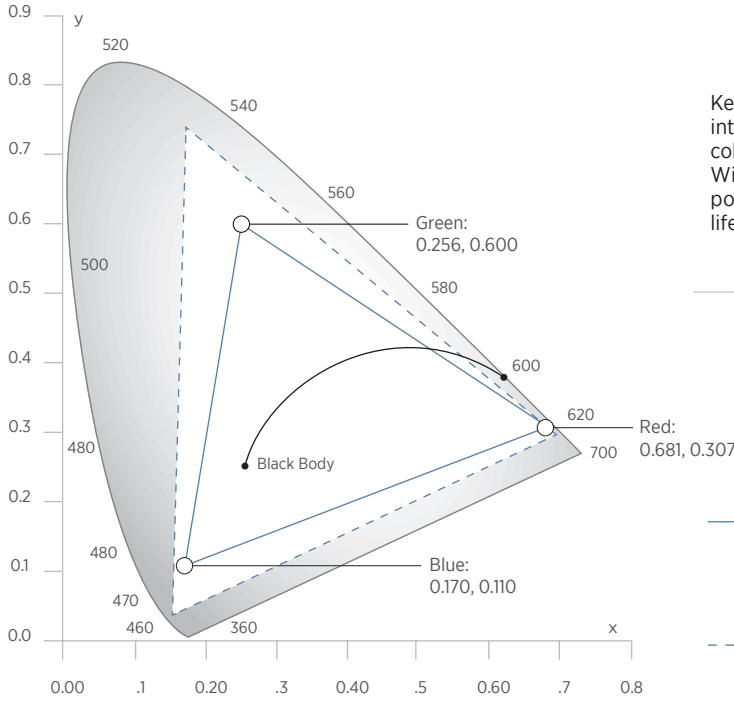
BEAM ANGLE: 90° EXTRA WIDE FLOOD (XFL)

Product Code ¹	Wattage	Lumens	CBCP
S30101BTXFL11E26WH	17W	1050	503



WIDE GAMUT

CIE 1931 Color Chart



Ketra's tunable spectrum lamp can easily be configured via our intuitive Design Studio software tool. The product can reproduce any color point within the triangle shaped gamut indicated in the chart below. With Ketra's innovative optical and thermal feedback system, the color point is maintained to an accuracy of <1 MacAdam ellipse over the lifetime of the product and across operating temperature range.

- **Calibrated Gamut:** Color point is maintained to an accuracy of <1 MacAdam ellipse over the lifetime of the product and across operating temperature range.
- - - **Expanded Gamut:** Color calibration is relaxed such that each product produces the most saturated color it is capable of.

GENERAL SPECIFICATIONS

LED Track Luminaire shall employ closed loop optical and thermal feedback capable of maintaining color point accuracy of <1 MacAdam ellipse.

LED Track Luminaire shall have color spatial uniformity of <2 MacAdam ellipses over full field angle.

LED Track Luminaire shall have an integrated wireless control on-board.

LED PAR38 lamp shall be capable of a CRI >90 at any point along the Black Body Curve from 2700 - 5000K.

LED Track Luminaire shall be a single source multi-die emitter consisting of both monochromatic and phosphor converted blue LED dye.

LED Track Luminaire shall be sealed, meeting UL damp location and IP50 requirements.

LED Track Luminaire shall be lamped with GU24 base lamps.

LED Track Luminaire shall be dimmable to 0.1% of measured luminous flux with wireless or TRIAC dimming.

LED Track Luminaire shall be UL listed and RoHS compliant.

LED Track Luminaire shall be capable of in situ firmware and software upgrades.

Ketra LED Lamps are warranted to be free from material defects in material and workmanship for five (5) years or 25,000 hours from date of shipment, whichever is less

LED Track Luminaire shall be # _____