

# KETRA

## P4 4" WIDE PENDANT

Type: \_\_\_\_\_  
 Project: \_\_\_\_\_  
 Comments: \_\_\_\_\_  
 Prepared By: \_\_\_\_\_



High performance stand alone pendant fixture

Tunable spectrum single point source produces wide range of white, pastels & saturated colors

Closed-loop color point maintenance to <1 MacAdam ellipse over lifetime and temperature

Programmable digital dimming to 0.1%

Connects with Ketra's N3 Satellite for power, wireless control and connection to Ketra's library of light content

Ketra's technology ensures consistent appearance and guaranteed compatibility over LED technology generations

### HARDWARE ORDERING GUIDE

#### HOUSING

<input type="text"/>	<input type="text"/>	<input type="text"/>	<input type="text"/>	<input type="text"/>	<input type="text"/>	<input type="text"/>	<input type="text"/>	<input type="text"/>	<input type="text"/>	
Product Line	P4	Length	Lumens	BT	Platform & Control	Lens Type	Region & Voltage	Housing Color	Ceiling Type	Aircraft Cable Length
<input type="text"/>	<input type="text"/>	<input type="text"/>	<input type="text"/>	<input type="text"/>	<input type="text"/>	<input type="text"/>	<input type="text"/>	<input type="text"/>	<input type="text"/>	<input type="text"/>
Cabling	Cable Color	Canopy								

Example Order Code: **CMP404804BTFO11MWC1361W5W**

Product Line	Code	Lens Type	Code	Aircraft Cable Length	Code
Commercial	<b>CM</b>	Flush Opal	<b>FO</b>	36 inches	<b>36</b>
Residential (Homeworks compatible)	<b>HW</b>	Alzak Louver	<b>AL</b>	72 inches	<b>72</b>
Model	Code	Region & Voltage	Code	Cabling	Code
4" Wide Pendant	<b>P4</b>	North America, 120VAC 60Hz	<b>11</b>	Input Only (5" or 2" canopy for non-powered point)	<b>1</b>
Length		North America, 277VAC 60Hz	<b>12</b>	Input & Output (5" canopy only)	<b>2</b>
48 inches	<b>048</b>	Housing Color		Cable Color	
72 inches	<b>072</b>	Matte White	<b>MW</b>	White	<b>W</b>
96 inches	<b>096</b>	Matte Black	<b>MB</b>	Black	<b>B</b>
Lumens	Code	Ceiling Type	Code	Canopy	Code
400 lm/ft	<b>04</b>	Hard Ceiling	<b>C1</b>	5" White	<b>5W</b>
600 lm/ft	<b>06</b>	T-Bar	<b>C2</b>	2" White (non-powered point)	<b>2W</b>
800 lm/ft	<b>08</b>			5" Black	<b>5B</b>
Platform & Control	Code			2" Black (non-powered point)	<b>2B</b>
Wide Platform, Tunable	<b>BT</b>				

770-000041-01-r14  
 Specifications are subject to change without notice

## SPECIFICATIONS<sup>1</sup>

### OPTICAL PERFORMANCE

Lumen Output <sup>2</sup>	P4.04 408lm/ft P4.06 608lm/ft P4.08 817lm/ft
CRI (Ra) <sup>3</sup>	>90
Lumen Maintenance <sup>3</sup>	50K Hours to L70@25°C Ambient
Color Spatial Uniformity <sup>3</sup>	<2 MacAdam ellipses across field angle
Color Point Range <sup>4</sup>	1,400-10,000K, Pastel and Saturate colors
Beam Angles	80x95°
Dimming Range <sup>4</sup>	0.1-100% lm output

### ENVIRONMENTAL

Ambient Operating Temperature	-20 to 50°C
Storage Temperature	-20 - 80°C
Humidity	0 - 95%, Non-condensing
Certification	UL, cUL, RoHS
Location	UL Damp Location, IP20

### MECHANICAL

Weight	1.35 lbs, 600 g
Housing Material	Powder Coated Aluminum, Polymer
Lens Material	Non-yellowing heat/ UV stabilized PMMA
Housing Material	Powder Coated Aluminum

### FORM FACTOR

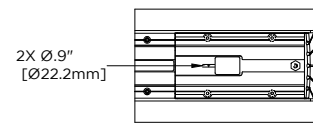
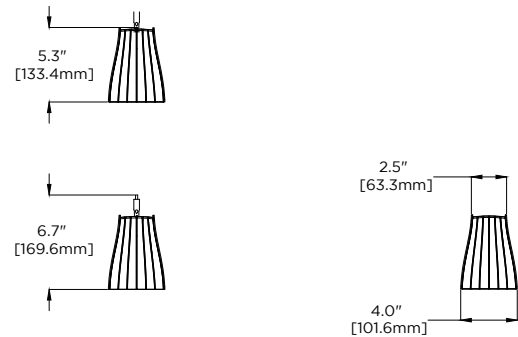
Dimensions	Length	Height	Width
	98"	5.3"	4"
	74"	(6.7" with mounting hardware)	
	50"		

### ELECTRICAL

Power consumption	P4.04 7.9W/ft P4.06 10.4 W/ft P4.08 13.5 W/ft
Power Factor	>0.9
Current	0.140 A/ft Max
Efficacy	P4.04 51.6 lm/W P4.06 58.5 lm/W P4.08 60.5 lm/W
Max. qty of fixture length per N3 power feed	40
Max total run length, including cable, per N3	100ft

### ACCESSORIES

N3 Satellite	N3IND1RECBK
N3 Satellite Plenum Rated	N3IND1PLEBK



DETAIL A  
SCALE 1 : 5

<sup>1</sup> All performance measurements taken with fixture stabilized at 25°C ambient, 100% power input, unless otherwise stated, within CCT range of 2700 - 5000K.

<sup>2</sup> Lumen measurement complies with IES LM-79-08 testing procedures.

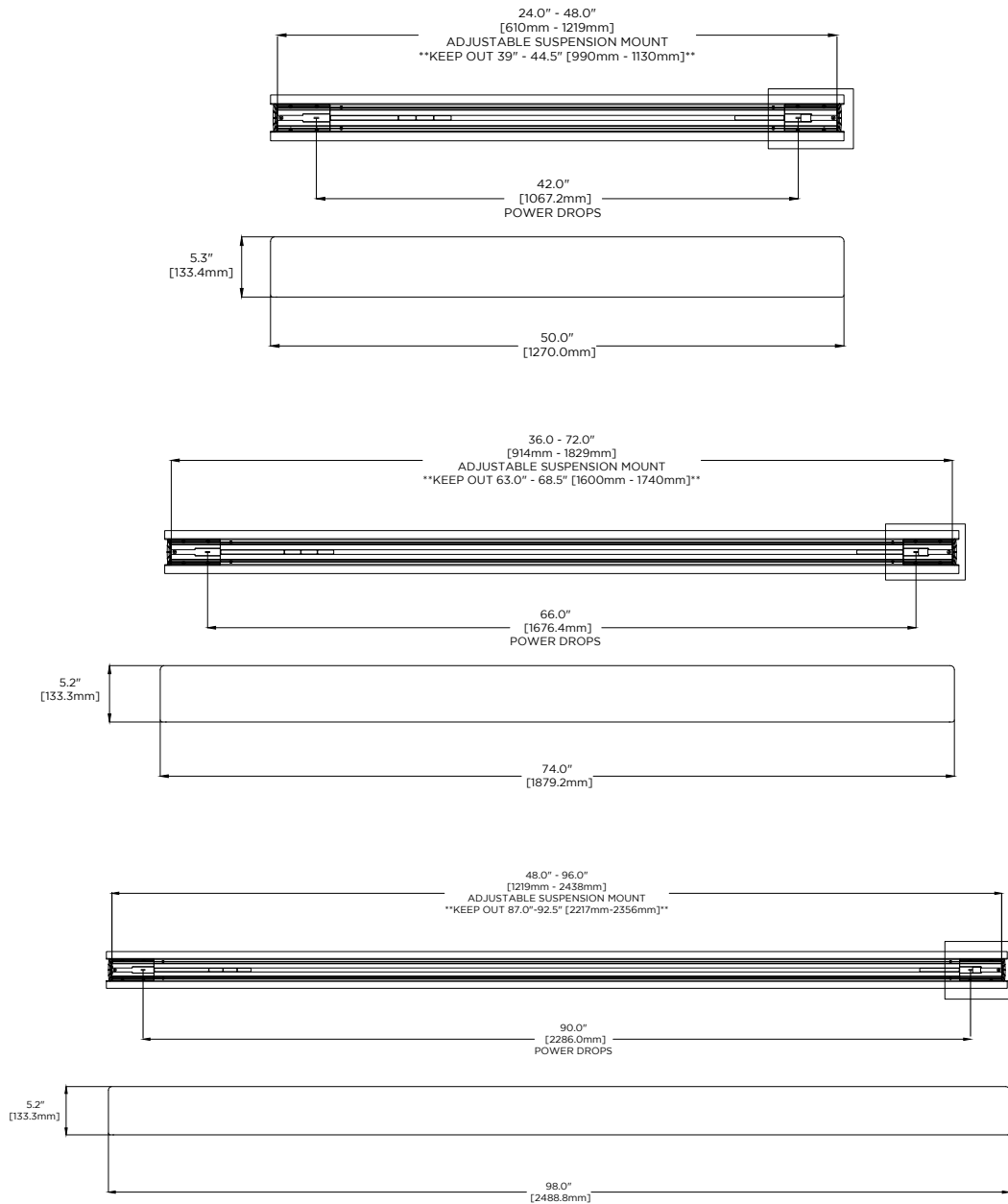
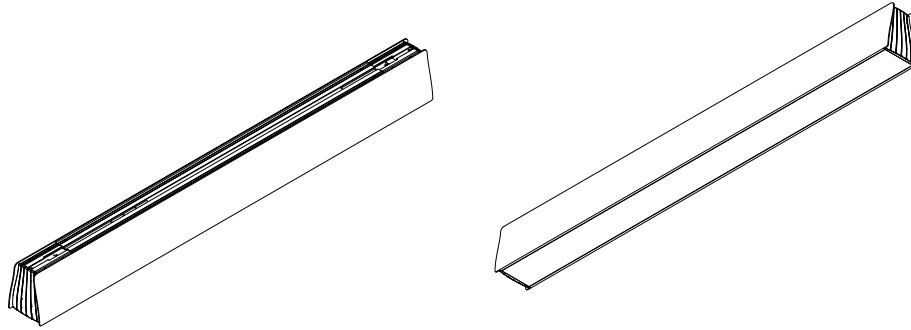
<sup>3</sup> Lumen maintenance values calculated in accordance to TM-21 procedures based on LM-80 compliant measurement data.

<sup>4</sup> Intensity and color point controlled via Ketra's wireless network

# KETRA

P4 4" WIDE PENDANT

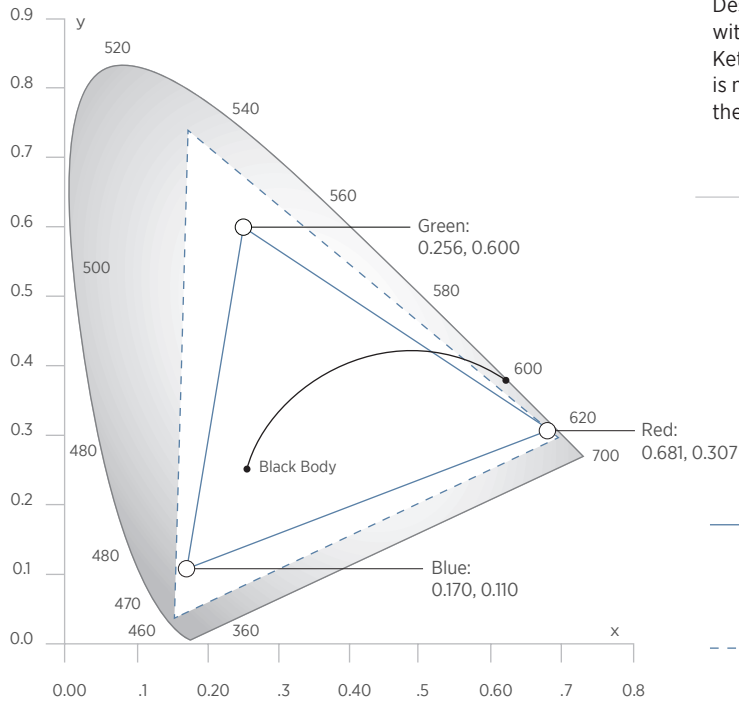
## DIMENSION DRAWINGS



770-000041-01-r14  
Specifications are subject to change without notice

## WIDE GAMUT

CIE 1931 Color Chart



Ketra's P4 Linear Pendant can easily be configured via our intuitive Design Studio software. The product can reproduce any color point within the triangle shaped gamut indicated in this illustration. With Ketra's innovative optical and thermal feedback system, the color point is maintained to an accuracy of <1 MacAdam ellipse over the lifetime of the product and across operating temperature range.

- **Calibrated Gamut:** Color point is maintained to an accuracy of <1 MacAdam ellipse over the lifetime of the product and across operating temperature range.
- - - **Expanded Gamut:** Color calibration is relaxed such that each product produces the most saturated color it is capable of.

## GENERAL SPECIFICATIONS

LED Luminaire shall employ closed loop optical and thermal feedback capable of maintaining color point accuracy of <1 MacAdam ellipse.

LED Luminaire shall have color spatial uniformity of <2 MacAdam ellipses over full field angle.

LED Luminaire shall be capable of a CRI >90 at any point along the Black Body Curve from 2700 - 5000K.

LED Luminaire shall be a single source multi-die emitter.

LED Luminaire shall be sealed, meeting UL damp location and IP 20 requirements.

LED Luminaire shall be dimmable to 0.1% of measured luminous flux with digital dimming.

LED Luminaire shall be UL listed and RoHS compliant.

LED Luminaire shall be capable of in situ firmware and software upgrades.

Lamp shall be # \_\_\_\_\_