

# KETRA

## N4 HUB



Type: \_\_\_\_\_

Project: \_\_\_\_\_

Comments: \_\_\_\_\_

Prepared By: \_\_\_\_\_

Enables control by Design Studio and the Ketra app

Seamless integration between KNETs, allowing for installations with multiple N4s

Tabletop/wall-mounted and conduit-mounted mounting options

### PRODUCT DESCRIPTION

Ketra's N4 Hub forms a bridge between Ketra products and Ketra digital interfaces such as Design Studio and mobile app. With multiple N4s, a user can integrate KNETs, allowing for seamless installations no matter how large. With an Internet connection, the Hub can connect to Ketra's cloud servers to enable backup and remote maintenance functions.

### HARDWARE ORDERING GUIDE

Product Line	N4	14	Interface	BK
	Model	Region & Voltage		Housing Color
Example Order Code: <b>CMN4 14 TT BK</b>				
				Code
Product Line				
Commercial			<b>CM</b>	
Residential (Homeworks compatible)			<b>HW</b>	
Model				
N4 Hub			<b>N4</b>	
Region & Voltage				
North America, 100-277VAC 50/60Hz			<b>14</b>	
Interface				
Table Top			<b>TT</b>	
Conduit-Mounted			<b>CND</b>	
Housing Color				
Black			<b>BK</b>	

770-000024-01-r10  
Specifications are subject to change without notice

## PERFORMANCE SUMMARY

### ENVIRONMENTAL

Operating Temperature	-20° to 40°C
Storage Temperature	-20° to 80°C
Humidity	0 - 95%, Non-condensing
Certification	UL, cUL, FCC Class B, RoHS
Location <sup>1</sup>	UL Damp Location, IP20

### MECHANICAL

Weight	9.5oz / 0.27kg
Housing Material	Polymer

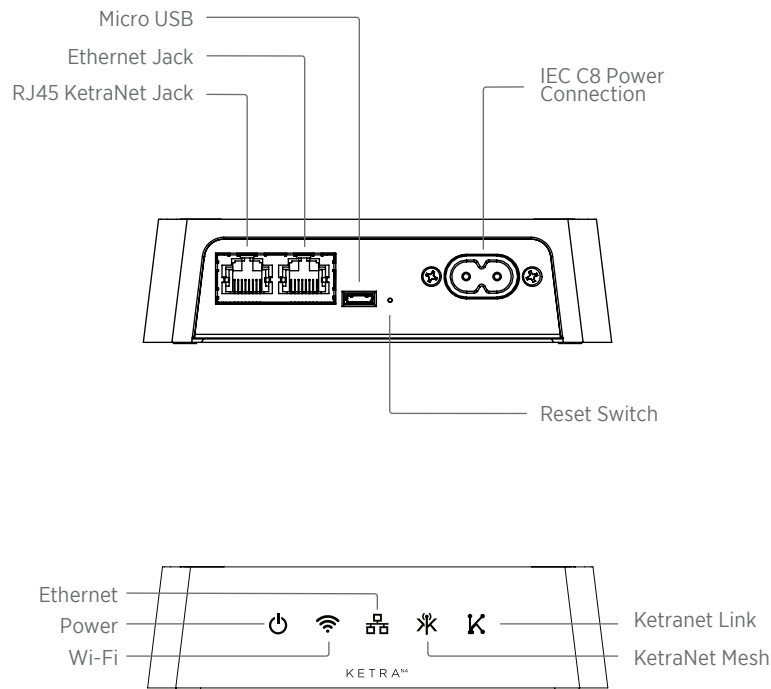
### POWER

Voltage	100-277VAC50/60Hz *
Unit consumes 5W electrical power	
Current: .041 Amps @ 120 VAC	

\* TT variant power cord (NEMA 1-15P/SPT-2) limited to 125VAC

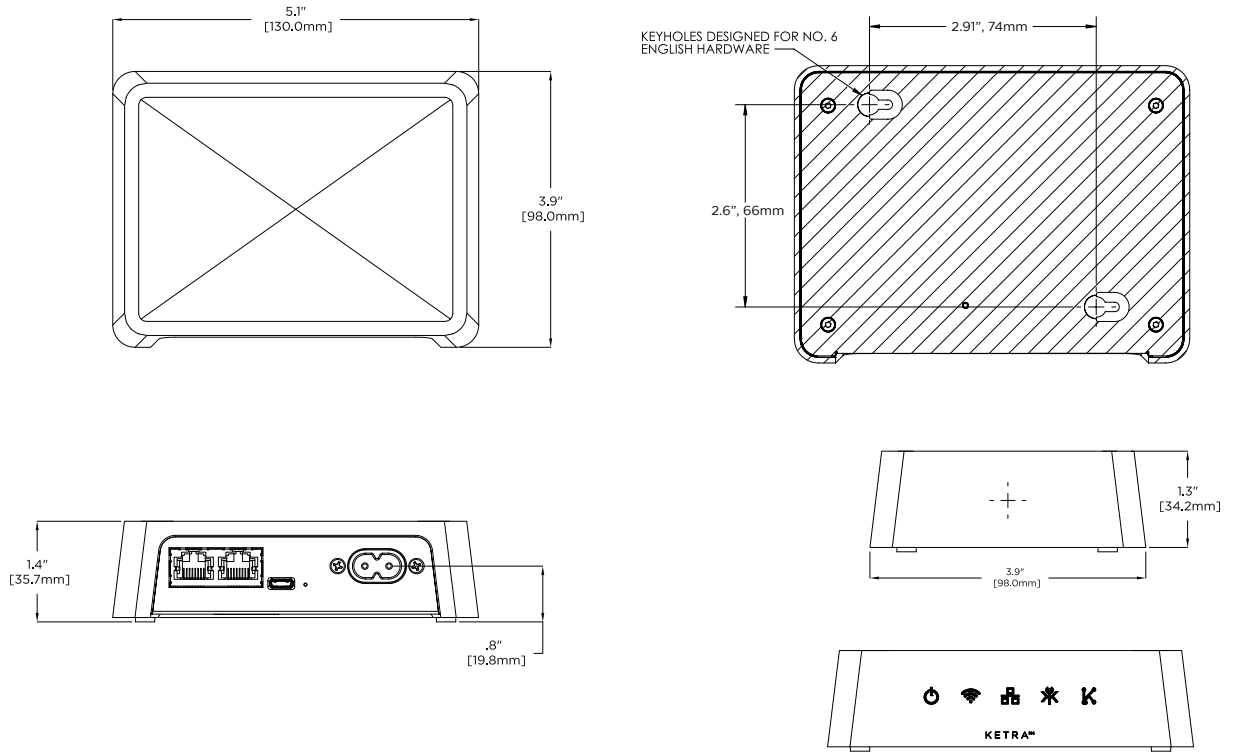
### ENCLOSURE + CONNECTIONS

Connections (Class 1)	
AC Power In (Table Top)	IEC C8 Power Connection
AC Power In (Conduit)	18 AWG Flying Leads
Connections (Class 1)	
Connectivity Technology	Wireless, Wired
Data Link Protocol	Ethernet, Fast Ethernet, IEEE 802.11b, IEEE 802.11g
KetraNet Mesh™ Wireless	
USB Port	1 - Micro-B USB console port, for firmware updates



<sup>1</sup> Product includes on-board wireless radio for communications. Do not enclose in metallic enclosure as it may impact radio performance.

## TABLE TOP



## CONDUIT MOUNTED

