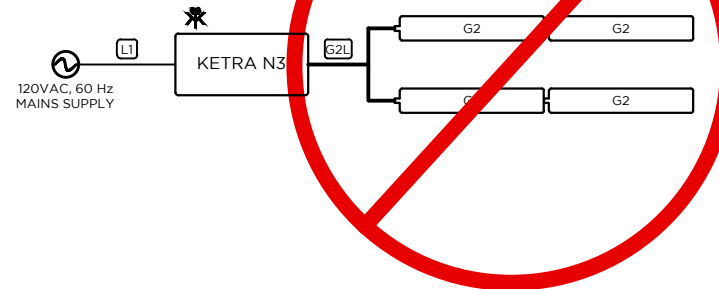
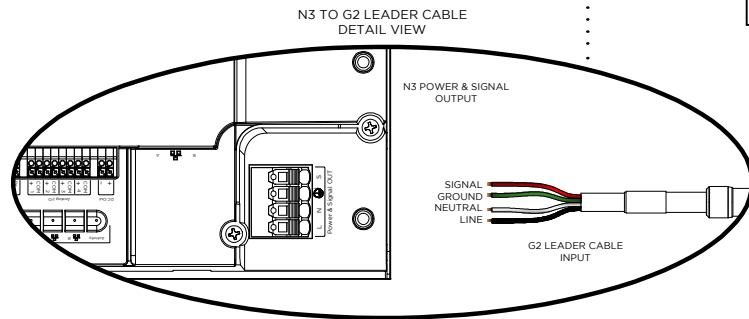
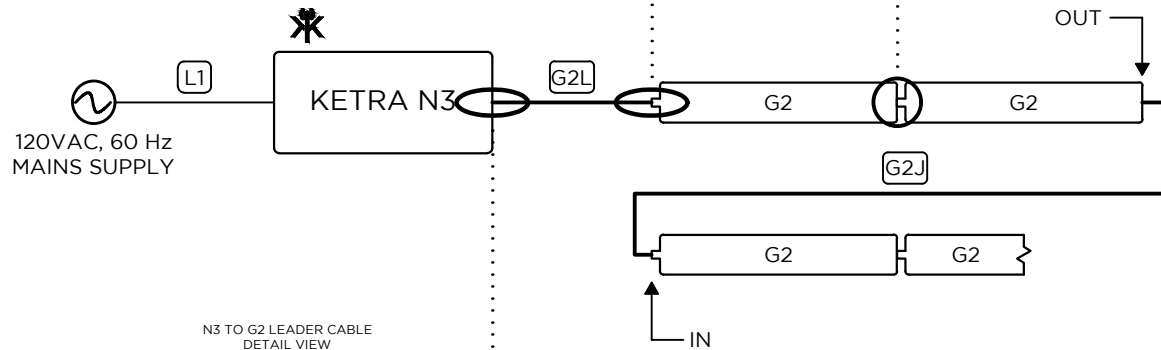
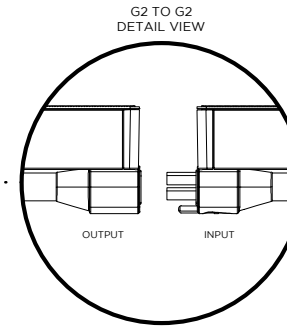
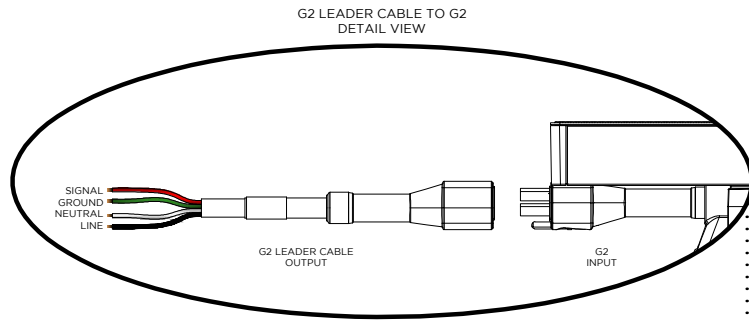


# KETRA

6321 E. STASSNEY LN.  
SUITE 13-400  
AUSTIN, TX 78744  
P: 512.347.1100

## GENERAL NOTES:

1. KETRANET MESH IS KETRA'S WIRELESS CONTROL PROTOCOL.
2. A NODE IS A KETRANET MESH ENABLED WIRELESS DEVICE.
3. 50 KETRANET MESH NODES MAX. PER INSTALLATION NETWORK.
4. ALL KETRANET MESH NODES TO BE INSTALLED WITHIN 50'-0" RANGE OF THE NEAREST NODE.
5. PER N3:  
MAX. FIXTURE QTY: 40FT OF G2  
MAX. RUN LENGTH: 100FT



STAR TOPOLOGIES ARE NOT SUPPORTED

## KEY

- L1 12 AWG, 3 WIRE
- G2L KETRA G2 LEADER CABLE
- G2J KETRA G2 JUMPER CABLE
- KETRANET MESH WIRELESS NETWORK

FOR REFERENCE ONLY  
NOT FOR  
CONSTRUCTION

DRAWING TYPE: OL  
DRAWING #:  
REVISION #: 00  
DATE: 04/11/2016  
DRAWN BY: CEH  
CHECKED BY: GEB  
SCALE: NTS

SHEET NAME  
KETRA N3 TO G2

SHEET  
1 OF 1