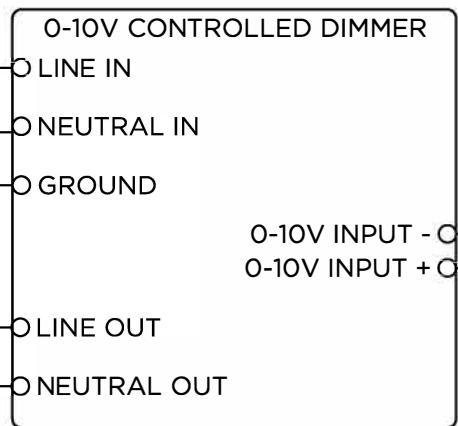
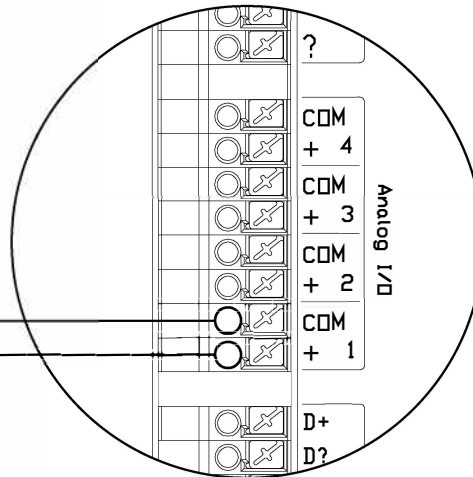


120VAC, 60 Hz
MAINS SUPPLY

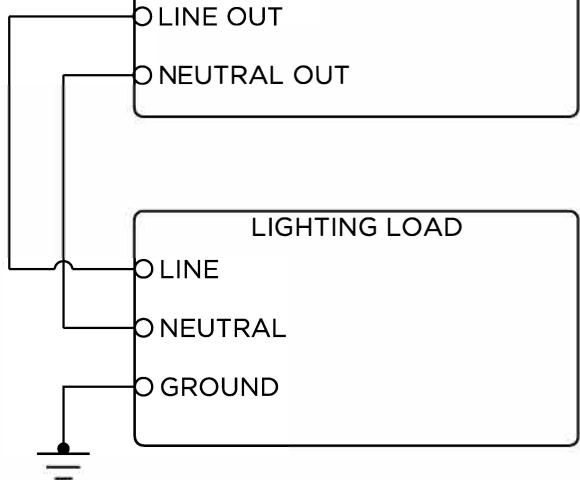
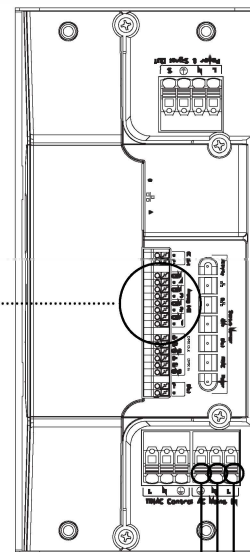


0-10V INPUT -
0-10V INPUT +



N3 DETAIL VIEW

KETRA N3



120VAC,
60 Hz
MAINS SUPPLY



TITLE:	KETRA N3 0-10V TO DIMMER	WHERE USED:	N3 0-10V TO 3RD PARTY 0-10V DIM
PROJECT:	WIRING DIAGRAM	NOTES:	
REVISION#:	2	NOTES:	
		UNITS:	N/A
		SCALE:	NTS
		PAPER SIZE:	8.5" X 11"
		DATE:	5/25/15