

KETRA

S38 TRACK LUMINAIRE

Type: _____
 Project: _____
 Comments: _____
 Prepared By: _____



Leverage the full feature set of Ketra's S38 LED Lamp

Constant torque hinge provides 90° of tilt aiming at any increment, without the need for a mechanical lock

365° of rotation eliminates any aiming shadows

Configurable with industry standard track systems and conduit mount option

HARDWARE ORDERING GUIDE

<input type="text"/>	<input type="text"/>	<input type="text"/>	<input type="text"/>	<input type="text"/>	<input type="text"/>	<input type="text"/>	<input type="text"/>	<input type="text"/>	<input type="text"/>	<input type="text"/>
Product Line	Series	Form Factor	Lumens	Platform & Control	Beam Angle	Region	Base Type	Adapter Type	Housing Color	Accessory Type

Example Order Code: **CM-TA S38 09 BT FL 11 G24 H WH SNT55**

	Code		Code		Code
Product Line		Platform & Control (see page 3 color chart)		Adapter Type	
Commercial	CM-	Wide Gamut, Tunable	BT	"H-Type" Compatible	H
Residential (Homeworks compatible)	HW-			½" NPT Canopy Mount	N
Model		Beam Angle		Housing Color	
Track Luminaire	TA	Track Adapter Only	-	White	WH
		Spot (10°)	SP	Black	BK
Form Factor		Flood (25°)	FL	Accessory Type	
S38	S38	Wide Flood (40°)	WFL	Short Snoot 5° cutoff	SNT55
		Very Wide Flood (60°)	VFL	Tall Snoot 30° cutoff	SNT30
Lumens		Region/ Voltage		Hex Louver 45° cutoff, includes SNT55	LUV45
S38-900lm	09	North America, 120VAC 60Hz	11	Baffle 15° cutoff, includes SNT30	BFL15
S38-1100lm ¹	11	Base Type		No Accessory	NA
		GU24	G24		

¹ This option is not available for sale in California.

KETRA

S38 TRACK LUMINAIRE

SPECIFICATIONS¹

OPTICAL PERFORMANCE

Lumen Output ²	900 lm/ 1100 lm
CRI (Ra) ³	>90 (R9>90)
Lumen Maintenance ⁴	36,000 hours to L70 @ 25°C T _A
Color Spatial Uniformity	<2 MacAdam ellipses across field angle
Color Point Maintenance	<1 MacAdam ellipse over product lifetime
Equivalent Traditional Lamp	75W/ 100W halogen PAR38
Dimming Range ⁵	0.1-100% lm

ENVIRONMENTAL

Operating Temperature (T _A) ⁶	0-50°C
Storage Temperature	-20-80°C
Humidity	0-95%, Non-condensing
Certification	UL, cUL, RoHS, FCC Class B
Location	UL Damp Location, IP20, Suitable for use in fully enclosed luminaires

MECHANICAL

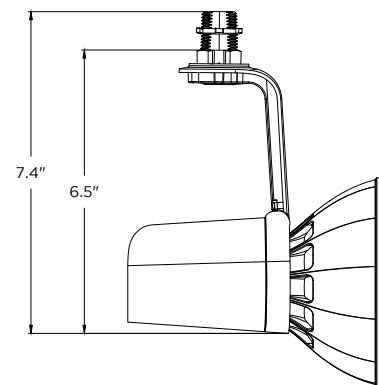
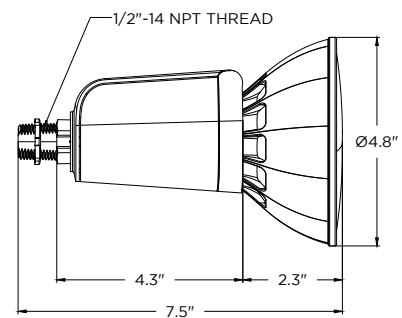
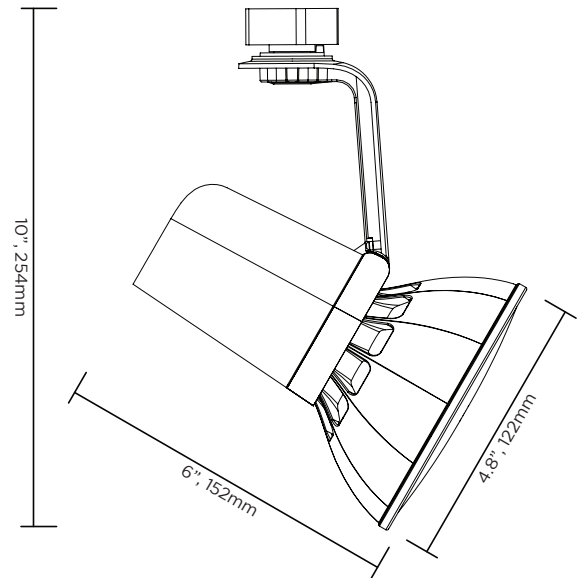
Weight	13.8 oz, 390 g
Housing Material	Powder Coated Aluminum, Polymer
Lens Material	Non-yellowing PMMA
Base Type	GU24

ELECTRICAL

Power Consumption	S38.09 13W/ S38.11 18W
Power Factor	>0.9
Current	170 mA Max
Efficacy	S38.09 69 lm/W / S38.11 62 lm/W

ACCESSORIES

S38 Accessory Snoot 30° cutoff, White	S38ASNT30WH
S38 Accessory Snoot 30° cutoff, Black	S38ASNT30BK
S38 Accessory Snoot 55° cutoff, White	S38ASNT55WH
S38 Accessory Snoot 55° cutoff, Black	S38ASNT55BK
S38 Accessory Louver 45° cutoff, White (Includes S38ASNT55)	S38ALUV45WH
S38 Accessory Louver 45° cutoff, Black (Includes S38ASNT55)	S38ALUV45BK
S38 Accessory Baffle 15° cutoff, WH (Includes S38ASNT30)	S38ABFL15WH
S38 Accessory Baffle 15° cutoff, Black (Includes S38ASNT30)	S38ABFL15BK



CAD files available upon request

¹All performance measurements taken at 3000K, 25°C ambient, 100% power input, unless otherwise stated.

² Lumen measurement complies with IES LM-79-08 testing procedures.

³ See color gamut chart at the end of this document.

⁴ Lumen maintenance values calculated in accordance to TM-21 procedures based on LM-80 compliant measurement data.

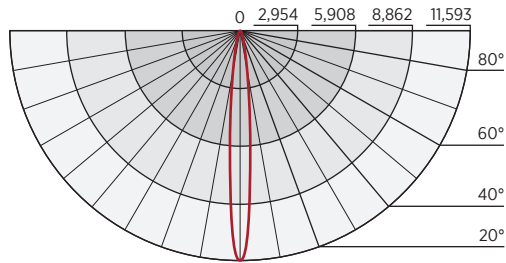
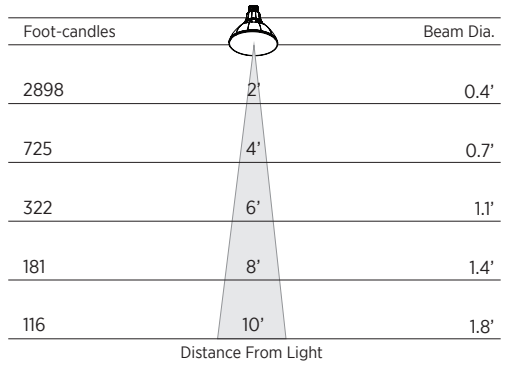
⁵ Intensity and color point controlled via Ketra's wireless network

⁶ Suitable for use in fully enclosed luminaires

S30 ISO FOOTCANDLE CHARTS:
2700 - 5000K VALUES ONLY
LM-79 compliant IES files available upon request.

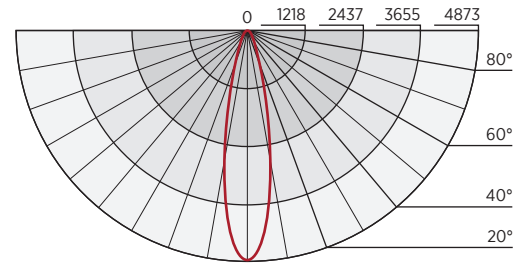
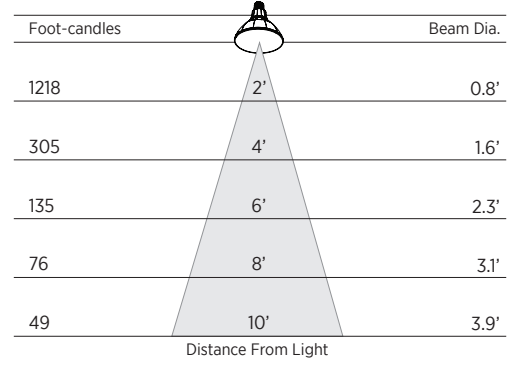
BEAM ANGLE: 10° SPOT (SP)

Product Code ¹	Wattage	Lumens	CBCP
S3811BTSP1E26WH	18W	1100	11,593



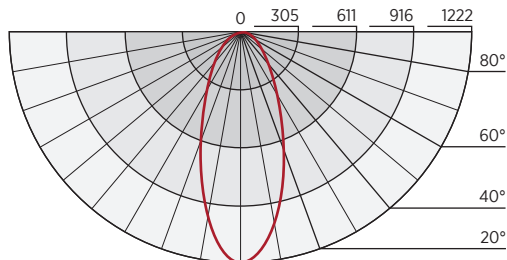
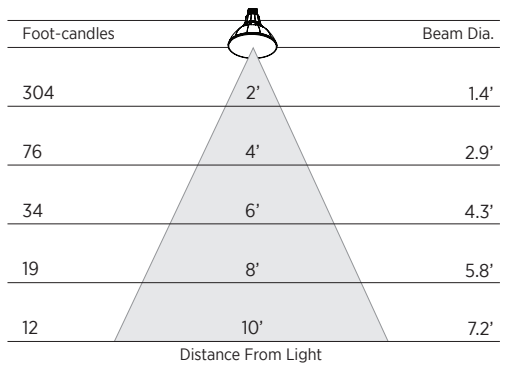
BEAM ANGLE: 25° FLOOD (FL)

Product Code ¹	Wattage	Lumens	CBCP
S3811BTFL1E26WH	18W	1100	4873



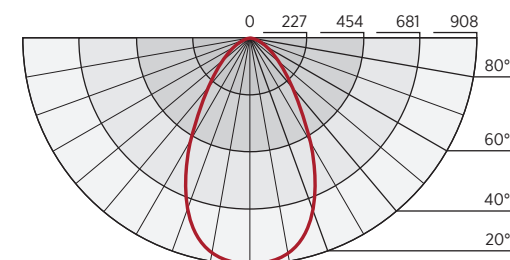
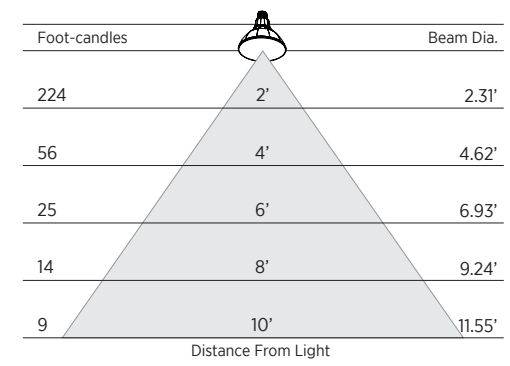
BEAM ANGLE: 40° WIDE FLOOD (WFL)

Product Code ¹	Wattage	Lumens	CBCP
S3811BTWFL1E26WH	18W	1100	1217



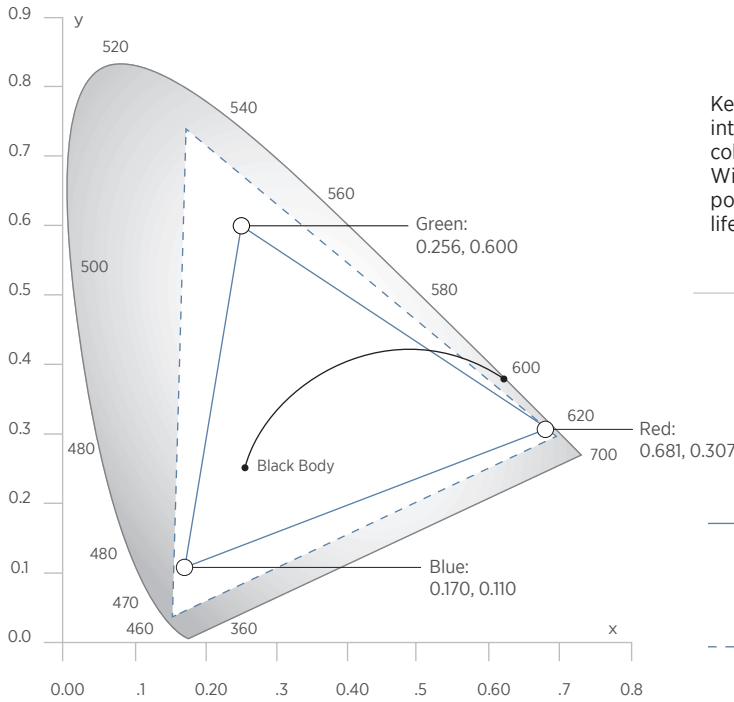
BEAM ANGLE: 60° VERY WIDE FLOOD (VFL)

Product Code ¹	Wattage	Lumens	CBCP
S3811BTVFL1E26WH	18W	1100	818



WIDE GAMUT

CIE 1931 Color Chart



Ketra's tunable spectrum lamp can easily be configured via our intuitive Design Studio software tool. The product can reproduce any color point within the triangle shaped gamut indicated in the chart below. With Ketra's innovative optical and thermal feedback system, the color point is maintained to an accuracy of <1 MacAdam ellipse over the lifetime of the product and across operating temperature range.

- Calibrated Gamut:** Color point is maintained to an accuracy of <1 MacAdam ellipse over the lifetime of the product and across operating temperature range.
- Expanded Gamut:** Color calibration is relaxed such that each product produces the most saturated color it is capable of.

GENERAL SPECIFICATIONS

LED Track Luminaire shall employ closed loop optical and thermal feedback capable of maintaining color point accuracy of <1 MacAdam ellipse.

LED Track Luminaire shall have color spatial uniformity of <2 MacAdam ellipses over full field angle.

LED Track Luminaire shall have an integrated wireless control on-board.

LED PAR38 lamp shall be capable of a CRI >90 at any point along the Black Body Curve from 2700 - 5000K.

LED Track Luminaire shall be a single source multi-die emitter consisting of both monochromatic and phosphor converted blue LED dye.

LED Track Luminaire shall be sealed, meeting UL damp location and IP50 requirements.

LED Track Luminaire shall be lamped with GU24 base lamps.

LED Track Luminaire shall be UL listed and RoHS compliant.

LED Track Luminaire shall be capable of in situ firmware and software upgrades.

Ketra LED Lamps are warranted to be free from material defects in material and workmanship for five (5) years or 25,000 hours from date of shipment, whichever is less

LED Track Luminaire shall be # _____