

# KETRA

## P4 4" WIDE PENDANT

Type: \_\_\_\_\_  
 Project: \_\_\_\_\_  
 Comments: \_\_\_\_\_  
 Prepared By: \_\_\_\_\_



High performance stand alone pendant fixture

Tunable spectrum single point source produces wide range of white, pastels & saturated colors

Closed-loop color point maintenance to <1 MacAdam ellipse over lifetime and temperature

Programmable digital dimming to 0.1%

Connects with Ketra's N3 Satellite for power, wireless control and connection to Ketra's library of light content

Ketra's technology ensures consistent appearance and guaranteed compatibility over LED technology generations

### HARDWARE ORDERING GUIDE

#### HOUSING

<input type="text"/>	<input type="text"/>	<input type="text"/>	<input type="text"/>	<input type="text"/>	<input type="text"/>	<input type="text"/>	<input type="text"/>	<input type="text"/>	<input type="text"/>
Product Line	P4 Model	Length	Lumens	BT Platform & Control	Lens Type	Region & Voltage	Housing Color	Ceiling Type	Aircraft Cable Length
<input type="text"/>	<input type="text"/>	<input type="text"/>	<input type="text"/>	<input type="text"/>	<input type="text"/>	<input type="text"/>	<input type="text"/>	<input type="text"/>	<input type="text"/>
Cabling	Cable Color	Canopy							

Example Order Code: **CM-P4 048 04 BT FO 11 MW C1 36 1 W 5W**

Product Line	Code	Lens Type	Code	Aircraft Cable Length	Code
Commercial	<b>CM-</b>	Flush Opal	<b>FO</b>	36 inches	<b>36</b>
Residential (Homeworks compatible)	<b>HW-</b>	Alzak Louver	<b>AL</b>	72 inches	<b>72</b>
Model	Code	Region & Voltage	Code	Cabling	Code
4" Wide Pendant	<b>P4</b>	North America, 120VAC 60Hz	<b>11</b>	Input Only (5" or 2" canopy for non-powered point)	<b>1</b>
		North America, 277VAC 60Hz	<b>12</b>	Input & Output (5" canopy only)	<b>2</b>
Length	Code	Housing Color	Code	Cable Color	Code
48 inches	<b>048</b>	Matte White	<b>MW</b>	White	<b>W</b>
72 inches	<b>072</b>	Matte Black	<b>MB</b>	Black	<b>B</b>
96 inches	<b>096</b>				
Lumens	Code	Ceiling Type	Code	Canopy	Code
400 lm/ft	<b>04</b>	Hard Ceiling	<b>C1</b>	5" White	<b>5W</b>
600 lm/ft	<b>06</b>	T-Bar	<b>C2</b>	2" White (non-powered point)	<b>2W</b>
800 lm/ft	<b>08</b>			5" Black	<b>5B</b>
				2" Black (non-powered point)	<b>2B</b>
Platform & Control	Code				
Wide Platform, Tunable	<b>BT</b>				

770-000041-01-r16  
 Specifications are subject to change without notice

# KETRA

P4 4" WIDE PENDANT

## SPECIFICATIONS<sup>1</sup>

### OPTICAL PERFORMANCE

Lumen Output <sup>2</sup>	P4.04 408lm/ft P4.06 608lm/ft P4.08 817lm/ft
CRI (Ra) <sup>3</sup>	>90
Lumen Maintenance <sup>3</sup>	50K Hours to L70@25°C Ambient
Color Spatial Uniformity <sup>3</sup>	<2 MacAdam ellipses across field angle
Color Point Range <sup>4</sup>	1,400-10,000K, Pastel and Saturate colors
Beam Angles	80x95°
Dimming Range <sup>4</sup>	0.1-100% lm output

### ENVIRONMENTAL

Ambient Operating Temperature	-20 to 50°C
Storage Temperature	-20 - 80°C
Humidity	0 - 95%, Non-condensing
Certification	UL, cUL, RoHS
Location	UL Damp Location, IP20

### MECHANICAL

Weight	1.35 lbs, 600 g
Housing Material	Powder Coated Aluminum, Polymer
Lens Material	Non-yellowing heat/ UV stabilized PMMA
Housing Material	Powder Coated Aluminum

### FORM FACTOR

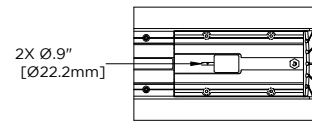
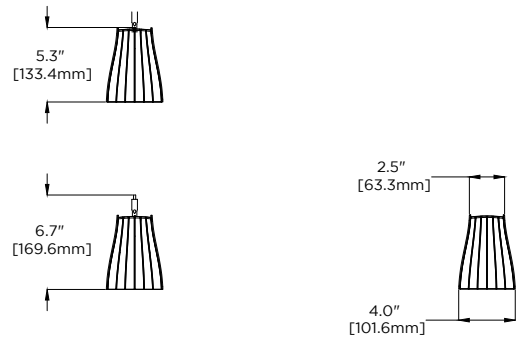
Dimensions	Length	Height	Width
	98"	5.3"	4"
	74"	(6.7" with mounting hardware)	
	50"		

### ELECTRICAL

Power consumption	P4.04 7.9W/ft P4.06 10.4 W/ft P4.08 13.5 W/ft
Power Factor	>0.9
Current	0.140 A/ft Max
Efficacy	P4.04 51.6 lm/W P4.06 58.5 lm/W P4.08 60.5 lm/W
Max. qty of fixture length per N3 power feed	40
Max total run length, including cable, per N3	100ft

### ACCESSORIES

N3 Satellite	N3IND1RECBK
N3 Satellite Plenum Rated	N3IND1PLEBK



DETAIL A  
SCALE 1 : 5

<sup>1</sup> All performance measurements taken with fixture stabilized at 25°C ambient, 100% power input, unless otherwise stated, within CCT range of 2700 - 5000K.

<sup>2</sup> Lumen measurement complies with IES LM-79-08 testing procedures.

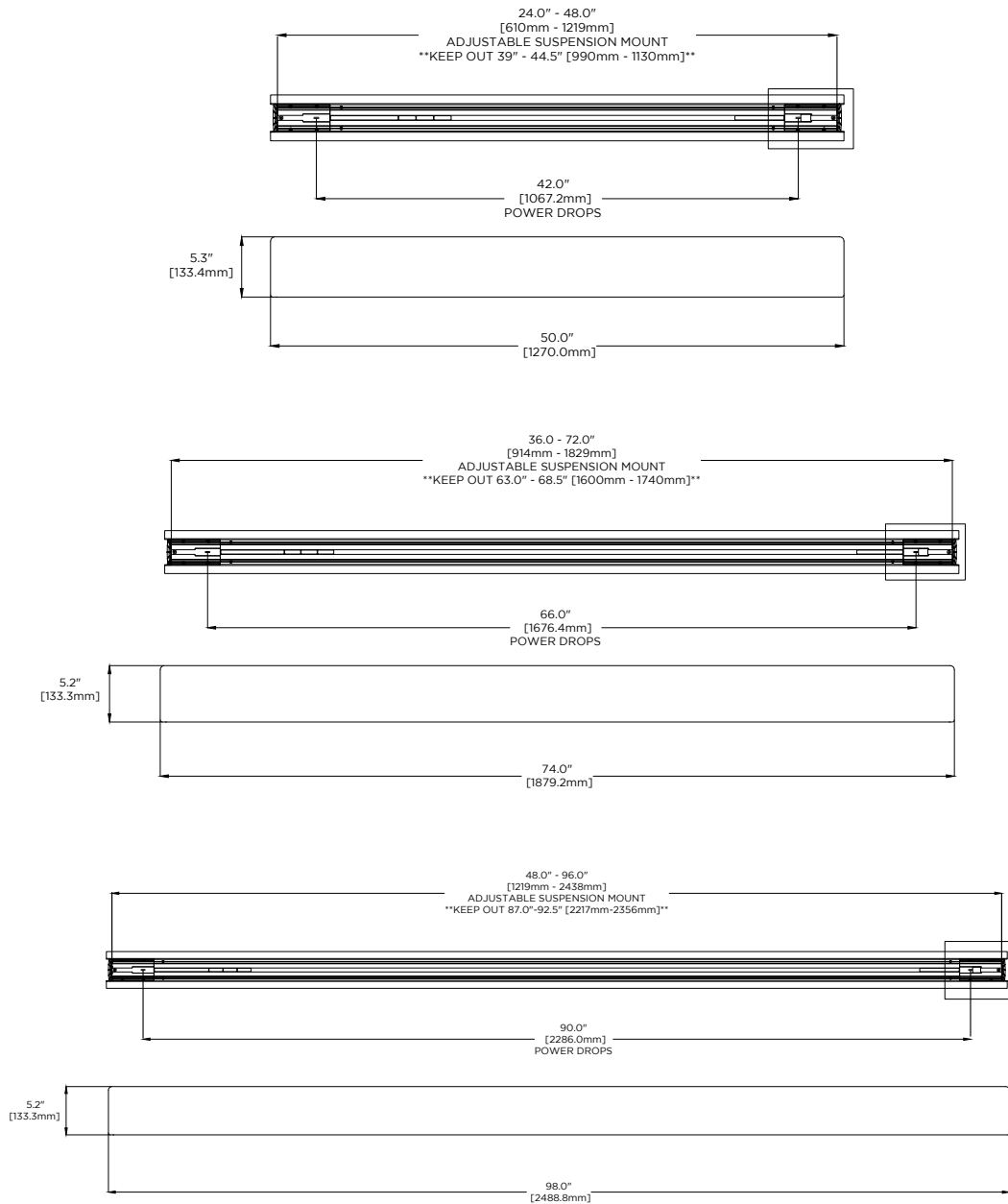
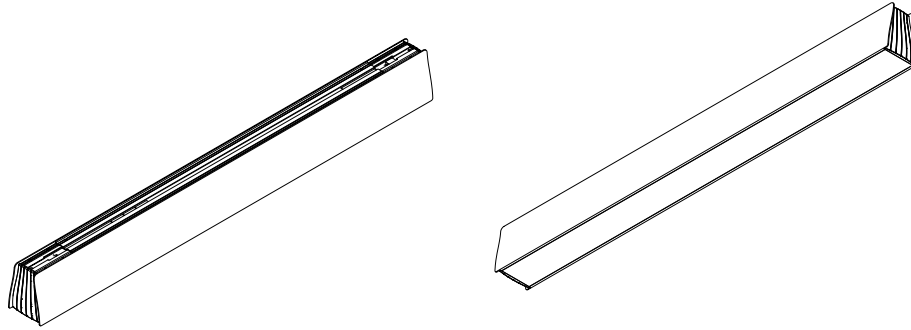
<sup>3</sup> Lumen maintenance values calculated in accordance to TM-21 procedures based on LM-80 compliant measurement data.

<sup>4</sup> Intensity and color point controlled via Ketra's wireless network

# KETRA

P4 4" WIDE PENDANT

## DIMENSION DRAWINGS



770-000041-01-r16  
Specifications are subject to change without notice

## DIAGNOSTIC REPORTING

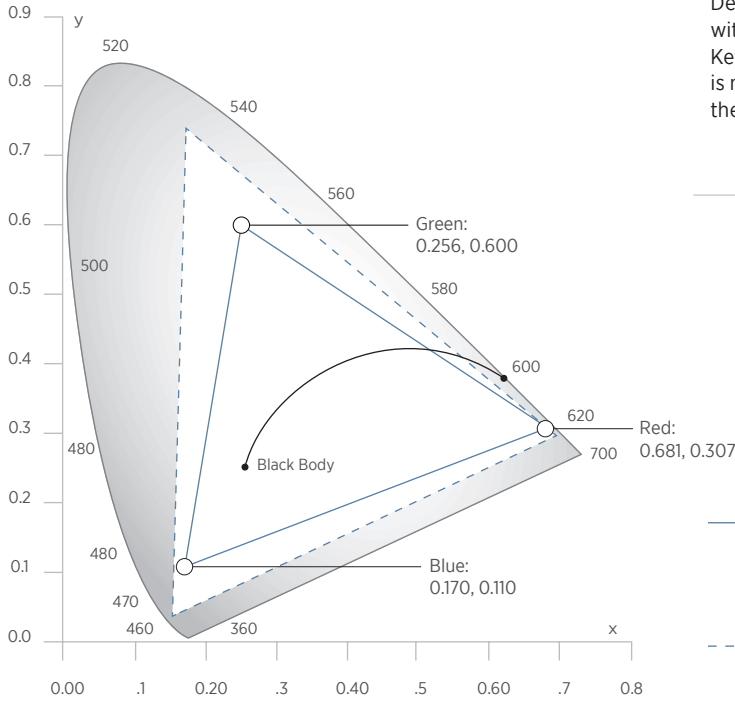
Prior to commissioning in Design Studio, Ketra's P4 Linear should power on to a default white state. If it powers on to some other color, that means there is a problem in the installation conditions. See the table below for each color's meaning.

Color	Condition	Correction
Red	Low input voltage on the power line	Ensure that the input voltage is 120V or 277V, + or - 10%
Magenta	Signaling wire connection not detected	Cut power and reconnect the red conductor of the leader cable to the N3's "S" port
Red-Green-Blue Pattern	Line and neutral wiring switched	Cut power, and reverse line and neutral wiring
Red-Green Pattern*	Line and neutral wiring switched	Cut power, and reverse line and neutral wiring
Yellow	Multiple runs of G2 detected	Cut power and disconnect all but one run of G2. Only one run can be connected to a satellite
Turquoise	More than 40 G2 detected	Remove the turquoise linears and reboot the satellite
Green	More than 100ft run length detected (including cables and fixtures)	Remove excess cabling and/or fixtures, and reboot the satellite
Dark Blue		

\* for product ordered in 2019

## WIDE GAMUT

CIE 1931 Color Chart



Ketra's P4 Linear Pendant can easily be configured via our intuitive Design Studio software. The product can reproduce any color point within the triangle shaped gamut indicated in this illustration. With Ketra's innovative optical and thermal feedback system, the color point is maintained to an accuracy of <1 MacAdam ellipse over the lifetime of the product and across operating temperature range.

- Calibrated Gamut:** Color point is maintained to an accuracy of <1 MacAdam ellipse over the lifetime of the product and across operating temperature range.
- Expanded Gamut:** Color calibration is relaxed such that each product produces the most saturated color it is capable of.

## GENERAL SPECIFICATIONS

LED Luminaire shall employ closed loop optical and thermal feedback capable of maintaining color point accuracy of <1 MacAdam ellipse.

LED Luminaire shall have color spatial uniformity of <2 MacAdam ellipses over full field angle.

LED Luminaire shall be capable of a CRI >90 at any point along the Black Body Curve from 2700 - 5000K.

LED Luminaire shall be a single source multi-die emitter.

LED Luminaire shall be sealed, meeting UL damp location and IP 20 requirements.

LED Luminaire shall be dimmable to 0.1% of measured luminous flux with digital dimming.

LED Luminaire shall be UL listed and RoHS compliant.

LED Luminaire shall be capable of in situ firmware and software upgrades.

Lamp shall be # \_\_\_\_\_