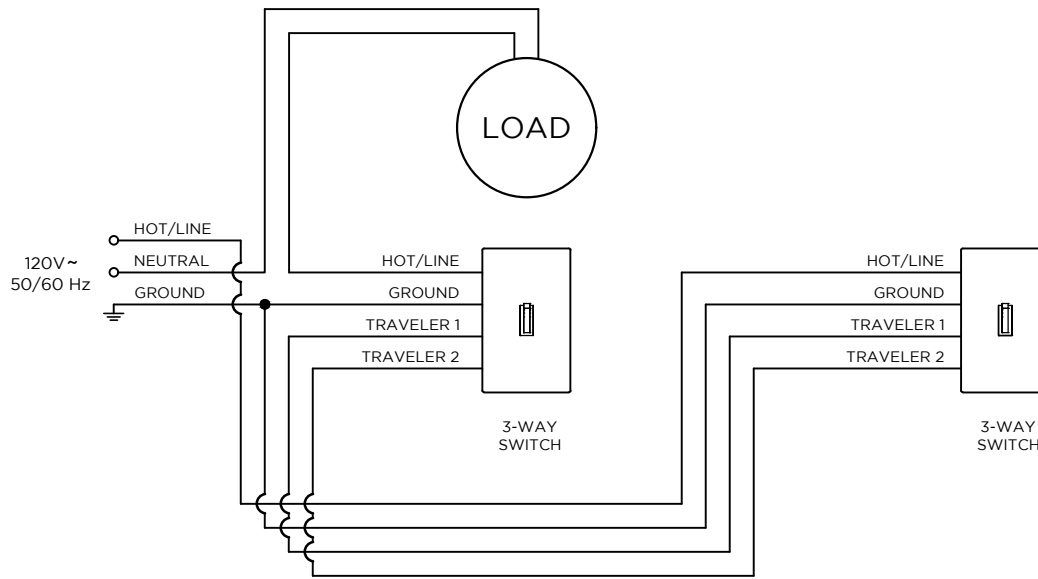


KETRA

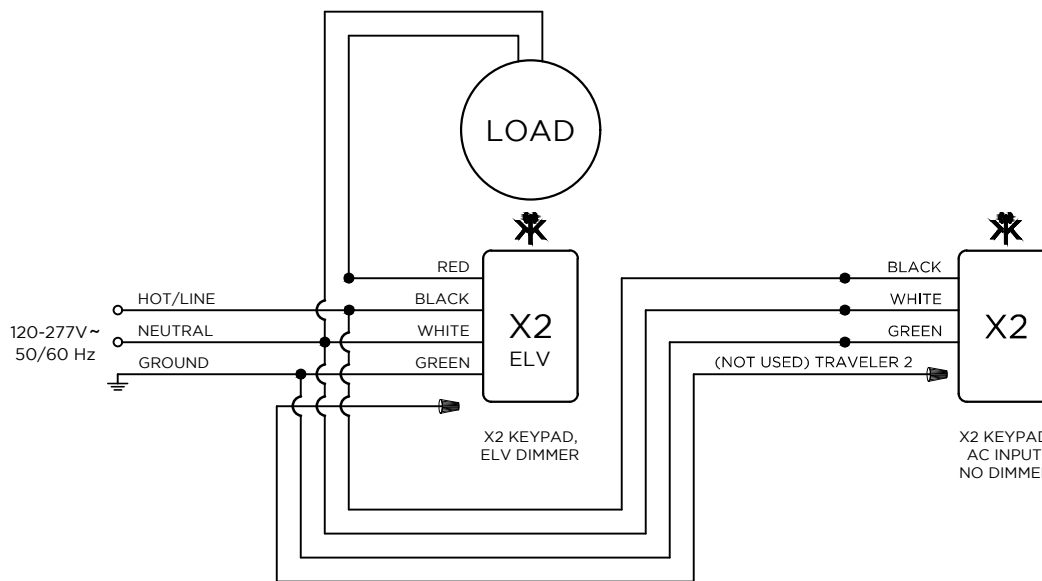
6321 E. STASSNEY LN.
SUITE 13-400
AUSTIN, TX 78744
P: 512.347.1100

GENERAL NOTES:

1. KETRANET MESH IS KETRA'S WIRELESS CONTROL PROTOCOL.
2. A NODE IS A KETRANET MESH ENABLED WIRELESS DEVICE.
3. 50 KETRANET MESH NODES MAX. PER INSTALLATION NETWORK.
4. ALL KETRANET MESH NODES TO BE INSTALLED WITHIN 50'-0" RANGE OF THE NEAREST NODE.



3-WAY SWITCH



X2 KEYPAD

FOR REFERENCE ONLY
NOT FOR
CONSTRUCTION

DRAWING TYPE: WD
DRAWING #:
REVISION #: 00
DATE: 05/23/2016
DRAWN BY: CEH
CHECKED BY: GEB
SCALE: NTS

SHEET NAME
KETRA X2 KEYPAD,
3-WAY SWITCH, LIGHT
BETWEEN SWITCHES

SHEET

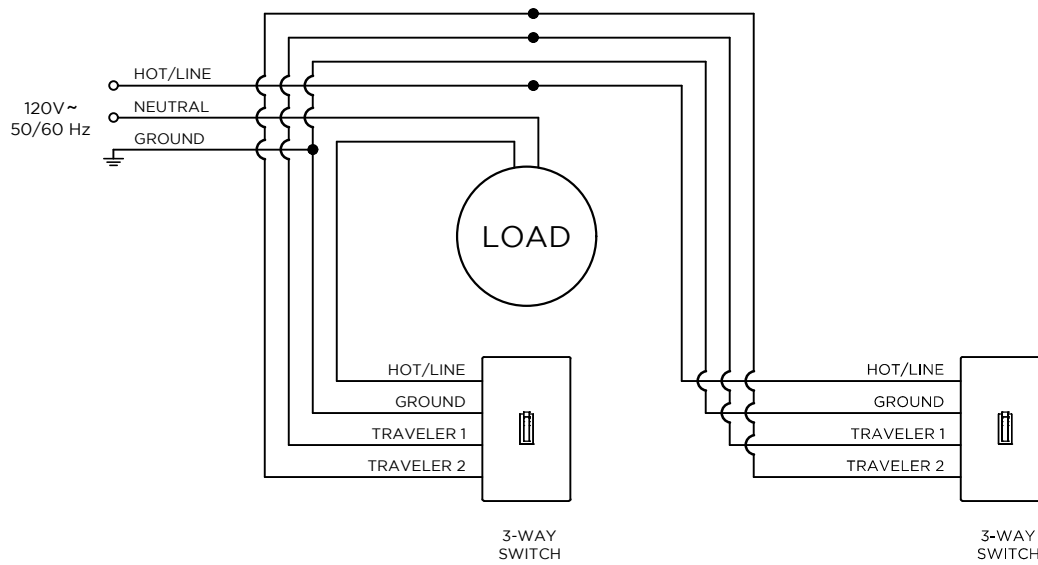
1 OF 2

KETRA

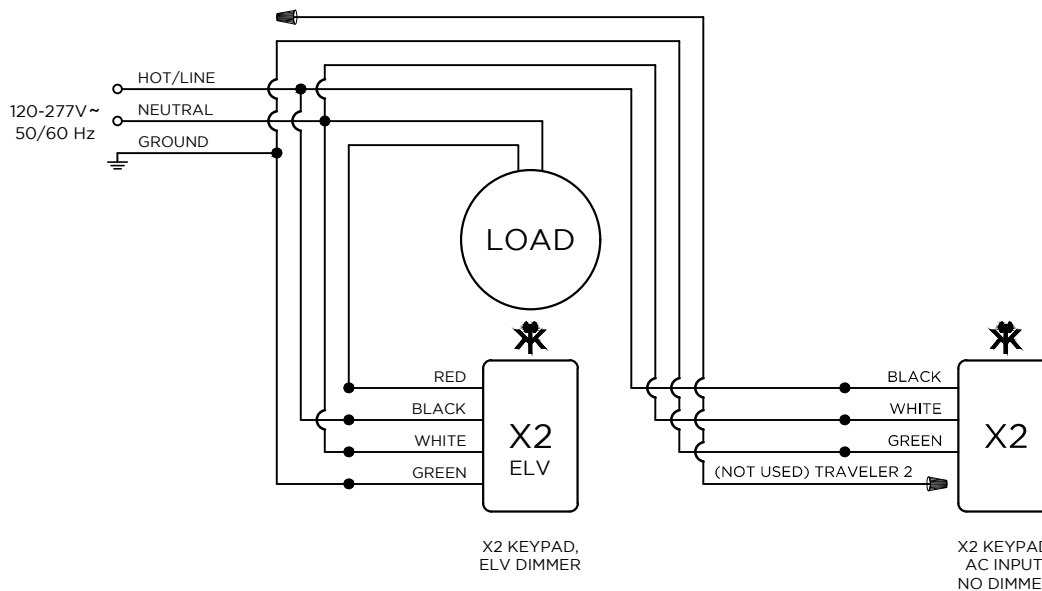
3815 S. CAPITAL OF TEXAS HWY
SUITE 100
AUSTIN, TX 78704
P: 512.347.1100

GENERAL NOTES:

1. KETRANET MESH IS KETRA'S WIRELESS CONTROL PROTOCOL.
2. A NODE IS A KETRANET MESH ENABLED WIRELESS DEVICE.
3. 50 KETRANET MESH NODES MAX. PER INSTALLATION NETWORK.
4. ALL KETRANET MESH NODES TO BE INSTALLED WITHIN 50'-0" RANGE OF THE NEAREST NODE.



3-WAY SWITCH



X2 KEYPAD

FOR REFERENCE ONLY
NOT FOR
CONSTRUCTION

DRAWING TYPE: WD
DRAWING #:
REVISION #: 00
DATE: 05/23/2016
DRAWN BY: CEH
CHECKED BY: GEB
SCALE: NTS

SHEET NAME
KETRA X2 KEYPAD,
3-WAY SWITCH,
POWER INTO LIGHT