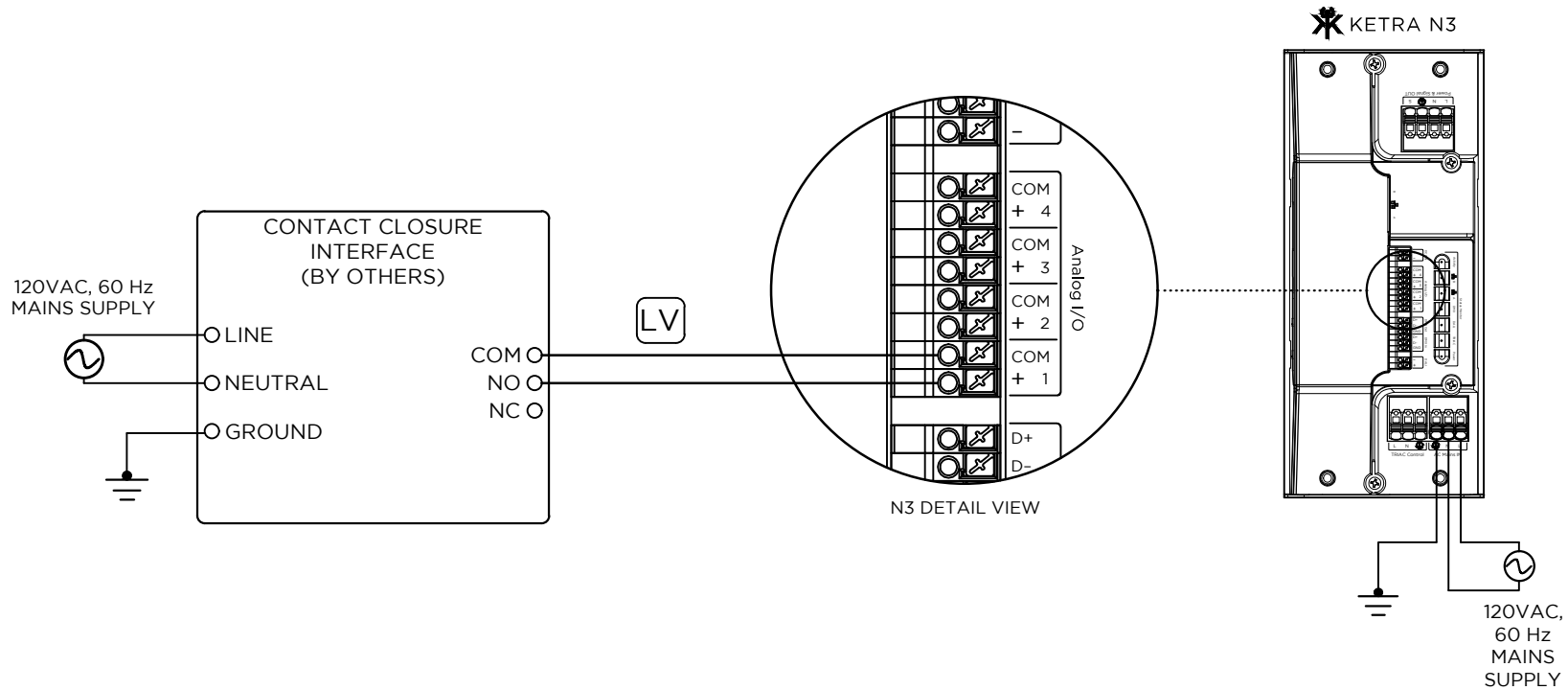


# KETRA

6312 E. STASSNEY LN.  
SUITE 13-400  
AUSTIN, TX 78744  
P: 512.347.1100

**GENERAL NOTES:**

1. KETRANET MESH IS KETRA'S WIRELESS CONTROL PROTOCOL.
2. A NODE IS A KETRANET MESH ENABLED WIRELESS DEVICE.
3. 50 KETRANET MESH NODES MAX. PER INSTALLATION NETWORK.
4. ALL KETRANET MESH NODES TO BE INSTALLED WITHIN 50'-0" RANGE OF THE NEAREST NODE.



KEY	
	16-24 AWG, 2 WIRE
	KETRANET MESH WIRELESS NETWORK

NOTE:  
KETRA N3 CAN BE CONFIGURED  
FOR NORMALLY OPEN OR  
NORMALLY CLOSED OPERATION.

FOR REFERENCE ONLY  
NOT FOR  
CONSTRUCTION

DRAWING TYPE: WD  
DRAWING #:  
REVISION #: 01  
DATE: 04/07/2016  
DRAWN BY: CEH  
CHECKED BY: GEB  
SCALE: NTS

SHEET NAME  
KETRA N3 TO  
CONTACT CLOSURE-IN

SHEET  
1 OF 1