

KETRA

P4 4" WIDE PENDANT

Type: _____
 Project: _____
 Comments: _____
 Prepared By: _____



High performance stand alone pendant fixture

Tunable spectrum single point source produces wide range of white, pastels & saturated colors

Closed-loop color point maintenance to <1 MacAdam ellipse over lifetime and temperature

Programmable digital dimming to 0.1%

Connects with Ketra's N3 Satellite for power, wireless control and connection to Ketra's library of light content

Ketra's technology ensures consistent appearance and guaranteed compatibility over LED technology generations

HARDWARE ORDERING GUIDE

HOUSING

<input type="text"/>	<input type="text"/>	<input type="text"/>	<input type="text"/>	<input type="text"/>	<input type="text"/>	<input type="text"/>	<input type="text"/>	<input type="text"/>	<input type="text"/>	
Product Line	P4	Length	Lumens	BT	Platform & Control	Lens Type	Region & Voltage	Housing Color	Ceiling Type	Aircraft Cable Length
<input type="text"/>	<input type="text"/>	<input type="text"/>	<input type="text"/>	<input type="text"/>	<input type="text"/>	<input type="text"/>	<input type="text"/>	<input type="text"/>	<input type="text"/>	<input type="text"/>
Cabling	Cable Color	Canopy								

Order Code:

Product Line	Code	Lens Type	Code	Aircraft Cable Length	Code
Commercial	CM-	Flush Opal	FO	36 inches	36
Residential (Homeworks compatible)	HW-	Alzak Louver	AL	72 inches	72
Model		Region & Voltage		Cabling	
4" Wide Pendant	P4	North America, 120VAC 60Hz	11	Input Only (5" or 2" canopy for non-powered point)	1
		North America, 277VAC 60Hz	12	Input & Output (5" canopy only)	2
Length		Housing Color		Cable Color	
48 inches	048	Matte White	MW	White	W
72 inches	072	Matte Black	MB	Black	B
96 inches	096				
Lumens		Ceiling Type		Canopy	
400 lm/ft	04	Hard Ceiling	C1	5" White	5W
600 lm/ft	06	T-Bar	C2	2" White (non-powered point)	2W
800 lm/ft	08			5" Black	5B
				2" Black (non-powered point)	2B
Platform & Control					
Wide Platform, Tunable	BT				

770-000041-01-r16
 Specifications are subject to change without notice

KETRA

P4 4" WIDE PENDANT

SPECIFICATIONS¹

OPTICAL PERFORMANCE

Lumen Output ²	P4.04 408lm/ft P4.06 608lm/ft P4.08 817lm/ft
CRI (Ra) ³	>90
Lumen Maintenance ³	50K Hours to L70@25°C Ambient
Color Spatial Uniformity ³	<2 MacAdam ellipses across field angle
Color Point Range ⁴	1,400-10,000K, Pastel and Saturate colors
Beam Angles	80x95°
Dimming Range ⁴	0.1-100% lm output

ENVIRONMENTAL

Ambient Operating Temperature	-20 to 50°C
Storage Temperature	-20 - 80°C
Humidity	0 - 95%, Non-condensing
Certification	UL, cUL, RoHS
Location	UL Damp Location, IP20

MECHANICAL

Weight	1.35 lbs, 600 g
Housing Material	Powder Coated Aluminum, Polymer
Lens Material	Non-yellowing heat/ UV stabilized PMMA
Housing Material	Powder Coated Aluminum

FORM FACTOR

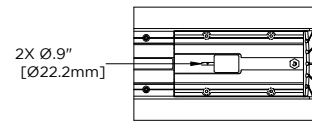
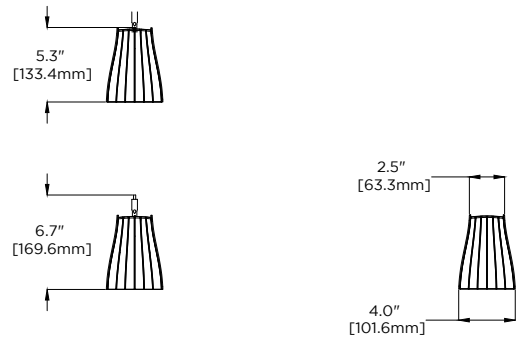
Dimensions	Length	Height	Width
	98"	5.3"	
	74"	(6.7" with mounting hardware)	4"
	50"		

ELECTRICAL

Power consumption	P4.04 7.9W/ft P4.06 10.4 W/ft P4.08 13.5 W/ft
Power Factor	>0.9
Current	0.140 A/ft Max
Efficacy	P4.04 51.6 lm/W P4.06 58.5 lm/W P4.08 60.5 lm/W
Max. qty of fixture length per N3 power feed	40
Max total run length, including cable, per N3	100ft

ACCESSORIES

N3 Satellite	N3IND1RECBK
N3 Satellite Plenum Rated	N3IND1PLEBK



DETAIL A
SCALE 1 : 5

¹ All performance measurements taken with fixture stabilized at 25°C ambient, 100% power input, unless otherwise stated, within CCT range of 2700 - 5000K.

² Lumen measurement complies with IES LM-79-08 testing procedures.

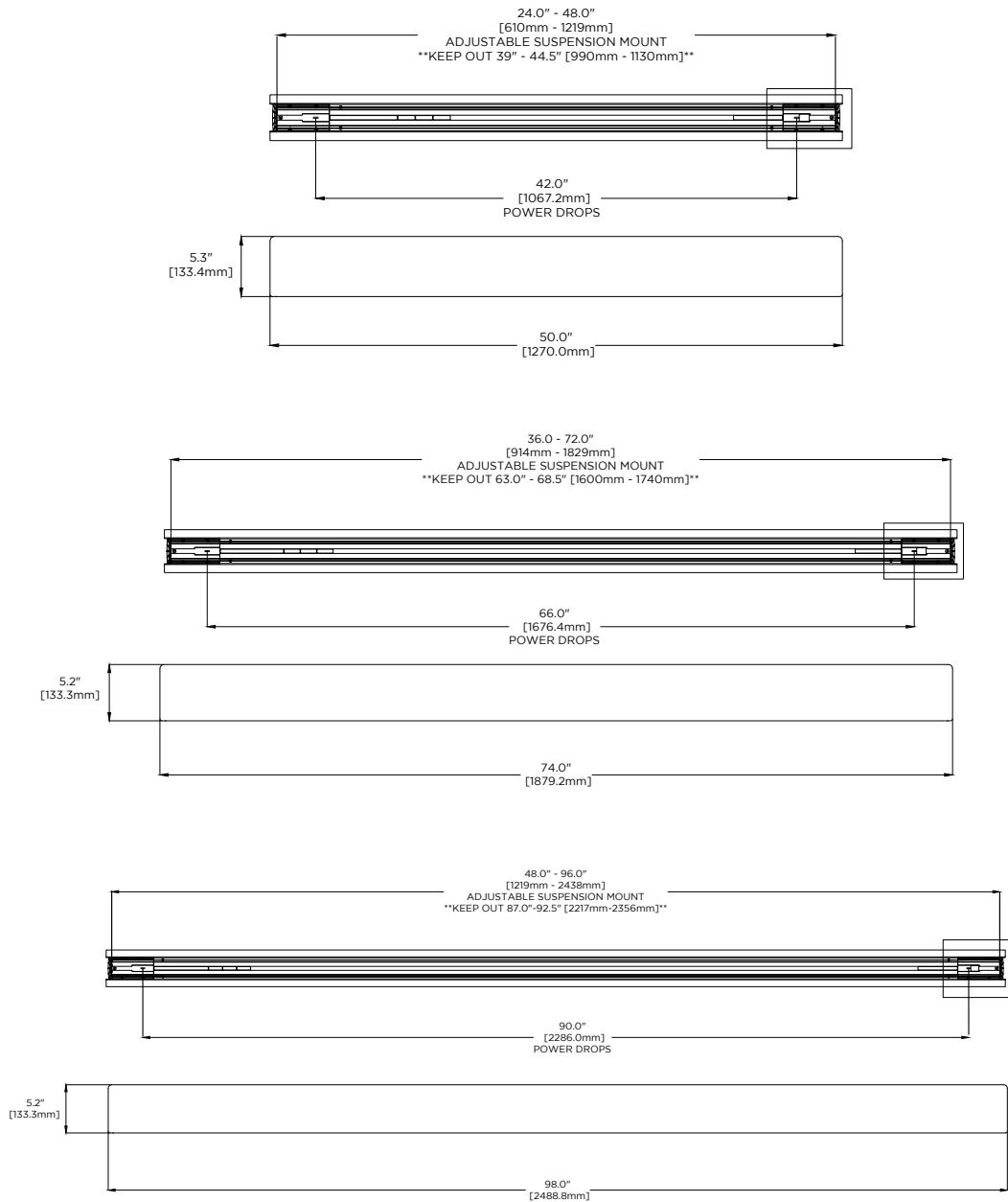
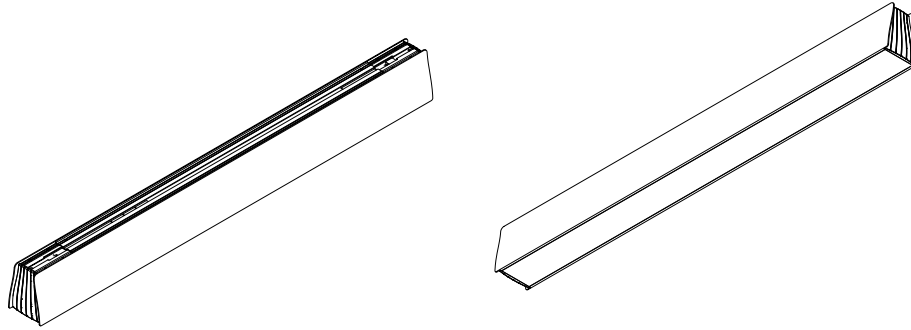
³ Lumen maintenance values calculated in accordance to TM-21 procedures based on LM-80 compliant measurement data.

⁴ Intensity and color point controlled via Ketra's wireless network

KETRA

P4 4" WIDE PENDANT

DIMENSION DRAWINGS



770-000041-01-r16
 Specifications are subject to change without notice

DIAGNOSTIC REPORTING

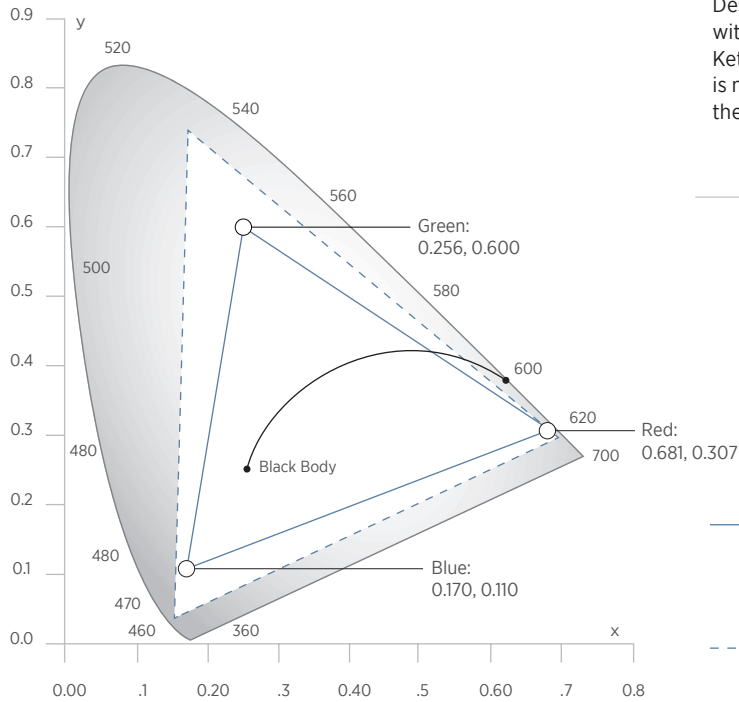
Prior to commissioning in Design Studio, Ketra's P4 Linear should power on to a default white state. If it powers on to some other color, that means there is a problem in the installation conditions. See the table below for each color's meaning.

Color	Condition	Correction
Red	Low input voltage on the power line	Ensure that the input voltage is 120V or 277V, + or - 10%
Magenta	Signaling wire connection not detected	Cut power and reconnect the red conductor of the leader cable to the N3's "S" port
Red-Green-Blue Pattern	Line and neutral wiring switched	Cut power, and reverse line and neutral wiring
Red-Green Pattern*	Line and neutral wiring switched	Cut power, and reverse line and neutral wiring
Yellow	Multiple runs of G2 detected	Cut power and disconnect all but one run of G2. Only one run can be connected to a satellite
Turquoise	More than 40 G2 detected	Remove the turquoise linears and reboot the satellite
Green	More than 100ft run length detected (including cables and fixtures)	Remove excess cabling and/or fixtures, and reboot the satellite
Dark Blue		

* for product ordered in 2019

WIDE GAMUT

CIE 1931 Color Chart



Ketra's P4 Linear Pendant can easily be configured via our intuitive Design Studio software. The product can reproduce any color point within the triangle shaped gamut indicated in this illustration. With Ketra's innovative optical and thermal feedback system, the color point is maintained to an accuracy of <1 MacAdam ellipse over the lifetime of the product and across operating temperature range.

- Calibrated Gamut:** Color point is maintained to an accuracy of <1 MacAdam ellipse over the lifetime of the product and across operating temperature range.
- Expanded Gamut:** Color calibration is relaxed such that each product produces the most saturated color it is capable of.

GENERAL SPECIFICATIONS

LED Luminaire shall employ closed loop optical and thermal feedback capable of maintaining color point accuracy of <1 MacAdam ellipse.

LED Luminaire shall have color spatial uniformity of <2 MacAdam ellipses over full field angle.

LED Luminaire shall be capable of a CRI >90 at any point along the Black Body Curve from 2700 - 5000K.

LED Luminaire shall be a single source multi-die emitter.

LED Luminaire shall be sealed, meeting UL damp location and IP 20 requirements.

LED Luminaire shall be dimmable to 0.1% of measured luminous flux with digital dimming.

LED Luminaire shall be UL listed and RoHS compliant.

LED Luminaire shall be capable of in situ firmware and software upgrades.

Lamp shall be # _____