

## N3 Satellite

Enables Ketra's luminaires to join the Ketra control network

Wireless network for easy installation

On-board content storage and astronomical time clock

Low voltage interface ports for interfacing with occupancy/vacancy and daylight sensors, 0-10 V, contact closure, and DMX devices <sup>1</sup>



### ORDERING GUIDE

Please download this PDF to use the interactive drop down features of the ordering guide.

Product Line	Model	16 Region /Voltage	Installation	BK Housing Color
--------------	-------	-----------------------	--------------	---------------------

Order code: \_\_\_\_\_

Product Line	Code	Region / Voltage	Code
Commercial (Athena compatible)	<b>CM-</b>	North America, 100-277 V~ 60 Hz	<b>16</b>
Residential (HomeWorks compatible)	<b>HW-</b>	<b>Installation</b>	
		Recessed Rated Housing	<b>REC</b>
		Plenum Rated Housing	<b>PLE</b>
<b>Model</b>		<b>Housing Color</b>	
KetraNet N3 Satellite Link	<b>N3IND</b>	Black	<b>BK</b>
CCX N3 Satellite Link <sup>2</sup>	<b>N3LTX</b>		

<sup>1</sup> Functionality will vary between the KetraNet and Clear Connect Type X versions of the N3.

<sup>2</sup> CCX stands for Clear Connect Type X.

## SPECIFICATIONS<sup>1</sup>

### Optical & Electrical Performance

Operating Ambient Temperature	-20 to 50 °C
Storage Temperature	-20 to 80 °C
Humidity	0 - 95%, Non-condensing
Certification	UL, cUL, FCC Class A, RoHS
Location <sup>1</sup>	UL Damp Location, IP20
Outdoor Use	Not for use in outdoor applications
Emergency Lighting	Evaluated by UL <sup>®</sup> for use in emergency lighting systems in accordance with standard UL <sup>®</sup> 924 and CSA C22.2 No. 141 when paired with the LVS™ model LUT-SHUNT-A-TD (UL <sup>®</sup> file E206507) and any/all Ketra linear fixtures (G2/L3I/L4R). See Lutron Application Note 106 (P/N 048106) at <a href="http://www.lutron.com">www.lutron.com</a> for wiring details. This is only applicable to CCX fixtures used in an Athena system.

### Mechanical

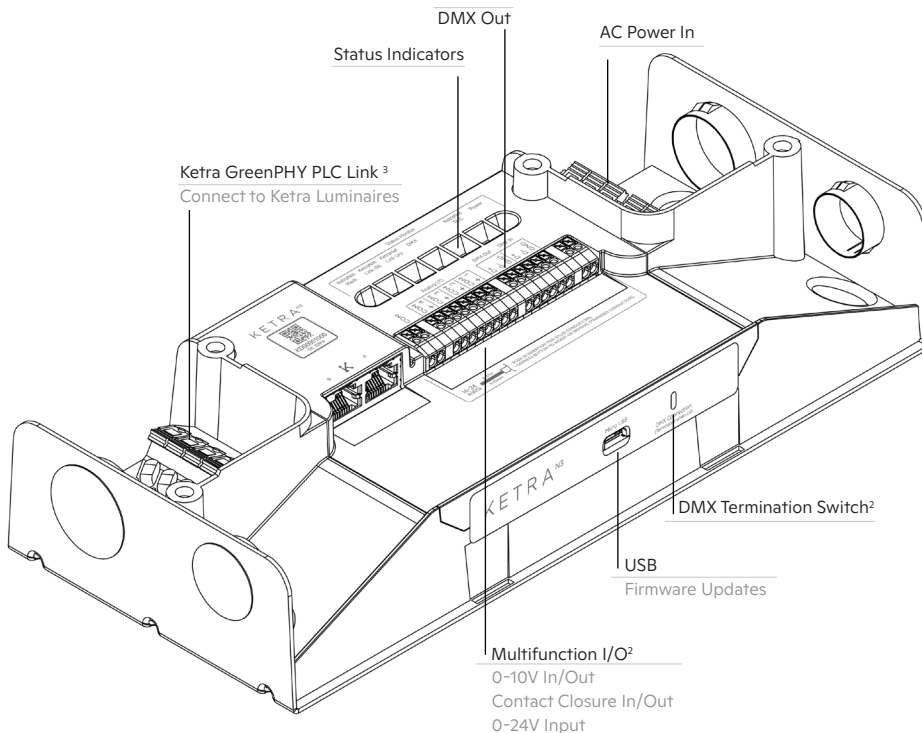
Weight	2.93 lbs, 1.33 kg
Housing Material	Formed Steel, Polymer

### Power

Load Ratings	Per Unit: 16 A @ 120 V~ 60 Hz (20 A de-rated to 80%)
Power Requirements	Unit consumes 5 W electrical power Current: 0.041 A @ 120 V~
To compute total load, add 5W to sum of all connected luminaire power ratings.	
Voltage	120-277 V~ 60 Hz

### Enclosure & Connections

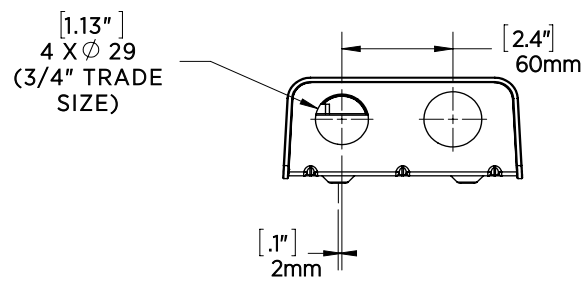
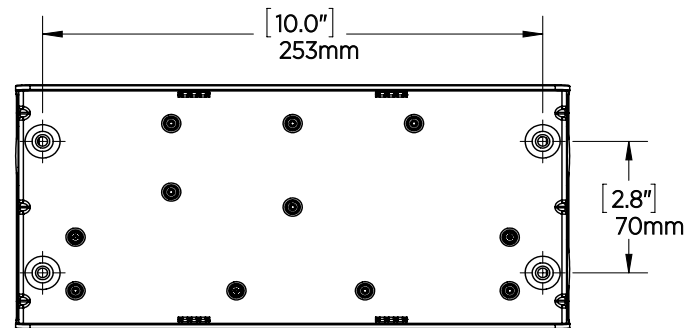
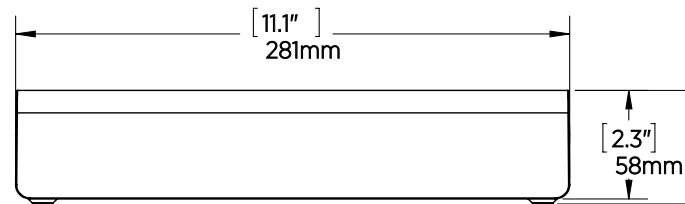
Connections (Class 1)	
AC Power In (3 Conductor 100-277 V~ 60Hz)	10 - 16 AWG (4 - 1 mm <sup>2</sup> )
AC Power Out (4 Conductor)	Standard Ketra Leader Cable or 10 - 16 AWG (4 - 1 mm <sup>2</sup> )
Connections (Class 2)	
Multifunction I/O (4 channels)	16 - 24 AWG (1 - 0.2 mm <sup>2</sup> )
<b>Max Voltage per channel:</b>	<b>30 V<sup>==</sup></b>
<b>0-10 V Input/Output</b>	
0-10 V Sinking	
Max Current Per Channel:	100 mA
Max Total Current:	200 mA
0-10 V Current Sourcing	
Max Current Per Channel:	Less than 5 uA
<b>0-24 V Input</b>	
Voltage Range:	0 to 24 V
<b>Contact closure mode</b>	
Maximum output sink current (per channel):	1.0 A
Contact closure type for input and output:	Maintained contact closure only
Full Universe of DMX Out	
KetraNet Mesh Wireless	
USB Port	1 - Micro-B USB console port, for firmware updates



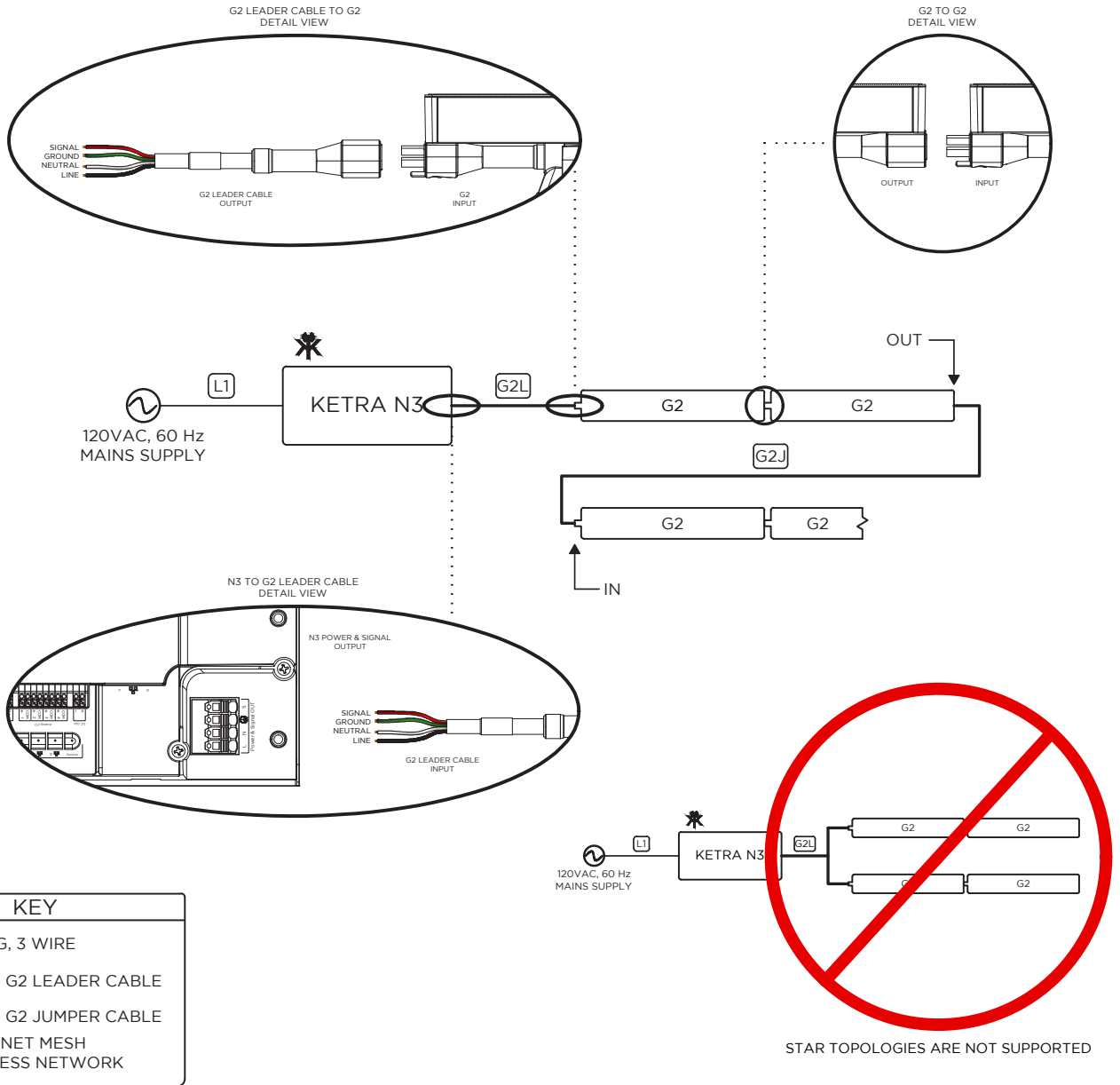
**Note:** USB port not accessible with cover installed. Allow clearance around product for access after installation.





<sup>1</sup> Product includes on-board wireless radio for communications. Do not enclose in metallic enclosure as it may impact radio performance.  
<sup>2</sup> Functionality will vary between the KetraNet and Clear Connect Type X versions of the N3.  
<sup>3</sup> Up to 40 ft (12 m) of luminaires and 100 ft (30 m) total length per N3.

### PRODUCT DIMENSIONS



**ONE LINE DIAGRAM**



KEY	
	12 AWG, 3 WIRE
	KETRA G2 LEADER CABLE
	KETRA G2 JUMPER CABLE
	KETRANET MESH WIRELESS NETWORK

The Ketra logo, Ketra, and KetraNet are trademarks or registered trademarks of Lutron Ketra, LLC, in the US and/or other countries. Clear Connect and Athena are trademarks or registered trademarks of Lutron Electronics Co., Inc. in the US and/or other countries. All other product names, logos, and brands are property of their respective owners.