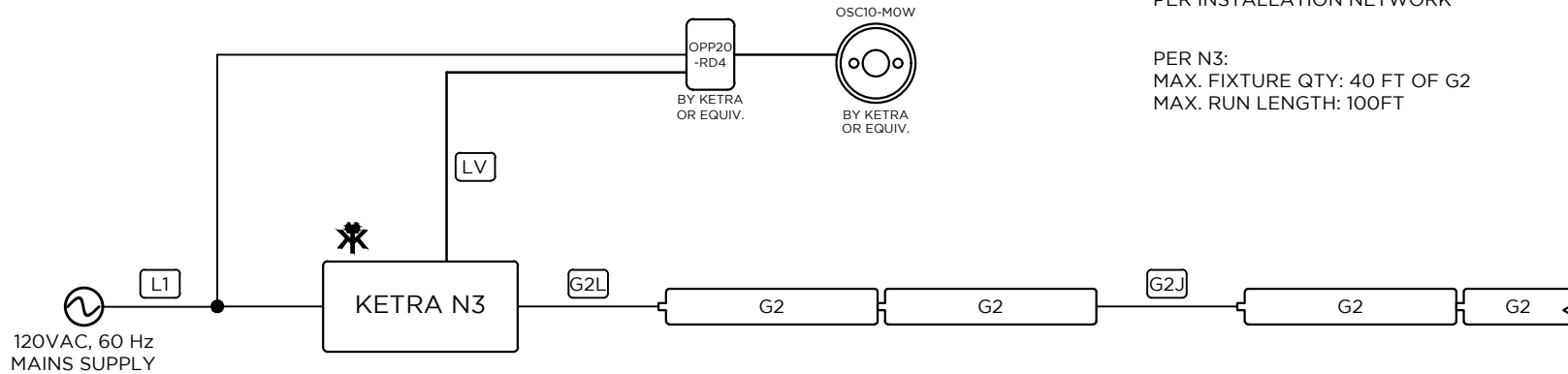


KETRA

6321 E. STASSNEY LN.
SUITE 13-400
AUSTIN, TX 78744
P: 512.347.1100

GENERAL NOTES:

1. KETRANET MESH IS KETRA'S WIRELESS CONTROL PROTOCOL.
2. A NODE IS A KETRANET MESH ENABLED WIRELESS DEVICE.
3. 50 KETRANET MESH NODES MAX. PER INSTALLATION NETWORK.
4. ALL KETRANET MESH NODES TO BE INSTALLED WITHIN 50'-0" RANGE OF THE NEAREST NODE.
5. PER N3:
MAX. FIXTURE QTY: 40FT OF G2
MAX. RUN LENGTH: 100FT



FOR REFERENCE ONLY
NOT FOR
CONSTRUCTION


DRAWING TYPE: WD
DRAWING #:
REVISION #: 00
DATE: 08/03/2016
DRAWN BY: CEH
CHECKED BY: TH
SCALE: NTS

SHEET NAME
KETRA, N3, G2,
OSC10-MOW

SHEET

1 OF 1

KEY

- L1 12 AWG, 3 WIRE
- LV 16-24 AWG, 2 WIRE
- G2L KETRA G2 LEADER CABLE
- G2J KETRA G2 JUMPER CABLE
-  KETRANET MESH WIRELESS NETWORK