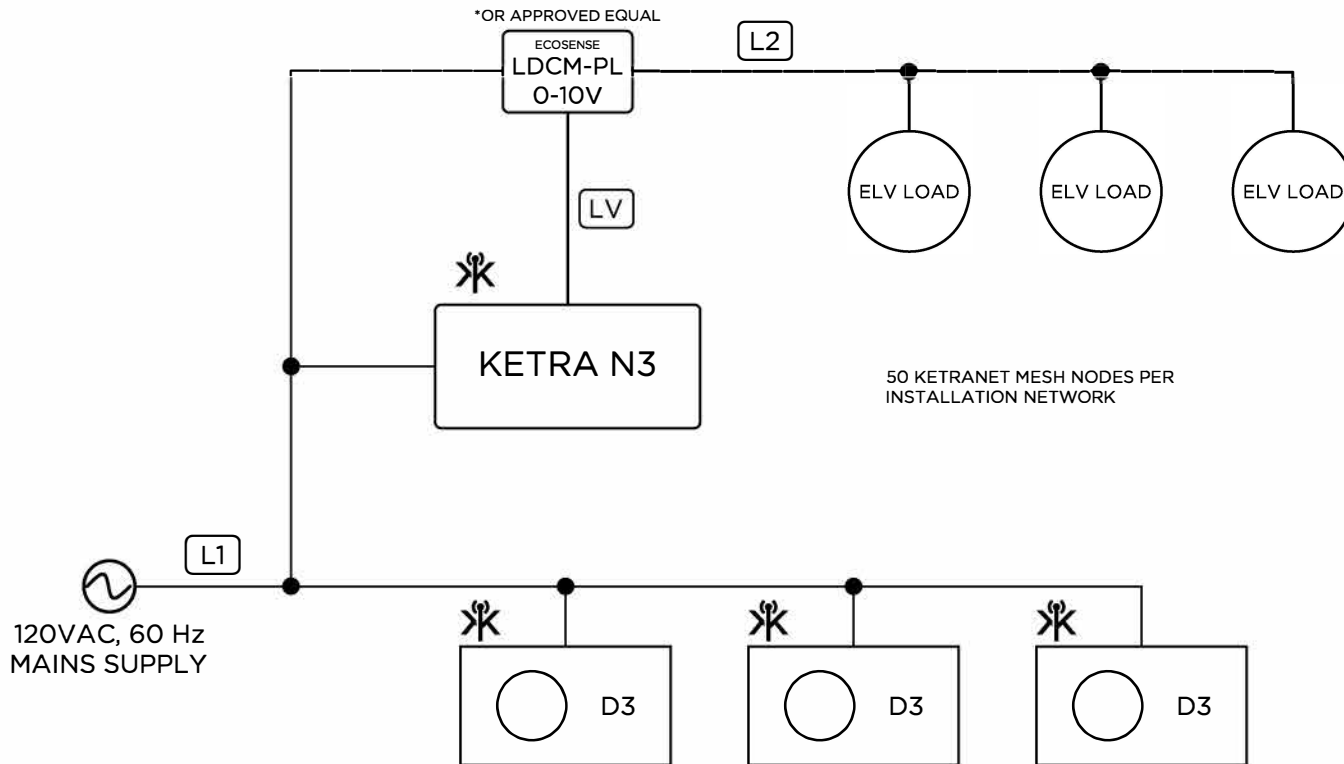


KETRA

6321 E. STASSNEY LN.
SUITE 13-400
AUSTIN, TX 78744
P: 512.347.1100

GENERAL NOTES:

1. KETRANET MESH IS KETRA'S WIRELESS CONTROL PROTOCOL.
2. A NODE IS A KETRANET MESH ENABLED WIRELESS DEVICE.
3. 50 KETRANET MESH NODES MAX. PER INSTALLATION NETWORK.
4. ALL KETRANET MESH NODES TO BE INSTALLED WITHIN 50'-0" RANGE OF THE NEAREST NODE.
5. MAX RUN PER LDCM UNIT BASED ON THE POWER CONSUMPTION OF THE FIXTURE.



FOR REFERENCE ONLY
NOT FOR
CONSTRUCTION

DRAWING TYPE: OL
DRAWING #:
REVISION #: 00
DATE: 01/17/2017
DRAWN BY: CEH
CHECKED BY: GEB
SCALE: NTS

SHEET NAME
KETRA N3, D3,
ELV LOAD

SHEET

1 OF 1

KEY	
L1	12 AWG, 3 WIRE
L2	12 AWG, 4 WIRE
LV	16-24 AWG, 2 WIRE
✱	KETRANET MESH WIRELESS NETWORK